



Profit from the Eagle Advantage®

Specification Sheet

Short Form Specifications

Eagle SPEC AIR® (Regular, Short Front) Front Discharge Make-Up Air Ventilation Hood, model _____. All heavy gauge type 430 stainless steel. Constructed per NFPA 96 with all seams welded liquid tight. Make-up air supplied through the hood, independent of ventilation system. Furnished with full length stainless steel grease trough; grease container; UL classified aluminum removable filters; UL vapor-proof incandescent light fixture; 3" airspace at rear, front and rear mounting channels; exhaust and supply collars.



regular hood—model #HEF96-66



hood with short front fascia—model #HESFA96-66

Options / Accessories

- 3" (76mm) air space on left end
- 3" (76mm) air space on right end
- Insulated back
- Insulated end(s)
- Stainless steel furring channel
- Stainless steel trim strips
- Stainless steel end panel
- Stainless steel wall panel
- Hood-mounted light switch
- Fire damper (fusible link - supply only)
- Extra exhaust collar
- Extra supply collar
- Extra vapor-proof light
- Spare grease filters
- Spare grease cups

EAGLE GROUP
100 Industrial Boulevard, Clayton, DE 19938-8903 USA
Phone: 302-653-3000 • Fax: 302-653-2065
www.eaglegrp.com

Foodservice Division: Phone 800-441-8440
MHC/Retail Display Divisions: Phone 800-637-5100

For custom configuration or fabrication needs, contact our **SpecFAB® Division**.
Phone: 302-653-3000 • Fax: 302-653-2065 • e-mail: quotes@eaglegrp.com

Spec sheets available for viewing, printing or downloading from our online literature library at www.eaglegrp.com

Eagle Foodservice Equipment, Eagle MHC, SpecFAB®, and Retail Display are divisions of Eagle Group. ©2018 by the Eagle Group

Item No.:	_____
Project No.:	_____
S.I.S. No.:	_____

SPEC AIR® Ventilation Hoods— Front Discharge Make-Up Air Exhaust Models

MODELS:

- | | | | |
|-----------------------------------|------------------------------------|-------------------------------------|--------------------------------------|
| <input type="checkbox"/> HEF96-48 | <input type="checkbox"/> HEF96-102 | <input type="checkbox"/> HESFA96-48 | <input type="checkbox"/> HESFA96-102 |
| <input type="checkbox"/> HEF96-54 | <input type="checkbox"/> HEF96-108 | <input type="checkbox"/> HESFA96-54 | <input type="checkbox"/> HESFA96-108 |
| <input type="checkbox"/> HEF96-60 | <input type="checkbox"/> HEF96-114 | <input type="checkbox"/> HESFA96-60 | <input type="checkbox"/> HESFA96-114 |
| <input type="checkbox"/> HEF96-66 | <input type="checkbox"/> HEF96-120 | <input type="checkbox"/> HESFA96-66 | <input type="checkbox"/> HESFA96-120 |
| <input type="checkbox"/> HEF96-72 | <input type="checkbox"/> HEF96-126 | <input type="checkbox"/> HESFA96-72 | <input type="checkbox"/> HESFA96-126 |
| <input type="checkbox"/> HEF96-78 | <input type="checkbox"/> HEF96-132 | <input type="checkbox"/> HESFA96-78 | <input type="checkbox"/> HESFA96-132 |
| <input type="checkbox"/> HEF96-84 | <input type="checkbox"/> HEF96-138 | <input type="checkbox"/> HESFA96-84 | <input type="checkbox"/> HESFA96-138 |
| <input type="checkbox"/> HEF96-90 | <input type="checkbox"/> HEF96-144 | <input type="checkbox"/> HESFA96-90 | <input type="checkbox"/> HESFA96-144 |
| <input type="checkbox"/> HEF96-96 | | <input type="checkbox"/> HESFA96-96 | |

Design and Construction Features*

- For use in commercial cooking such as restaurants, kitchens, fast food and deli.
- Front discharge make-up air exhaust ventilation hoods supply make-up air through the hood at ceiling level, therefore independent of other ventilation systems.
- Regular HEF Series and short front HESFA Series models (for low ceilings) are available.
- All models are 51" (1295mm) front-to-back and 24" (610mm) high.
- Supplies make-up air through the hood, independent of other ventilation systems.
- Heavy gauge type 430 stainless steel hood surfaces.
- Seams on the canopy are continuously liquid-tight.
- U.L.-listed vapor-proof incandescent light fixtures.
- U.L.-classified aluminum filters removable for easy cleaning.
- Full-length grease trough.
- Removable grease container.
- 3" (76mm) air space at rear.
- Exhaust and supply collars.
- Front and rear mounting channels.
- Regular and short front models.

* Models do not include installation supplies and materials, hanging of ventilator, exhaust and supply fans, curbs, ductwork, transitions, penetrating and sealing of roof or ceiling, trim, flashing, permits, fire protection system or tests, air balancing, electrical of any nature or any special requirements from local authorities.

Certifications / Approvals



NFPA-96



AutoQuotes



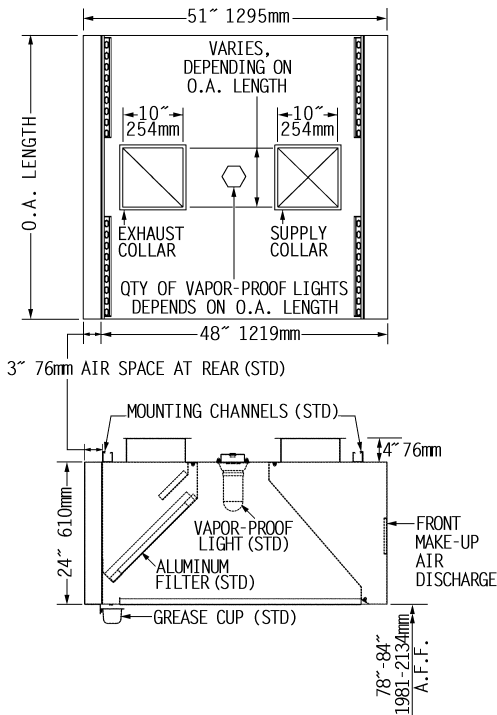


Profit from the Eagle Advantage®

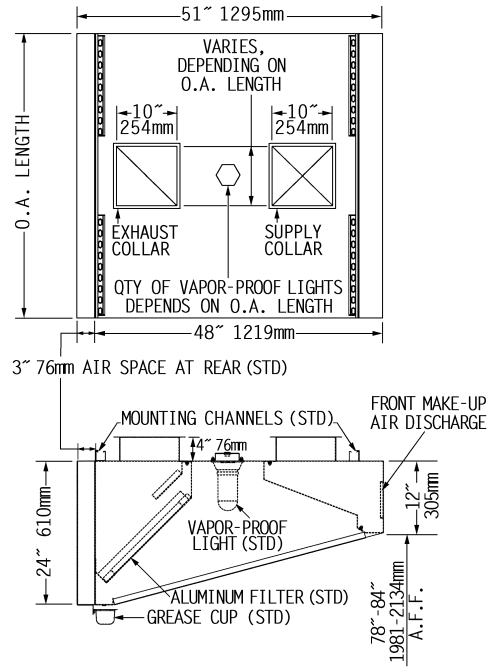
Item No.: _____
 Project No.: _____
 S.I.S. No.: _____

SPEC AIR® Ventilation Hoods— Front Discharge Make-Up Air Exhaust Models

HEF Series — Regular Hoods



HESFA Series — Short Front Hoods



REGULAR model #	SHORT FRONT model #	length		weight		Exhaust Collars				Supply Collars				# of lights	# of filters
		in.	mm	lbs.	kg	1800 FPM Exhaust CFM	# of exhaust collars	at 0.65" (16.5kg) S.P.		1100 FPM Supply CFM	# of supply collars	at 0.3" (7.6kg) S.P.			
								width in.	length mm			width in.	length mm		
HEF96-48	HESFA96-48	48"	1219	302	137.0	1600	1	10" 254	12 1/2" 324	1360	1	10" 254	18" 457	1	2
HEF96-54	HESFA96-54	54"	1372	339	153.8	1800	1	10" 254	14 1/2" 368	1530	1	10" 254	20" 508	1	2
HEF96-60	HESFA96-60	60"	1524	378	171.5	2000	1	10" 254	16" 406	1700	1	10" 254	22" 559	2	2
HEF96-66	HESFA96-66	66"	1676	415	188.2	2200	1	10" 254	17 1/2" 445	1870	1	10" 254	24 1/2" 622	2	3
HEF96-72	HESFA96-72	72"	1829	453	205.5	2400	1	10" 254	19" 483	2040	1	10" 254	26 1/2" 673	2	3
HEF96-78	HESFA96-78	78"	1981	491	222.7	2600	1	10" 254	20 3/4" 527	2210	1	10" 254	29" 737	2	3
HEF96-84	HESFA96-84	84"	2134	529	240.0	2800	1	10" 254	22 1/2" 572	2380	1	10" 254	31" 787	3	3
HEF96-90	HESFA96-90	90"	2286	567	257.2	3000	1	10" 254	24" 610	2550	2	10" 254	16 1/2" 419	3	4
HEF96-96	HESFA96-96	96"	2438	605	274.4	3200	1	10" 254	25 1/2" 648	2720	2	10" 254	18" 457	3	4
HEF96-102	HESFA96-102	102"	2591	642	291.2	3400	1	10" 254	27" 686	2890	2	10" 254	19" 483	3	4
HEF96-108	HESFA96-108	108"	2743	679	308.0	3600	1	10" 254	29" 737	3060	2	10" 254	20" 508	3	5
HEF96-114	HESFA96-114	114"	2896	718	325.7	3800	1	10" 254	30" 762	3230	2	10" 254	21" 533	3	5
HEF96-120	HESFA96-120	120"	3048	755	342.5	4000	2	10" 254	16" 406	3400	2	10" 254	22" 559	4	5
HEF96-126	HESFA96-126	126"	3200	793	359.7	4200	2	10" 254	16 1/2" 419	3570	2	10" 254	23" 584	4	6
HEF96-132	HESFA96-132	132"	3353	831	376.9	4400	2	10" 254	17 1/2" 445	3740	2	10" 254	24 1/2" 622	4	6
HEF96-138	HESFA96-138	138"	3505	869	394.2	4600	2	10" 254	18 1/2" 470	3910	2	10" 254	25 1/2" 648	4	6
HEF96-144	HESFA96-144	144"	3658	907	411.4	4800	2	10" 254	19" 483	4080	2	10" 254	26 1/2" 673	4	6

EAGLE GROUP
 100 Industrial Boulevard, Clayton, DE 19938-8903 USA
 Phone: 302-653-3000 • Fax: 302-653-2065
 www.eaglegrp.com

Foodservice Division: Phone 800-441-8440
 MHC/Retail Display Divisions: Phone 800-637-5100

Printed in U.S.A.
 ©2018 by Eagle Group
 Rev. 04/18

Spec sheets available for viewing, printing or downloading from our online literature library at www.eaglegrp.com

Although every attempt has been made to ensure the accuracy of the information provided, we cannot be held responsible for typographical or printing errors. Information and specifications are subject to change without notice. Please confirm at time of order.