

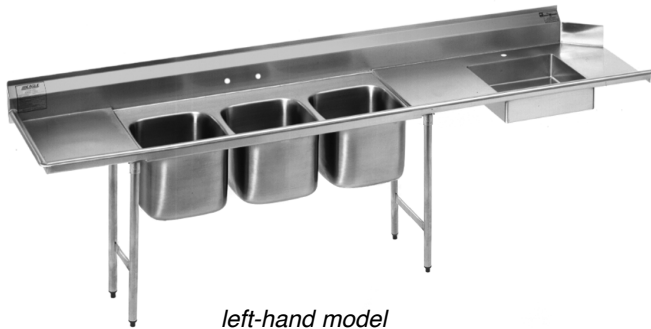


Profit from the Eagle Advantage®

Specification Sheet

Short Form Specifications

Eagle Soiled Dishtable with 3-Compartment Sink, model _____ . Top to be 16/430, 16/304, or 14/304 stainless steel with all seams welded, ground smooth, and polished. 1½"-high raised rolled rim on front and end. 8"-high backsplash. Three 16" x 20" x 14" deep type 304 stainless steel covered corner sink bowls, one 20" x 20" x 5" deep stainless steel prerinse sink, hole for deck-mounted prerinse spray, holes for splash-mounted faucet, and 20½" opening for dishwasher. Legs to be 1½" O.D. galvanized tubing, with 1"-diameter crossbracing and adjustable bullet feet (14/304 models come standard with stainless steel crossbraced legs with adjustable metal feet).



left-hand model

Options / Accessories *

- Undershelf
- Stainless steel legs
- Stainless steel gussets
- Stainless steel feet

* See Spec Sheets **EG50.07A** and **EG50.07B** for full line of options and accessories.

EAGLE GROUP

100 Industrial Boulevard, Clayton, DE 19938-8903 USA
Phone: 302-653-3000 • 800-441-8440 • Fax: 302-653-2065
www.eaglegrp.com
www.eaglegrpnews.com
www.eaglemhc.com

For custom configuration or fabrication needs, contact our **SpecFAB® Division**.
Phone: 302-653-3000 • Fax: 302-653-2065 • e-mail: quotes@eaglegrp.com

Item No.:	_____
Project No.:	_____
S.I.S. No.:	_____

Soiled Dishtables with Three-Compartment Sink

MODELS:

- SDTPL-124-16/4
- SDTPL-124-16/3
- SDTPL-124-14/3
- SDTPR-124-16/4
- SDTPR-124-16/3
- SDTPR-124-14/3

Design and Construction Features

- 14 or 16 gauge stainless steel.
- 30" x 124" (762 x 3150mm) tables.
- 1½" (38mm) raised rolled rim on front and ends.
- 8" (203mm)-high backsplash.
- 20½" (521mm) opening to accept dishwasher.
- 1½" (41mm)-diameter galvanized legs with welded 1" (25mm)-diameter front-to-back crossbracing.
- Adjustable non-marking bullet feet with up to 1" (25mm) adjustment.
- One 20" x 20" x 5" (521 x 406 x 127mm) prerinse sink.
- Three 20" x 16" x 14" (508 x 406 x 406mm) covered corner sink bowls.
- All Spec-Master® 14/304 dishtables come standard with stainless steel crossbraced legs and gussets.
- Soiled Dishtable Kit available. Includes scrap basket, rack slide, and T&S prerinse faucet #313295. To order, add suffix "-SRP" (example: SDTPL-124-16/3-SRP).



EG50.11 Rev. 11/22

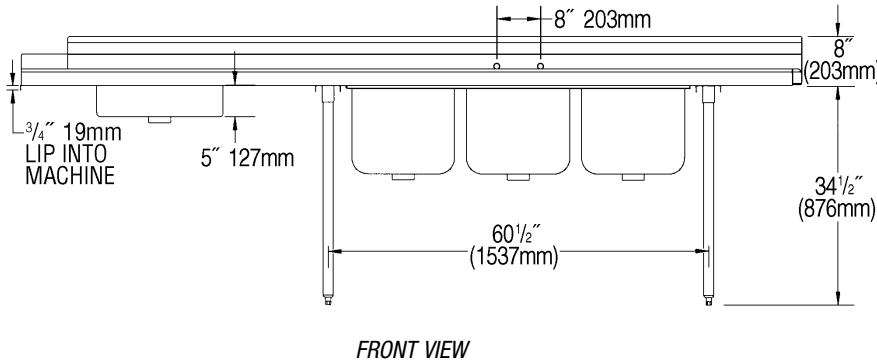
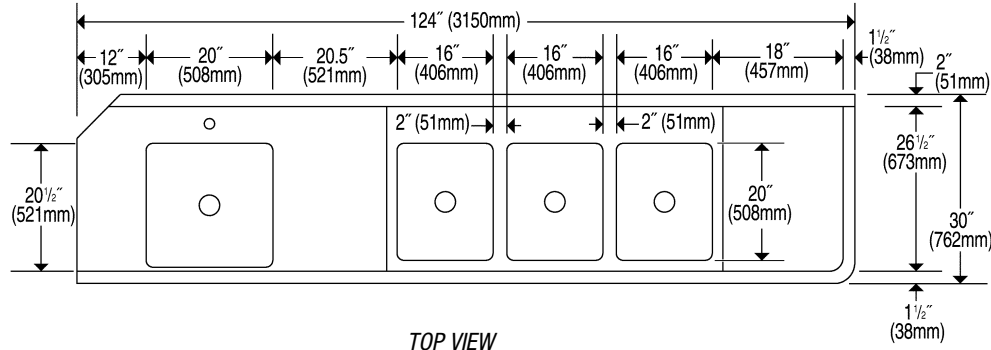
Spec sheets available for viewing, printing or downloading from our online literature library at our websites

Eagle Foodservice Equipment, Eagle MHC, and SpecFAB® are divisions of Eagle Group. ©2022 by the Eagle Group



Item No.: _____
 Project No.: _____
 S.I.S. No.: _____

Soiled Dishtables with Three-Compartment Sink



right-hand model shown

16 gauge type 430 model #	16 gauge type 304 model #	Spec-Master® 14 gauge type 304 model #	description	overall length		weight	
				in.	mm	lbs.	kg
SDTPL-124-16/4	SDTPL-124-16/3	SDTPL-124-14/3	left-hand model	124"	3150	341	154.7
SDTPR-124-16/4	SDTPR-124-16/3	SDTPR-124-14/3	right-hand model	124"	3150	341	154.7

EAGLE GROUP
 100 Industrial Boulevard, Clayton, DE 19938-8903 USA
 Phone: 302-653-3000 or 800-441-8440 • Fax: 302-653-2065
 www.eaglegrp.com • www.eaglegrpnews.com • www.eaglehmc.com

Printed in U.S.A.
 ©2022 by Eagle Group
 Rev. 11/22

Spec sheets available for viewing, printing or downloading from our online literature library at our websites

Although every attempt has been made to ensure the accuracy of the information provided, we cannot be held responsible for typographical or printing errors. Information and specifications are subject to change without notice. Please confirm at time of order.