



Profit from the Eagle Advantage®

Specification Sheet

Item No.: _____
 Project No.: _____
 S.I.S. No.: _____

Catalog Specification Sheet No. **EG40.55**

Underbar Modifications for 1800 and 2200 Series

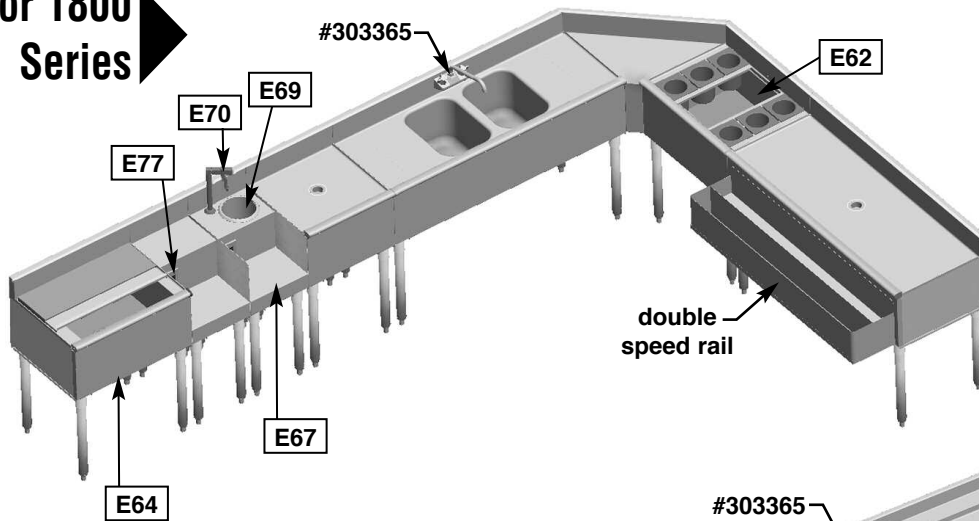
Underbar Modifications for 1800 and 2200 Series

MODELS:

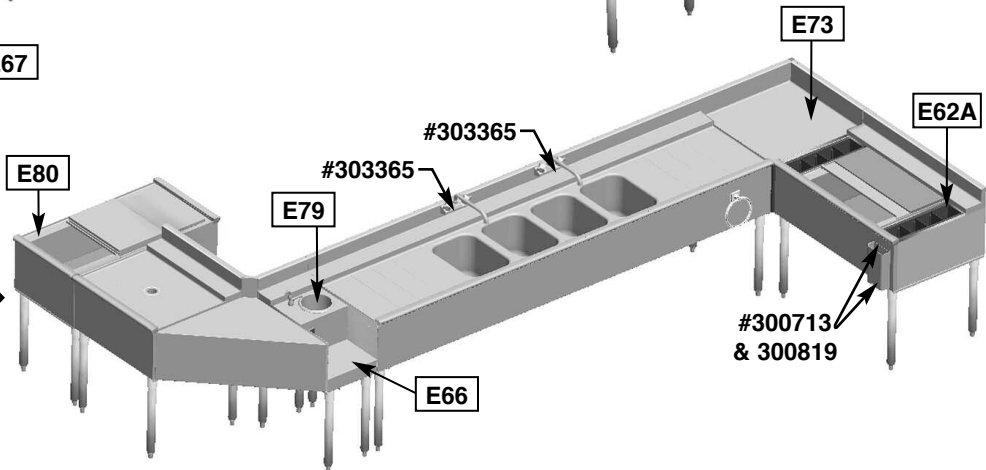
- | | | | |
|-------------------------------|-------------------------------|---------------------------------|---------------------------------|
| <input type="checkbox"/> E60 | <input type="checkbox"/> E66A | <input type="checkbox"/> E76 | <input type="checkbox"/> 300491 |
| <input type="checkbox"/> E61 | <input type="checkbox"/> E67 | <input type="checkbox"/> E77 | <input type="checkbox"/> 300670 |
| <input type="checkbox"/> E61A | <input type="checkbox"/> E68 | <input type="checkbox"/> E78 | <input type="checkbox"/> 300712 |
| <input type="checkbox"/> E61B | <input type="checkbox"/> E69 | <input type="checkbox"/> E79 | <input type="checkbox"/> 300713 |
| <input type="checkbox"/> E62 | <input type="checkbox"/> E70 | <input type="checkbox"/> E80 | <input type="checkbox"/> 300819 |
| <input type="checkbox"/> E62A | <input type="checkbox"/> E71 | <input type="checkbox"/> E80A | <input type="checkbox"/> 300805 |
| <input type="checkbox"/> E63 | <input type="checkbox"/> E72 | <input type="checkbox"/> E81 | <input type="checkbox"/> 303365 |
| <input type="checkbox"/> E64 | <input type="checkbox"/> E73 | <input type="checkbox"/> E83 | <input type="checkbox"/> 326636 |
| <input type="checkbox"/> E65 | <input type="checkbox"/> E74 | <input type="checkbox"/> 300293 | <input type="checkbox"/> 359032 |
| <input type="checkbox"/> E66 | <input type="checkbox"/> E75 | <input type="checkbox"/> 300325 | |

Refer to charts on back page for descriptions.

For 1800 Series



For 2200 Series



EAGLE GROUP
 100 Industrial Boulevard, Clayton, DE 19938-8903 USA
 Phone: 302-653-3000 • Fax: 302-653-2065
 www.eaglegrp.com

Foodservice Division: Phone 800-441-8440
MHC/Retail Display Divisions: Phone 800-637-5100

For custom configuration or fabrication needs, contact our **SpecFAB® Division**.
 Phone: 302-653-3000 • Fax: 302-653-2065 • e-mail: quotes@eaglegrp.com



EG40.55 Rev. 03/18

Spec sheets available for viewing, printing or downloading from our online literature library at www.eaglegrp.com



Profit from the Eagle Advantage®

Item No.: _____
 Project No.: _____
 S.I.S. No.: _____

Underbar Modifications for 1800 and 2200 Series

Modifications

model # description

SINKS:

| | |
|-------------|--|
| E61 | Hand sink 10" x 14" x 5" w/drain & faucet |
| E61A | Sink bowl 10" x 14" x 9½" w/drain, faucet & overflow |
| E61B | Sink bowl 12" x 14" x 9½" w/drain, faucet & overflow |

COCKTAIL UNITS 15½" x 19¾" BOWLS:

| | |
|-------------|--|
| E62 | 24" unit, 6-bottle wells, inside liner, no cover |
| E62A | 36" unit, 8-bottle wells, outside liner, sliding s/s cover |
| E63 | Ice chest 15½" x 19¾" x 8" deep |
| E64 | Ice chest w/sliding s/s cover, 15½" x 19¾" x 8"-deep |
| E65 | Higher backsplash, up to 9" high, per linear foot |

BLENDER STEP UNIT W/LIQUID WASTE CHUTE, FAUCET, AND ELECTRICAL OUTLET:

| | |
|-------------|-------------------------|
| E66 | 12"-wide single station |
| E66A | 14"-wide double station |

PASS-THRU ICE CHESTS:

| | |
|-------------|----------------|
| E80 | 18" x 36" x 8" |
| E80A | 24" x 36" x 8" |

model # description

PASS-THRU ICE CHESTS (continued):

| | |
|------------|---|
| E81 | Stainless steel leg, individual |
| E83 | NSF sprayed-on sound deadening, up to 12' (3658mm) length |

MISCELLANEOUS:

| | |
|------------|---|
| E60 | Workboards (minimum 48") |
| E67 | Blender recess 12"-wide with electrical GFCI outlets |
| E68 | Open waste chute installed |
| E69 | Liquid waste chute installed |
| E70 | Glass filler |
| E71 | Cutout in back (2200 Series only) |
| E72 | End splash per end |
| E73 | "L" shape corner welded per corner (except sink bowls) |
| E74 | Pass-thru |
| E75 | Blender shelf 12" wide, removable hook-on type |
| E76 | Divider for ice chest (removable), installed at factory |
| E77 | Duplex GFCI receptacle, installed |
| E78 | Glass rack storage, holds (2) 20" x 20" racks |
| E79 | Dipperwell with faucet |

Options and Accessories*

model # description

| | |
|---------------|--|
| * | Double speed rails |
| ** | Modular Angle Fillers and Corner Drainboards — front and rear sections |
| 300293 | Plastic bullet foot |
| 300325 | Rack for round bottle wells |
| 300491 | Bottle holder, individual |
| 300670 | Sliding s/s ice cover for 15½" x 19¾" bowl (non-NSF) |
| 300712 | Towel bar, 24"-long, stainless steel - shipped loose |

model # description

| | |
|---------------|--|
| 300713 | Bottle opener |
| 300819 | Cap catcher (not attached) |
| 300805 | Bottle holder trays (not installed) hold 4 bottles ea. |
| 303365 | Faucet - 10" spout, splash mount |
| 326636 | Poly cutting board 15" x 15" x ½" (not attached) poly-plastic |
| 359032 | Post-mix cold plate for 15½" x 19¾" bowl, 7-circuit, sealed-in (NSF) |

* See Spec Sheet #EG40.56 for other Underbar Accessories and Replacements.

** See Spec Sheets #EG40.57 for 1800 Series and #EG40.58 for 2200 Series Modular Angle Fillers and Corner Drainboards.

EAGLE GROUP

100 Industrial Boulevard, Clayton, DE 19938-8903 USA

Phone: 302-653-3000 • Fax: 302-653-2065

www.eaglegrp.com

Foodservice Division: Phone 800-441-8440

MHC/Retail Display Divisions: Phone 800-637-5100

Printed in U.S.A.
 ©2018 by Eagle Group

Rev. 03/18

Spec sheets available for viewing, printing or downloading from our online literature library at www.eaglegrp.com

Although every attempt has been made to ensure the accuracy of the information provided, we cannot be held responsible for typographical or printing errors. Information and specifications are subject to change without notice. Please confirm at time of order.