



Profit from the Eagle Advantage®

# Specification Sheet

## Short Form Specifications

Eagle Portable Bar, model \_\_\_\_\_. Melamine exterior with matching formica top. Stainless steel interior working surface with stainless steel ice bin, two soda gun openings, two stainless steel speed rails, chrome-plated steel towel ring, and corner guards. 4" plate casters—two with brakes.

Eagle Deluxe Portable Bar, model \_\_\_\_\_. Melamine exterior with matching formica top. Stainless steel interior working surface with stainless steel ice bin, adjustable stainless steel slides for racks, two soda gun openings, locking cabinet (specify center, left or right), stainless steel speedrail, and corner guards. Also featured are two additional locking cabinets and two additional stainless steel speedrails. 4" plate casters—two with brakes.



standard portable bar #PB-5



deluxe portable bar #DPB-5

## Options / Accessories

- 7-circuit post-mix sealed-in cold plate
- Decorative laminates\*

\* For custom decorative laminates, contact our SpecFAB® division. See bottom of this page for contact information.

## EAGLE GROUP

100 Industrial Boulevard, Clayton, DE 19938-8903 USA

Phone: 302-653-3000 • Fax: 302-653-2065

www.eaglegrp.com • www.eaglemhc.com

Foodservice Division: Phone 800-441-8440

MHC Division: Phone 800-637-5100

For custom configuration or fabrication needs, contact our SpecFAB® Division.

Phone: 302-653-3000 • Fax: 302-653-2065 • e-mail: quotes@eaglegrp.com



EG40.53 Rev. 03/20

Spec sheets available for viewing, printing or downloading from our online literature library at [www.eaglegrp.com](http://www.eaglegrp.com)

Eagle Foodservice Equipment, Eagle MHC, and SpecFAB® are divisions of Eagle Group. ©2020 by the Eagle Group

Item No.:	_____
Project No.:	_____
S.I.S. No.:	_____

## Portable Bars— For Indoor Use

### MODELS:

- PB-5\*     DPB-5L\*     DPB-5LR\*
- DPB-5\*     DPB-5R\*

\* See charts on back for complete model numbers.

### Design and Construction Features on all models

- Shipped fully assembled.
- 4" x 1" (102 x 25mm) plate casters, two with brake.
- Choice of black, white, or "vintage" melamine exterior, each with matching formica top.
- Stainless steel interior working surface.
- 15 3/8" x 19 3/4" x 8" (391 x 502 x 203mm) ice bin with 1 1/2" (38mm) drain.
- All models are 63" (1600mm) in length.
- Complete with front corner guards.
- For indoor use only.
- Optional 7-circuit sealed-in post-mix cold plate available. Comes with 15 1/8" x 18 1/2" x 8" (384 x 470 x 203mm) replacement ice bin. To order, add suffix "-7" to model number.

### Standard Portable Bar #PB-5

- Two stainless steel speed rails.
- Two soda gun openings.
- Chrome-plated steel towel ring.

### Deluxe Portable Bar #DPB-5

- Adjustable stainless steel glides for storage racks.
- Center locking storage cabinet.
- Two soda gun openings.
- Double-tier stainless steel speed rail.

### Deluxe Portable Bars #DPB-5L and #DPB-5R

- Same as #DPB-5, plus the following:
  - Locking cabinet at left or right.
  - Stainless steel speed rail.

### Deluxe Portable Bar #DPB-5LR

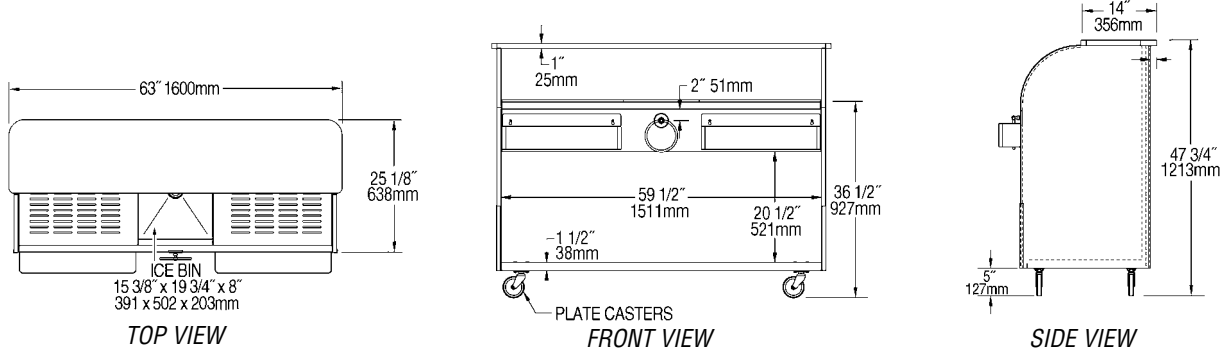
- Same as #DPB-5, plus the following:
  - Two locking cabinets.
  - Two stainless steel speed rails.



Item No.: \_\_\_\_\_  
 Project No.: \_\_\_\_\_  
 S.I.S. No.: \_\_\_\_\_

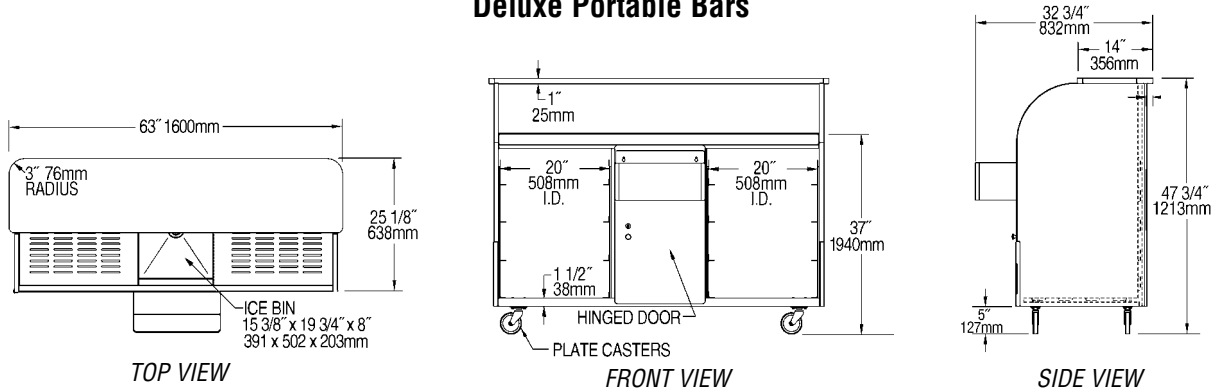
# Portable Bars—For Indoor Use

## Standard Portable Bar



description	weight kg lbs.	BLACK model #	WHITE model #	"VINTAGE" model #
(see front page)	292 132.5	<b>PB-5</b>	<b>PB-5-W</b>	<b>PB-5-V</b>

## Deluxe Portable Bars



(note: #DPB-5 shown)

description	weight kg lbs.	BLACK model #	WHITE model #	"VINTAGE" model #
(see front page)	225 102.1	<b>DPB-5</b>	<b>DPB-5-W</b>	<b>DPB-5-V</b>
same as DPB-5, plus add'l locking cabinet at left and add'l stainless steel speed rail	240 108.9	<b>DPB-5L</b>	<b>DPB-5L-W</b>	<b>DPB-5L-V</b>
same as DPB-5, plus add'l locking cabinet at right and add'l stainless steel speed rail	240 108.9	<b>DPB-5R</b>	<b>DPB-5R-W</b>	<b>DPB-5R-V</b>
same as DPB-5, plus two add'l locking cabinets and two add'l stainless steel speed rails	250 113.4	<b>DPB-5LR</b>	<b>DPB-5LR-W</b>	<b>DPB-5LR-V</b>

**EAGLE GROUP**  
 100 Industrial Boulevard, Clayton, DE 19938-8903 USA  
 Phone: 302-653-3000 • Fax: 302-653-2065  
 www.eaglegrp.com • www.eaglegrp.com

Foodservice Division: Phone 800-441-8440  
 MHC Division: Phone 800-637-5100

Printed in U.S.A.  
 ©2020 by Eagle Group  
 Rev. 03/20

Spec sheets available for viewing, printing or downloading from our online literature library at [www.eaglegrp.com](http://www.eaglegrp.com)

Although every attempt has been made to ensure the accuracy of the information provided, we cannot be held responsible for typographical or printing errors. Information and specifications are subject to change without notice. Please confirm at time of order.