



Profit from the Eagle Advantage®

Specification Sheet

Short Form Specifications

Eagle Spec-Bar® Dry Waste Unit, model _____. Heavy gauge type 304 stainless steel with front hinged access door, and 6" round opening in top. Mounting clips provided for installation between two Spec-Bar 2000® pieces of equipment.

Eagle Spec-Bar® Tubing Chase, model _____. Heavy gauge type 304 stainless steel with 4" x 4" x 6½" high tubing chase, and 1½" drain in top. Mounting clips provided for installation between two Spec-Bar 2000® pieces of equipment.



dry waste



tube chase

Item No.:	_____
Project No.:	_____
S.I.S. No.:	_____

Spec-Bar® Dry Waste & Tube Chases

MODELS:

- DW12-24
- DW18-19
- DW18-24
- TC6-19
- TC6-24

Design and Construction Features

- Constructed of type 304 stainless steel for strength and corrosion resistance.
- Front, backsplash, top, drain pan, tubing chase, and front door (on dry waste units) are 20 gauge stainless steel.
- Mounting clips provided for installation between two other Spec-Bar® underbar pieces.

Dry waste units

- Front hinged access door.
- 6" (153mm) round opening in flat top.

Tubing chases

- Drains are 1½" (38mm) I.P.S. threaded with nut and washer.
- Tubing chase dimensions are 4" x 4" x 6½" (102 x 102 x 165mm) high.

Notes:

- There is no built-in provision for leg mounting.
- Dry waste receptacle not included.

EAGLE GROUP
 100 Industrial Boulevard, Clayton, DE 19938-8903 USA
 Phone: 302-653-3000 • Fax: 302-653-2065
 www.eaglegrp.com

Foodservice Division: Phone 800-441-8440
MHC/Retail Display Divisions: Phone 800-637-5100

For custom configuration or fabrication needs, contact our **SpecFAB® Division**.
 Phone: 302-653-3000 • Fax: 302-653-3091 • e-mail: specfab@eaglegrp.com



AUTOQUOTES



EG40.52 Rev. 04/11

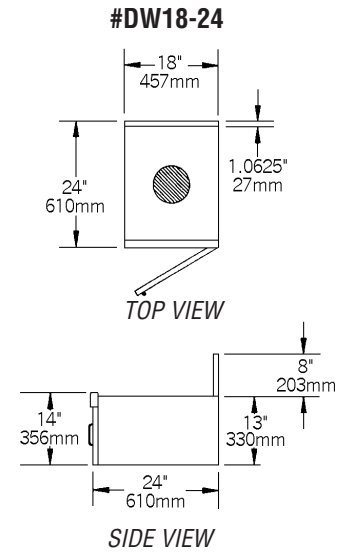
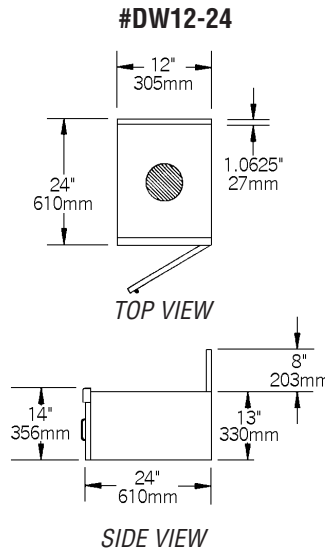
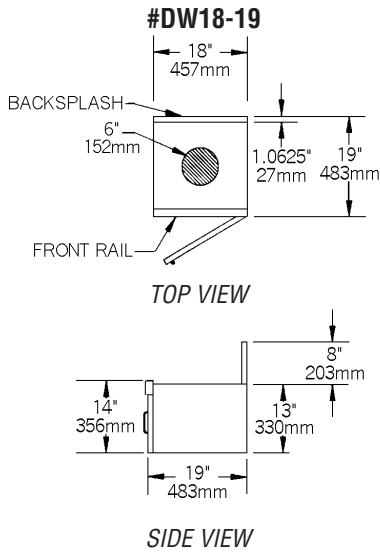
Spec sheets available for viewing, printing or downloading from our online literature library at www.eaglegrp.com



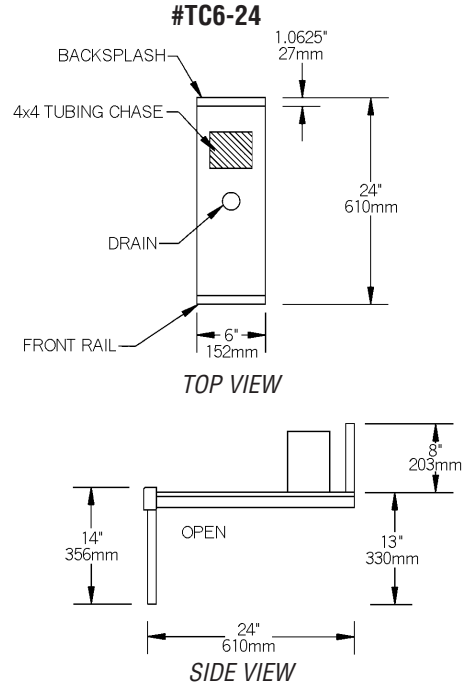
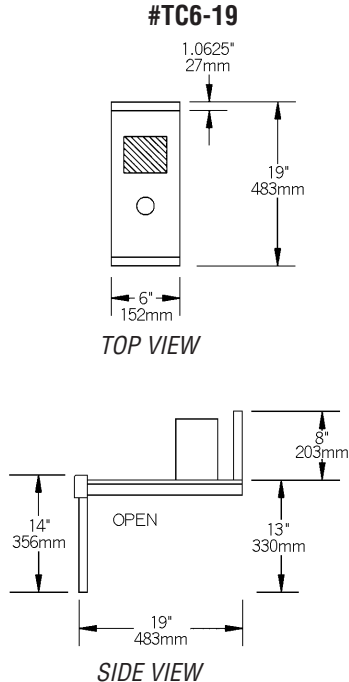
Item No.: _____
 Project No.: _____
 S.I.S. No.: _____

Spec-Bar® Dry Waste & Tube Chases

Dry Waste Units



Tube Chases



EAGLE GROUP
 100 Industrial Boulevard, Clayton, DE 19938-8903 USA
 Phone: 302-653-3000 • Fax: 302-653-2065
 www.eaglegrp.com

Foodservice Division: Phone 800-441-8440
 MHC/Retail Display Divisions: Phone 800-637-5100

Printed in U.S.A.
 ©2011 by Eagle Group
 Rev. 04/11

Spec sheets available for viewing, printing or downloading from our online literature library at www.eaglegrp.com

Although every attempt has been made to ensure the accuracy of the information provided, we cannot be held responsible for typographical or printing errors. Information and specifications are subject to change without notice. Please confirm at time of order.