



Profit from the Eagle Advantage®

Specification Sheet

Short Form Specifications

Eagle Spec-Bar® Beer Drainer Workboard, model _____. Heavy gauge type 304 stainless steel body, legs, leg channels and cross rails. 4" x 4" x 6½" tubing chase. Top has 1½" drain with removable perforated insert. Stainless steel adjustable bullet feet.



Item No.:	_____
Project No.:	_____
S.I.S. No.:	_____

Spec-Bar® Beer Drainers

MODELS:

- BD18-19
- BD18-24
- BD24-19
- BD24-24
- BD30-19
- BD30-24

Design and Construction Features

- Body, legs and crossbracing constructed of type 304 stainless steel for strength and corrosion resistance.
- Backsplash, sides, bottom, front panel, rear deck, tubing chase, drain pan and perforated insert are 20 gauge stainless steel.
- Leg channels, legs and crossbracing are 16 gauge stainless steel.
- Legs are 1½" (41mm)-diameter, with stainless steel adjustable bullet feet.
- 4" x 4" x 6½" (102 x 102 x 165mm)-high tubing chase built into rear deck.
- Removable perforated stainless steel front insert.
- 1½" (38mm) I.P.S. threaded drain with nut and washer.

EAGLE GROUP
 100 Industrial Boulevard, Clayton, DE 19938-8903 USA
 Phone: 302-653-3000 • Fax: 302-653-2065
 www.eaglegrp.com

Foodservice Division: Phone 800-441-8440
MHC/Retail Display Divisions: Phone 800-637-5100

For custom configuration or fabrication needs, contact our **SpecFAB® Division**.
 Phone: 302-653-3000 • Fax: 302-653-3091 • e-mail: specfab@eaglegrp.com



EG40.33 Rev. 04/11

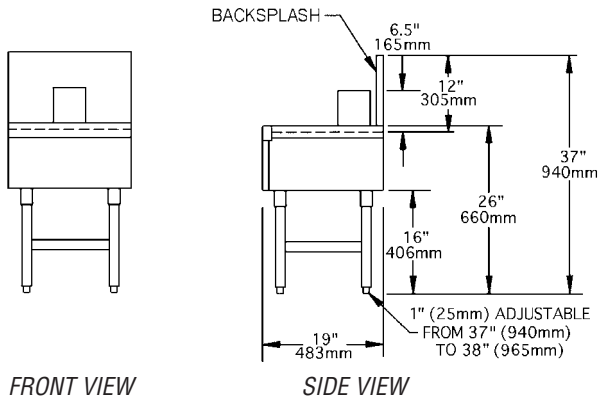
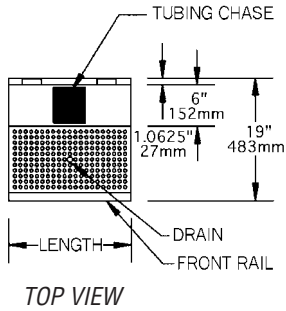
Spec sheets available for viewing, printing or downloading from our online literature library at www.eaglegrp.com



Item No.: _____
 Project No.: _____
 S.I.S. No.: _____

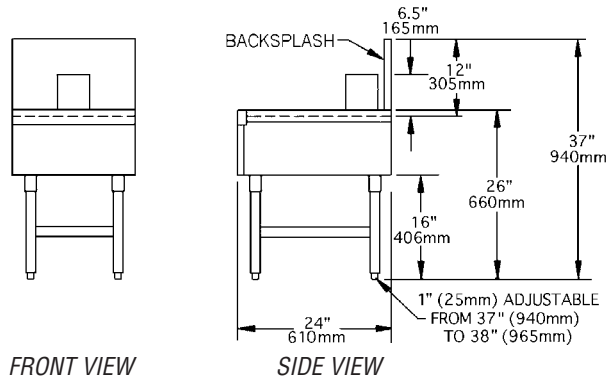
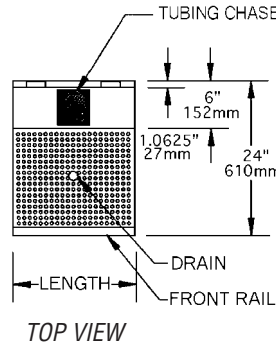
Spec-Bar® Beer Drainers

19" (483mm)-wide Units



model #	length		weight	
	in.	mm	lbs.	kg
BD18-19	18"	457	25	11.3
BD24-19	24"	610	30	13.6
BD30-19	30"	762	35	15.9

24" (610mm)-wide Units



model #	length		weight	
	in.	mm	lbs.	kg
BD18-24	18"	457	28	12.7
BD24-24	24"	610	33	15.0
BD30-24	30"	762	42	19.1

EAGLE GROUP
 100 Industrial Boulevard, Clayton, DE 19938-8903 USA
 Phone: 302-653-3000 • Fax: 302-653-2065
 www.eaglegrp.com

Foodservice Division: Phone 800-441-8440
 MHC/Retail Display Divisions: Phone 800-637-5100

Printed in U.S.A.
 ©2011 by Eagle Group
 Rev. 04/11

Spec sheets available for viewing, printing or downloading from our online literature library at www.eaglegrp.com

Although every attempt has been made to ensure the accuracy of the information provided, we cannot be held responsible for typographical or printing errors. Information and specifications are subject to change without notice. Please confirm at time of order.