



Profit from the Eagle Advantage®

# Specification Sheet

## Short Form Specifications

Eagle Pass-Thru Ice Chest, model \_\_\_\_\_. Top and front are heavy gauge stainless steel, with galvanized sides. Fully insulated, with 1½" stainless steel drain and tail piece. Stainless steel sliding cover is standard. Available with sealed-in 7-circuit cold plate. 1½" O.D. galvanized legs with adjustable bullet feet.



pass thru ice chest

## Options / Accessories

- Stainless steel leg kits

## EAGLE GROUP

100 Industrial Boulevard, Clayton, DE 19938-8903 USA  
Phone: 302-653-3000 • 800-441-8440 • Fax: 302-653-2065  
www.eaglegrp.com  
www.eaglegrpnews.com  
www.eaglemhc.com

For custom configuration or fabrication needs, contact our SpecFAB® Division.  
Phone: 302-653-3000 • Fax: 302-653-2065 • e-mail: quotes@eaglegrp.com

Item No.: \_\_\_\_\_  
Project No.: \_\_\_\_\_  
S.I.S. No.: \_\_\_\_\_

# Pass-Thru Ice Chests for 1800 and 2200 Series Underbar Equipment

## MODELS:

- B18ICPT
- B18ICPT-7
- B24ICPT
- B24ICPT-7

## Design and Construction Features

- Heavy gauge stainless steel top and front, with galvanized sides.
- 1½" (38mm) stainless steel drain with tail piece standard.
- Fiberglass insulation.
- Available with 7-circuit post-mix cold plate, featuring foamed-in-place insulation and ½" (13mm) NPS pipe nipple drain.
- Sliding cover standard on all models.
- Legs are heavy gauge 1½" (41mm)-diameter galvanized steel with adjustable feet.
- Available in widths of 18" and 24" (457 and 610mm).
- All models are 36" (914mm) front-to-back.
- Optional stainless steel leg kits available.



EG40.16 Rev. 08/23

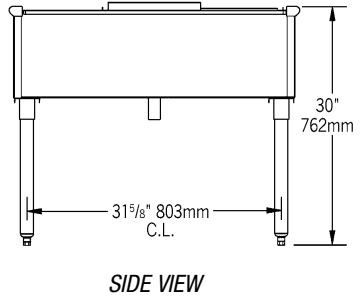
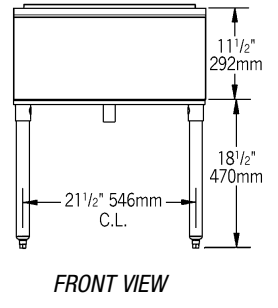
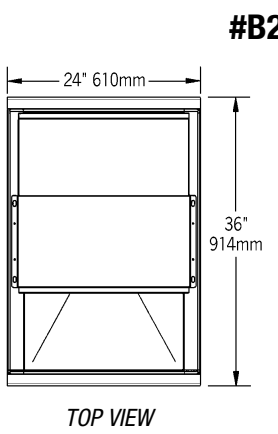
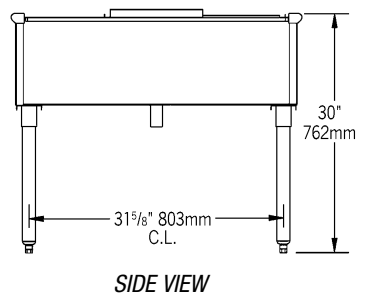
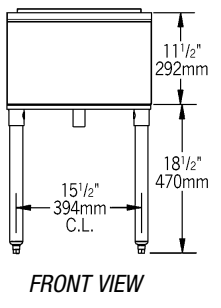
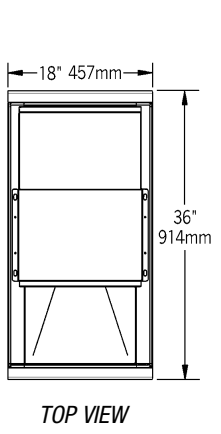
Spec sheets available for viewing, printing or downloading from our online literature library at our websites

Eagle Foodservice Equipment, Eagle MHC, and SpecFAB® are divisions of Eagle Group. ©2023 by the Eagle Group



Item No.: \_\_\_\_\_  
 Project No.: \_\_\_\_\_  
 S.I.S. No.: \_\_\_\_\_

# Pass-Thru Ice Chests for 1800 and 2200 Series Underbar Equipment



model #	side-to-side		front-to-back		weight	
	in.	mm	in.	mm	lbs.	kg
<b>B18ICPT</b>	18"	457	36"	914	70	31.8
<b>B18ICPT-7 *</b>	18"	457	36"	914	106	48.1
<b>B24ICPT</b>	24"	610	36"	914	85	38.6
<b>B24ICPT-7 *</b>	24"	610	36"	914	121	54.9

\* 7-circuit post-mix cold plate included

### Optional Stainless Steel Leg Kits

add suffix #	description
<b>-SL</b>	stainless steel leg assemblies
<b>-SLF</b>	stainless steel leg assemblies & stainless steel feet
<b>-SLG</b>	stainless steel leg assemblies & stainless steel gussets
<b>-SLGF</b>	stainless steel leg assemblies, stainless steel feet & gussets

**EAGLE GROUP**  
 100 Industrial Boulevard, Clayton, DE 19938-8903 USA  
 Phone: 302-653-3000 or 800-441-8440 • Fax: 302-653-2065  
 www.eaglegrp.com • www.eaglegrpnews.com • www.eaglehmc.com

Printed in U.S.A.  
 ©2023 by Eagle Group  
 Rev. 08/23

Spec sheets available for viewing, printing or downloading from our online literature library at our websites

Although every attempt has been made to ensure the accuracy of the information provided, we cannot be held responsible for typographical or printing errors. Information and specifications are subject to change without notice. Please confirm at time of order.