



Profit from the Eagle Advantage®

Specification Sheet

Short Form Specifications

Eagle 1800 Series Cocktail Workstation, model _____. Top, front, backsplash, and ice bin are heavy gauge type 304 stainless steel. Fabricated ice bin is 8" deep, fully insulated, with 1½" drain. Unit furnished with stainless steel speed rail. Work board section to have 1½" drain in top. 1½" galvanized tubular legs with adjustable bullet feet.

Eagle 1800 Series Cocktail Workstation with Sealed-In Cold Plate, model _____. Top, front, backsplash, and ice bin are heavy gauge type 304 stainless steel. Fabricated ice bin is 8" deep, fully insulated, with sealed-in 7-circuit cold plate and 1½" drain. 1½" O.D. galvanized tubular legs with adjustable bullet feet.



#CWS4-18R cocktail workstation

Options / Accessories

- Stainless steel leg kits

Item No.: _____
Project No.: _____
S.I.S. No.: _____

1800 Series Cocktail Workstations

MODELS:

- CWS4-18R
- CWS4-18L
- CWS5-18R
- CWS5-18L
- CWS4-18R-7
- CWS4-18L-7
- CWS5-18R-7
- CWS5-18L-7

Design and Construction Features

- Bullnose front edge.
- Units are modular, providing for custom configurations using standard components.
- Type 304 stainless steel construction.
- Fabricated ice bins are available in 70 lb. (32 kg.) ice capacity. Ice bins are 8" (203mm) deep.
- Ice bin can be located either on left or right.
- 24" (610mm) stainless steel speed rail.
- End panels are galvanized steel.
- Highly polished finish.
- 1½" (38mm) NPT drain with 1½" x 4" (38 x 102mm) tailpiece.
- Body is all-welded construction.

EAGLE GROUP

100 Industrial Boulevard, Clayton, DE 19938-8903 USA
Phone: 302-653-3000 • 800-441-8440 • Fax: 302-653-2065
www.eaglegrp.com
www.eaglemhc.com

For custom configuration or fabrication needs, contact our SpecFAB® Division.
Phone: 302-653-3000 • Fax: 302-653-2065 • e-mail: quotes@eaglegrp.com

Certifications / Approvals



AutoQuotes



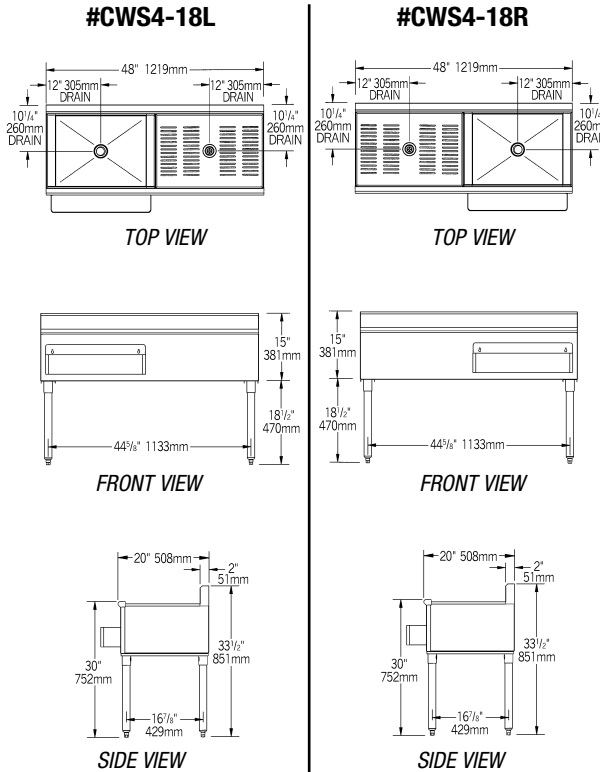


Profit from the Eagle Advantage®

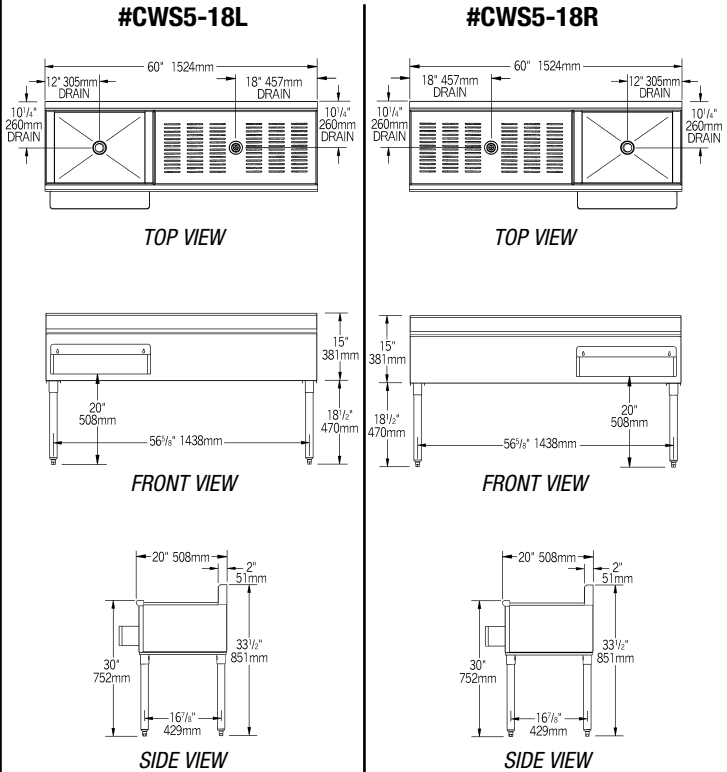
Item No.: _____
 Project No.: _____
 S.I.S. No.: _____

1800 Series Cocktail Workstations

4' (1219mm) Models



5' (1524mm) Models



model #	width		length		weight	
	in.	mm	in.	mm	lbs.	kg
CWS4-18R	20"	508	48"	1219	63	28.6
CWS4-18L	20"	508	48"	1219	63	28.6
UNITS WITH COLD PLATE						
CWS4-18R-7	20"	508	48"	1219	93	42.2
CWS4-18L-7	20"	508	48"	1219	93	42.2

model #	width		length		weight	
	in.	mm	in.	mm	lbs.	kg
CWS5-18R	20"	508	60"	1524	73	33.1
CWS5-18L	20"	508	60"	1524	73	33.1
UNITS WITH COLD PLATE						
CWS5-18R-7	20"	508	60"	1524	103	46.3
CWS5-18L-7	20"	508	60"	1524	103	46.3

Optional Stainless Steel Leg Kits

add suffix #	description
-SL	stainless steel leg assemblies
-SLF	stainless steel leg assemblies & stainless steel feet
-SLG	stainless steel leg assemblies & stainless steel gussets
-SLGF	stainless steel leg assemblies, stainless steel feet & gussets

EAGLE GROUP
 100 Industrial Boulevard, Clayton, DE 19938-8903 USA
 Phone: 302-653-3000 or 800-441-8440 • Fax: 302-653-2065
 www.eaglegrp.com • www.eaglehmc.com

Printed in U.S.A.
 ©2024 by Eagle Group

Rev. 04/24

Spec sheets available for viewing, printing or downloading from our online literature library at our websites

Although every attempt has been made to ensure the accuracy of the information provided, we cannot be held responsible for typographical or printing errors. Information and specifications are subject to change without notice. Please confirm at time of order.