



Profit from the Eagle Advantage®

# Specification Sheet

## Short Form Specifications

Eagle RedHots® Countertop Gas Fryer, model \_\_\_\_\_, 30-lb. fat capacity; 53,000 total BTU. Stainless steel construction with stainless steel fry pot. Furnished with two fry baskets, thermostatic control, push-button ignition and pilot light. 3/4" N.P.T. gas connection. Unit supplied with gas regulator.



gas fryer

## Options / Accessories

- Night cover

Item No.: \_\_\_\_\_  
Project No.: \_\_\_\_\_  
S.I.S. No.: \_\_\_\_\_

# RedHots® Countertop Gas Fryers

## MODELS:

- CLGF30-NG
- CLGF30-LP

## Design and Construction Features

- Stainless steel construction and finish
- Stainless steel tube style tank
- 30-lb. (13.6 kg) fat capacity.
- Thermostatic control
- Hi-limit safety shutoff
- Flame failure
- Stainless steel open burners at 13,250 BTU per burner
- Burner safety valves
- Piezo ignition and pilot light
- Two 5-lb. (2.3 kg) capacity iron mesh nickel-plated fryer baskets
- Attachable drain connection to facilitate draining down
- Stainless steel hinged front door for access to thermostatic control and ignitor
- Heavy duty adjustable feet
- 3/4" rear male gas connection—supplied with gas regulator
- For installation: Allow 4" (102mm) for gas regulator at rear of unit

**NOTE: INTENDED FOR OTHER THAN HOUSEHOLD USE. THESE COMMERCIAL APPLIANCES MUST BE INSTALLED WITHIN SURROUNDINGS AND VENTILATION REQUIREMENTS AS DICTATED BY NATIONAL AND/OR LOCAL CODE.**

**EAGLE GROUP**  
100 Industrial Boulevard, Clayton, DE 19938-8903 USA  
Phone: 302-653-3000 • 800-441-8440 • Fax: 302-653-2065  
www.eaglegrp.com  
www.eaglegrpnews.com  
www.eaglehmc.com

For custom configuration or fabrication needs, contact our **SpecFAB® Division**.  
Phone: 302-653-3000 • Fax: 302-653-2065 • e-mail: quotes@eaglegrp.com



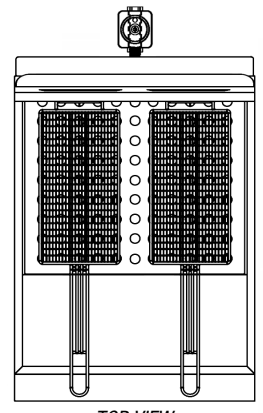
EG35.24 Rev. 12/22

**Spec sheets available for viewing, printing or downloading from our online literature library at our websites**

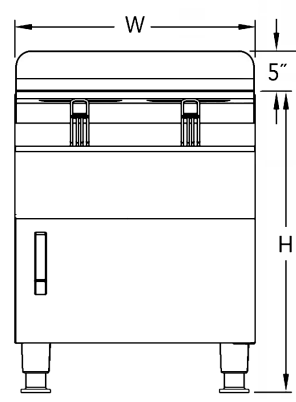


Item No.: \_\_\_\_\_  
 Project No.: \_\_\_\_\_  
 S.I.S. No.: \_\_\_\_\_

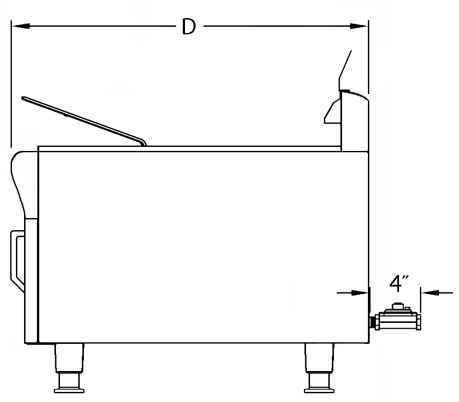
# RedHots® Countertop Gas Fryers



TOP VIEW



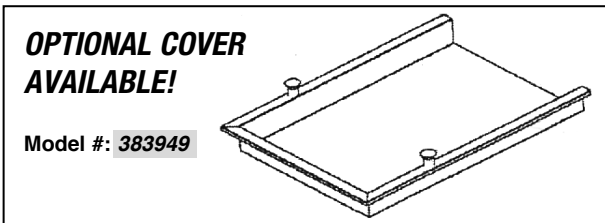
FRONT VIEW



SIDE VIEW

fuel	width		depth *		height **		weight		capacity		no. of burners	BTU per hour	model # ***
	in.	mm	in.	mm	in.	mm	lbs.	kg	lbs.	kg			
natural gas	17 1/4"	438	29"	737	25"	635	113	51.3	30	13.6	4	53,000	CLGF30-NG
propane gas	17 1/4"	438	29"	737	25"	635	113	51.3	30	13.6	4	53,000	CLGF30-LP

\* Add 4" (102mm) depth to allow for regulator.  
 \*\* Add 5" (127mm) height to allow for removable baffle.  
 \*\*\* Must specify NG or LP at time of order. Unit is NOT convertible.



**EAGLE GROUP**  
 100 Industrial Boulevard, Clayton, DE 19938-8903 USA  
 Phone: 302-653-3000 or 800-441-8440 • Fax: 302-653-2065  
 www.eaglegrp.com • www.eaglegrpnews.com • www.eaglehmc.com

Printed in U.S.A.  
 ©2022 by Eagle Group  
 Rev. 12/22

**Spec sheets available for viewing, printing or downloading from our online literature library at our websites**

Although every attempt has been made to ensure the accuracy of the information provided, we cannot be held responsible for typographical or printing errors. Information and specifications are subject to change without notice. Please confirm at time of order.