



Profit from the Eagle Advantage®

Specification Sheet

Short Form Specifications

Eagle Chef's Line® Radiant Charbroiler, model _____. Heavy gauge stainless steel front with aluminized steel sides. Controls at a 45° angle for ergonomic operation, heavy duty reversible cast iron cooking grates, 4" rear and side splashes, conversion pressure regulator with orifices for field conversion to LP. Full width stainless steel grease pan with baffles to prevent spillage, and heavy duty cast metal legs with flanged feet. 40,000 BTU* per burner. 3/4" N.P.T. rear gas connection. UL Gas Fired Listed.

Eagle Chef's Line® Lava Rock Charbroiler, model _____. Heavy gauge stainless steel front with aluminized steel sides. Controls at a 45° angle for ergonomic operation, heavy duty reversible cast iron cooking grates, 4" rear and side splashes, conversion pressure regulator with orifices for field conversion to LP. Full width stainless steel grease pan with baffles to prevent spillage, and heavy duty cast metal legs with flanged feet. 32,000 BTU per burner. 3/4" N.P.T. rear gas connection. UL Gas Fired Listed.



Options / Accessories

- Removable griddle plate
- 4-lb. bag of replacement lava rocks (model #375952)
- 8-lb. bag of replacement lava rocks (model #332130)

NOTE: INTENDED FOR OTHER THAN HOUSEHOLD USE. THESE COMMERCIAL APPLIANCES MUST BE INSTALLED WITHIN SURROUNDINGS AND VENTILATION REQUIREMENTS AS DICTATED BY NATIONAL AND/OR LOCAL CODE.

* On Radiant models: BTU rating of 40,000 per 12" on natural gas units, and 38,000 per 12" when converted to liquid propane.

EAGLE GROUP

100 Industrial Boulevard, Clayton, DE 19938-8903 USA
 Phone: 302-653-3000 • 800-441-8440 • Fax: 302-653-2065
www.eaglegrp.com
www.eaglegrpnews.com
www.eaglemhc.com

For custom configuration or fabrication needs, contact our SpecFAB® Division.
Phone: 302-653-3000 • Fax: 302-653-2065 • e-mail: quotes@eaglegrp.com

| |
|--------------------|
| Item No.: _____ |
| Project No.: _____ |
| S.I.S. No.: _____ |

RedHots® Chef's Line® Charbroilers

MODELS:

- CLCHRB-24-NG CLCHRBL-24-NG RGP-2
- CLCHRB-36-NG CLCHRBL-36-NG
- CLCHRB-48-NG CLCHRBL-48-NG

Radiant Models

- Total BTUs* range from 80,000 to 160,000 depending on width of unit.
- Heavy gauge stainless steel radiants combine with cast iron burner assembly for even heat distribution.

Lava Rock Models

- Total BTUs range from 64,000 to 128,000 depending on width of unit.
- Features grate for lava rock placement and natural lava rocks for even heat distribution with cast iron burner.
- Lava rocks supplied—one 4-lb. bag for one burner. Replacement lava rocks available.

Design and Construction Features

- Bullnosed edge provides solid protection to controls.
- Controls are at a 45° angle for ergonomic operation.
- 3 1/2" (89mm)-wide front trough with chute, located at the left end, accommodates standard sized spatula.
- Heavy duty cast metal legs with flanged feet adjustable from 4" to 5" (102 to 127mm).
- Heavy duty cast iron cooking grates can be individually positioned flat or angled.
- Available in widths of 24", 36, and 48" (610, 762, and 1219mm).
- 4" (102mm) sides and rear splash sloped front-to-back.
- 3/8" (19mm) N.P.T. gas connection.
- Natural gas (NG) complete with convertible pressure regulator and orifices for field conversion to liquid propane (LP).
- Full size polished stainless steel grease pan with baffles. Quart capacities are as follows:
 - 24" units = 14 qts.
 - 36" units = 24 qts.
 - 48" units = 28 qts. (two 14-qt. grease pans)

Warranty

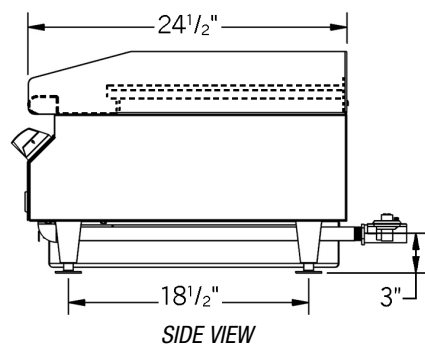
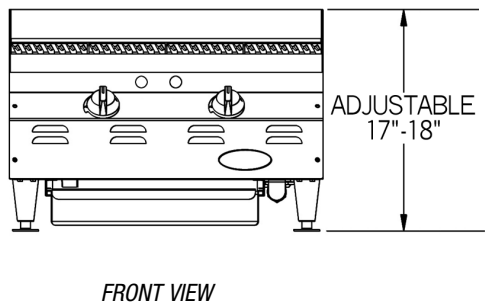
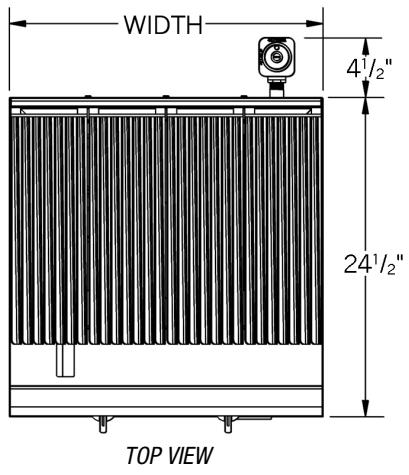
- Backed by a 1-YEAR Parts & Labor Warranty.





Item No.: _____
 Project No.: _____
 S.I.S. No.: _____

RedHots® Chef's Line® Charbroilers



Radiant Units

| model # | width | | BTU* rating | weight | |
|--------------|-------|------|----------------|--------|-------|
| | in. | mm | | lbs. | kg |
| CLCHRB-24-NG | 24" | 610 | 80,000 | 213 | 96.6 |
| CLCHRB-36-NG | 36" | 914 | 120,000 | 324 | 147.0 |
| CLCHRB-48-NG | 48" | 1219 | 160,000 | 415 | 188.2 |

* BTU rating of 40,000 per 12" on natural gas (-NG) units;
 38,000 BTU per 12" when converted to liquid propane.

Lava Rock Units

| model # | width | | BTU rating | weight | |
|---------------|-------|------|---------------|--------|-------|
| | in. | mm | | lbs. | kg |
| CLCHRBL-24-NG | 24" | 610 | 64,000 | 213 | 96.6 |
| CLCHRBL-36-NG | 36" | 914 | 96,000 | 324 | 147.0 |
| CLCHRBL-48-NG | 48" | 1219 | 128,000 | 415 | 188.2 |

Optional Removable Griddle Plate

12" (305mm) wide. Replaces two cooking grates.

| model # | weight | |
|---------|--------|------|
| | lbs. | kg |
| RGP-2 | 86 | 39.0 |



charbroiler
with optional
removable griddle plate

EAGLE GROUP
 100 Industrial Boulevard, Clayton, DE 19938-8903 USA
 Phone: 302-653-3000 or 800-441-8440 • Fax: 302-653-2065
 www.eaglegrp.com • www.eaglegrpnews.com • www.eaglehmc.com

Printed in U.S.A.
 ©2022 by Eagle Group
 Rev. 12/22

Spec sheets available for viewing, printing or downloading from our online literature library at our websites

Although every attempt has been made to ensure the accuracy of the information provided, we cannot be held responsible for typographical or printing errors. Information and specifications are subject to change without notice. Please confirm at time of order.