



Profit from the Eagle Advantage®

Specification Sheet

Short Form Specifications

Eagle RedHots® Built-In Heated Drawer, model _____ . Heavy duty stainless steel construction with 1½" fiberglass insulation. Stainless steel drawer liners are 12" x 20" x 6½" deep and will accept standard steam table pans. Each drawer features individual heater, recessed thermostat control, thermometer and indicator light. Adjustable louver to retain product moisture.



2-drawer built-in model

Options / Accessories

- Perforated well pan bottom

Item No.: _____
Project No.: _____
S.I.S. No.: _____

RedHots® Heated Drawers —Built-In Units

MODELS:

- | | | |
|--------------------------------------|--------------------------------------|--------------------------------------|
| <input type="checkbox"/> DWW-1BI-120 | <input type="checkbox"/> DWW-2BI-120 | <input type="checkbox"/> DWW-3BI-120 |
| <input type="checkbox"/> DWW-1BI-240 | <input type="checkbox"/> DWW-2BI-240 | <input type="checkbox"/> DWW-3BI-240 |
| <input type="checkbox"/> DWN-1BI-120 | <input type="checkbox"/> DWN-2BI-120 | <input type="checkbox"/> DWN-3BI-120 |
| <input type="checkbox"/> DWN-1BI-240 | <input type="checkbox"/> DWN-2BI-240 | <input type="checkbox"/> DWN-3BI-240 |

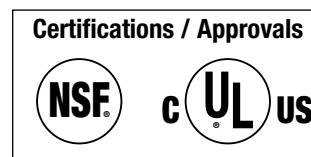
Design and Construction Features

- All drawer liners are 12" x 20" x 6½" deep (305 x 508 x 165mm).
- Standard 1-, 2-, or 3-drawer models.
- Individual recessed thermostat control and indicator lamp for each drawer.
- Heating element configuration heats quickly and evenly from 100° to 200°F.
- Adjustable louvers on each drawer retain ideal product moisture levels.
- Drawers are interchangeable.
- Drawers include stainless steel liners that accept standard full-size and fractional steam table pans up to 6" (152mm) deep.
- Units are provided with 4' (1219mm) flexible steel conduit and wiring.
- NSF and UL approved.
- Freestanding units available—see spec sheet #EG35.15.

EAGLE GROUP

100 Industrial Boulevard, Clayton, DE 19938-8903 USA
Phone: 302-653-3000 • 800-441-8440 • Fax: 302-653-2065
www.eaglegrp.com
www.eaglegrpnews.com
www.eaglemhc.com

For custom configuration or fabrication needs, contact our SpecFAB® Division.
Phone: 302-653-3000 • Fax: 302-653-2065 • e-mail: quotes@eaglegrp.com



EG35.16 Rev. 12/22

Spec sheets available for viewing, printing or downloading from our online literature library at our websites

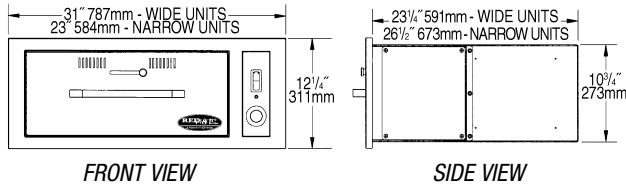
Eagle Foodservice Equipment, Eagle MHC, and SpecFAB® are divisions of Eagle Group. ©2022 by the Eagle Group



Item No.: _____
 Project No.: _____
 S.I.S. No.: _____

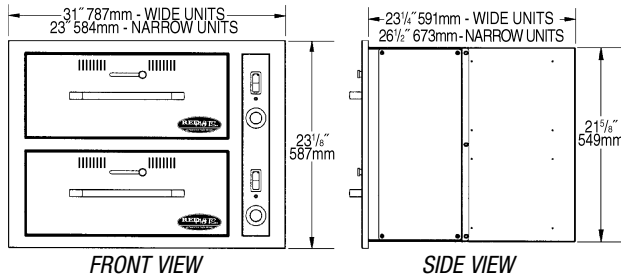
RedHots® Heated Drawers—Built-In Units

1-Drawer Units



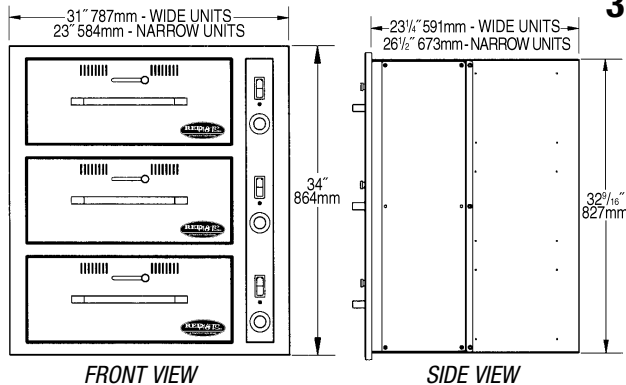
model #	overall dimensions		weight lbs. kg	electrical data
	width inches	depth x height mm		
WIDE UNITS				
DWW-1BI-120	29 3/4"	23 3/8" x 10 1/8"	756 x 606 x 276	143 64.9 120V, 3.75A, 450W
DWW-1BI-240	29 3/4"	23 3/8" x 10 1/8"	756 x 606 x 276	143 64.9 240V, 1.88A, 450W
NARROW UNITS				
DWN-1BI-120	21 3/4"	26 5/8" x 10 1/8"	553 x 676 x 276	143 64.9 120V, 3.75A, 450W
DWN-1BI-240	21 3/4"	26 5/8" x 10 1/8"	553 x 676 x 276	143 64.9 240V, 1.88A, 450W

2-Drawer Units

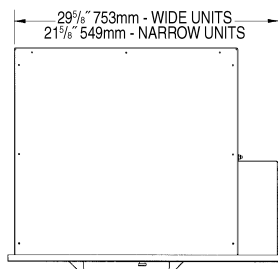


model #	overall dimensions		weight lbs. kg	electrical data
	width inches	depth x height mm		
WIDE UNITS				
DWW-2BI-120	29 3/4"	23 3/8" x 21 3/8"	756 x 606 x 553	182 82.6 120V, 7.5A, 900W
DWW-2BI-240	29 3/4"	23 3/8" x 21 3/8"	756 x 606 x 553	182 82.6 240V, 3.75A, 900W
NARROW UNITS				
DWN-2BI-120	21 3/4"	26 5/8" x 21 3/8"	533 x 676 x 553	182 82.6 120V, 7.5A, 900W
DWN-2BI-240	21 3/4"	26 5/8" x 21 3/8"	533 x 676 x 553	182 82.6 240V, 3.75A, 900W

3-Drawer Units



model #	overall dimensions		weight lbs. kg	electrical data
	width inches	depth x height mm		
WIDE UNITS				
DWW-3BI-120	29 3/4"	23 3/8" x 32 1/8"	756 x 606 x 829	268 121.6 120V, 11.25A, 1350W
DWW-3BI-240	29 3/4"	23 3/8" x 32 1/8"	756 x 606 x 829	268 121.6 240V, 5.63A, 1350W
NARROW UNITS				
DWN-3BI-120	21 3/4"	26 5/8" x 32 1/8"	553 x 676 x 829	268 121.6 120V, 11.25A, 1350W
DWN-3BI-240	21 3/4"	26 5/8" x 32 1/8"	553 x 676 x 829	268 121.6 240V, 5.63A, 1350W



TOP VIEW
OF ALL
UNITS

EAGLE GROUP
 100 Industrial Boulevard, Clayton, DE 19938-8903 USA
 Phone: 302-653-3000 or 800-441-8440 • Fax: 302-653-2065
 www.eaglegrp.com • www.eaglegrpnews.com • www.eaglehmc.com

Printed in U.S.A.
 ©2022 by Eagle Group
 Rev. 12/22

Spec sheets available for viewing, printing or downloading from our online literature library at our websites

Although every attempt has been made to ensure the accuracy of the information provided, we cannot be held responsible for typographical or printing errors. Information and specifications are subject to change without notice. Please confirm at time of order.