



Profit from the Eagle Advantage®

# Specification Sheet

## Short Form Specifications

Eagle RedHots® Countertop Cooker/Warmer, model \_\_\_\_\_ . Highly polished exterior body, with deep drawn 304 stainless steel heat well. Thermostat control and "On" indicator light with temperature range of 100° to 450°F: 100° to 212°F in wet operation, 100° to 450°F in dry operation.



#1220CWD-120 cooker/warmer shown with optional food pan



#11QCW-120 cooker/warmer

## Options / Accessories

- Rolltop cover
- Adapter tops
- Round inset/lids
- Food pans/lids

## EAGLE GROUP

100 Industrial Boulevard, Clayton, DE 19938-8903 USA  
 Phone: 302-653-3000 • 800-441-8440 • Fax: 302-653-2065  
[www.eaglegrp.com](http://www.eaglegrp.com)  
[www.eaglegrpnews.com](http://www.eaglegrpnews.com)  
[www.eaglegrp.com](http://www.eaglegrp.com)

For custom configuration or fabrication needs, contact our SpecFAB® Division.  
 Phone: 302-653-3000 • Fax: 302-653-2065 • e-mail: [quotes@eaglegrp.com](mailto:quotes@eaglegrp.com)

Item No.: \_\_\_\_\_  
 Project No.: \_\_\_\_\_  
 S.I.S. No.: \_\_\_\_\_

# RedHots® Countertop Cooker/Warmers

## MODELS:

- |                                      |                                    |                                 |
|--------------------------------------|------------------------------------|---------------------------------|
| <input type="checkbox"/> 1220CWD-120 | <input type="checkbox"/> 11QCW-208 | <input type="checkbox"/> 501913 |
| <input type="checkbox"/> 1220CWD-208 | <input type="checkbox"/> 11QCW-240 | <input type="checkbox"/> 501914 |
| <input type="checkbox"/> 1220CWD-240 | <input type="checkbox"/> 501600    | <input type="checkbox"/> 501915 |
| <input type="checkbox"/> 11QCW-120   | <input type="checkbox"/> 501912    | <input type="checkbox"/> 501585 |

## Design and Construction Features

- Thermostatic controls, with range setting from 100°F to 450°F, assure proper temperature for warming or holding hot foods at desired temperature.
- "ON" indicator light.
- Wet or dry operation.
- 6' cord and 15-amp 125-volt plug (NEMA 5-15).
- Available in 120-, 208-, and 240-volt models.
- Single-phase, 60-cycle electricity.
- Deep-drawn stainless steel heat well.

## Units with 12" x 20" Well us

- Heat well opening is 12" x 20" (305 x 508mm), deep-drawn out of type 304 series stainless steel, providing either wet or dry operation.
- All units feature 11" (279mm) height.

## Units with Round Well

- Round well accommodates an 11-qt. (10.4 liter) round inset.
- All units feature 10 3/4" (273mm) height.

**To set up for wet operation:**

- Fill well so that water (190°F min.) will touch bottom of food pan. Cover well.
- Set control to highest setting for 45 minutes, then adjust controls for proper food temperature. This will vary per type of food, pans, and individual serving temperature.

**Certifications / Approvals**

AutoQuotes

EG35.01 Rev. 12/22

**Spec sheets available for viewing, printing or downloading from our online literature library at our websites**

Eagle Foodservice Equipment, Eagle MHC, and SpecFAB® are divisions of Eagle Group. ©2022 by the Eagle Group

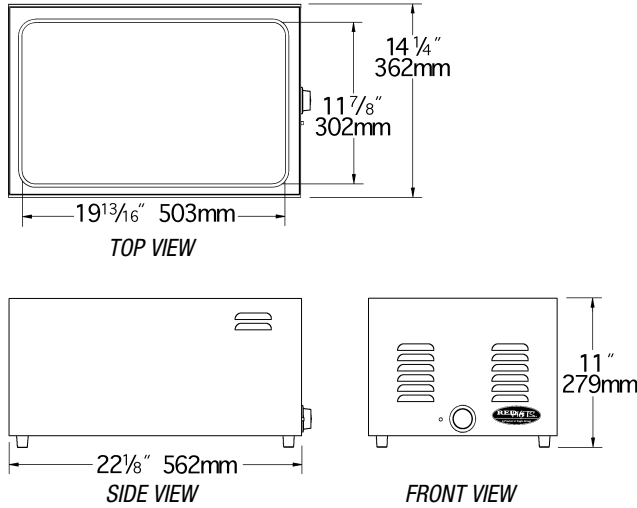


Profit from the Eagle Advantage®

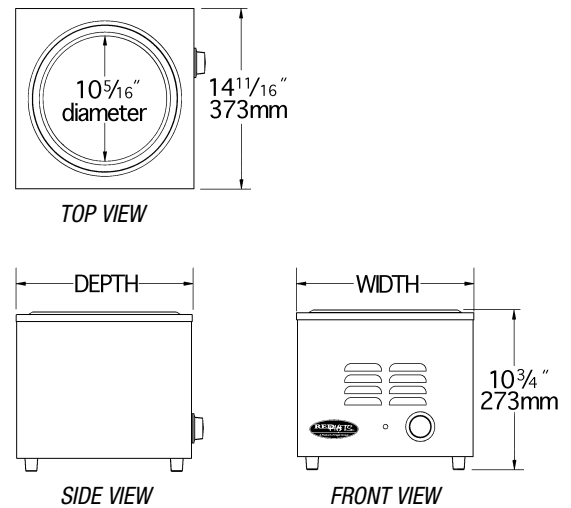
Item No.: \_\_\_\_\_  
 Project No.: \_\_\_\_\_  
 S.I.S. No.: \_\_\_\_\_

# RedHots® Countertop Cooker/Warmers

## Units with 12" x 20" (305 x 508mm) Well



## Units with Round Well



### Units with 12" x 20" (305 x 508mm) Well

Features deep drawn type 304 stainless steel 12" x 20" (305 x 508mm) opening, providing wet or dry operation.

| 120-VOLT MODELS |                  | 208-VOLT MODELS |                   | 240-VOLT MODELS |                   | width                            |     | depth                            |     | weight |      | # of wells |
|-----------------|------------------|-----------------|-------------------|-----------------|-------------------|----------------------------------|-----|----------------------------------|-----|--------|------|------------|
| model #         | electrical data  | model #         | electrical data   | model #         | electrical data   | in.                              | mm  | in.                              | mm  | lbs.   | kg   |            |
| 1220CWD-120     | 120V, 10A, 1200W | 1220CWD-208     | 208V, 5.8A, 1200W | 1220CWD-240     | 240V, 5.0A, 1200W | 14 <sup>1</sup> / <sub>4</sub> " | 362 | 22 <sup>1</sup> / <sub>8</sub> " | 562 | 32     | 14.5 | 1          |

### Units with Round Well

These units hold one 11-qt. (10.4 liters) round inset. 10<sup>3</sup>/<sub>4</sub>" (273mm) height.

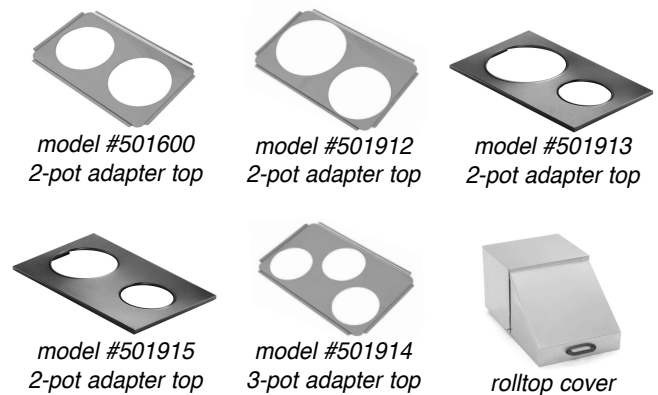
| 120-VOLT MODELS |                  | 208-VOLT MODELS |                  | 240-VOLT MODELS |                  | width                            |     | depth                            |     | weight |     | capacity    |
|-----------------|------------------|-----------------|------------------|-----------------|------------------|----------------------------------|-----|----------------------------------|-----|--------|-----|-------------|
| model #         | electrical data  | model #         | electrical data  | model #         | electrical data  | in.                              | mm  | in.                              | mm  | lbs.   | kg  | qts. liters |
| 11QCW-120       | 120V, 6.3A, 750W | 11QCW-208       | 208V, 2.7A, 562W | 11QCW-240       | 240V, 3.1A, 750W | 14 <sup>1</sup> / <sub>4</sub> " | 373 | 16 <sup>1</sup> / <sub>4</sub> " | 424 | 20     | 9.0 | 11 10.4     |

## Accessories for RedHots® Countertop Food Warmers

For information on additional accessories, please consult our Foodservice Reference Guide.

### Adapter Tops

| model # | description   | weight lbs. | kg  |
|---------|---|-------------|-----|
| 501600  | two 8 <sup>1</sup> / <sub>2</sub> " (216mm)-dia. inserts, each for 7 qts. (6.6 L)   | 4           | 1.8 |
| 501912  | one 8 <sup>1</sup> / <sub>2</sub> " (216mm)-dia. insert for 7 qts (6.6 L), and one 10 <sup>1</sup> / <sub>2</sub> " (267mm)-dia. insert for 11 qts. (10.4 L)  | 4           | 1.8 |
| 501913  | one 6 <sup>1</sup> / <sub>2</sub> " (165mm)-dia. insert for 4 qts. (3.8 L), and one 10 <sup>1</sup> / <sub>2</sub> " (267mm)-dia. insert for 11 qts. (10.4 L) | 4           | 1.8 |
| 501915  | one 6 <sup>1</sup> / <sub>2</sub> " (165mm)-dia. insert for 4 qts. (3.8 L), and one 8 <sup>1</sup> / <sub>2</sub> " (216mm)-dia. insert for 7 qts (6.6 L)     | 4           | 1.8 |
| 501914  | three 6 <sup>1</sup> / <sub>2</sub> " (165mm)-dia. inserts, each for 4 qts. (3.8 L)   | 4           | 1.8 |



### Rolltop Cover

| model # | description  | weight lbs. | kg  |
|---------|--|-------------|-----|
| 501585  | 13 <sup>1</sup> / <sub>4</sub> " width x 20 <sup>1</sup> / <sub>4</sub> " length x 11 <sup>1</sup> / <sub>4</sub> " height (349 x 527 x 299mm), fits 12" x 20" (305 x 508mm) opening | 15          | 6.8 |

## EAGLE GROUP

100 Industrial Boulevard, Clayton, DE 19938-8903 USA

Phone: 302-653-3000 or 800-441-8440 • Fax: 302-653-2065

www.eaglegrp.com • www.eaglegrpnews.com • www.eaglehmc.com

Printed in U.S.A.  
 ©2022 by Eagle Group

Rev. 12/22

Spec sheets available for viewing, printing or downloading from our online literature library at our websites

Although every attempt has been made to ensure the accuracy of the information provided, we cannot be held responsible for typographical or printing errors. Information and specifications are subject to change without notice. Please confirm at time of order.