

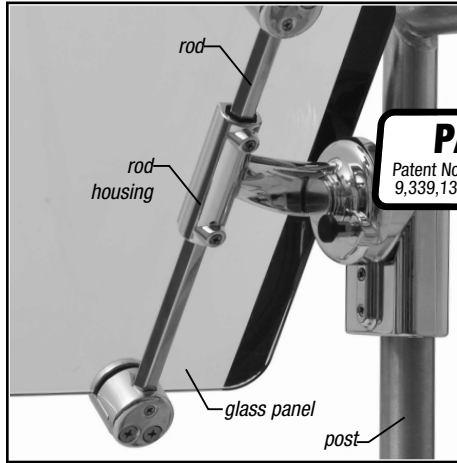


Profit from the Eagle Advantage®

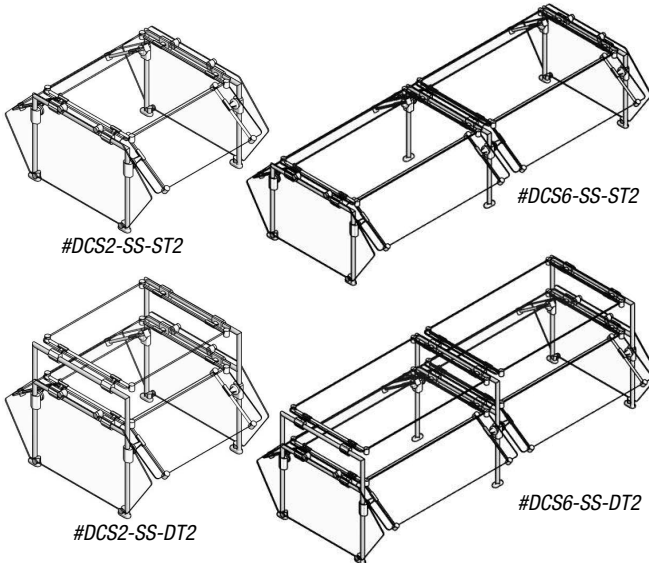
Specification Sheet

Short Form Specifications

Eagle Group Spec-SHIELD™ Self-Service Buffet Food Guard, model # _____. Self-service buffet food shield designed to meet NSF requirements. Front and rear allow maximum customer access to the food product while maximizing protection. Available in single- or double-tier models.



PATENTED
Patent Nos. 9,538,868; 9,516,958;
9,339,131; 9,326,621; 9,723,935



Item No.: _____
Project No.: _____
S.I.S. No.: _____

Spec-SHIELD™ Self-Service Buffet Food Guards

MODELS:

- DCS2-SS-ST2
- DCS2-SS-DT2
- DCS4-SS-DT2-NC
- DCS3-SS-ST2
- DCS3-SS-DT2
- DCS4-SS-ST2-NC
- DCS4-SS-ST2
- DCS4-SS-DT2
- DCS5-SS-ST2
- DCS5-SS-DT2
- DCS6-SS-ST2
- DCS6-SS-DT2

Design and Construction Features

- No holes in glass panels allows for flexibility in mounting locations
- Front glass is adjustable vertically and may be rotated on 18° increments
- Top glass is adjustable horizontally.
- 1" stainless steel posts
- Mounting plates are cast aluminum with stainless steel covers
- Die cast aluminum with chrome finish brackets
- 3/4" radius corners on all glass panels
- Top glass is 3/8" thick
- Front glass is 1/4" thick. Optional 3/8" thick front glass required for spans over 54"
- End glass included

Options / Accessories

- Heat lamps
- Lights
- 3 3/8" round mounting plate
- 3" Oval mounting plate
- 3" Oval offset mounting plate
- 2" x 8" rectangular mounting plate
- 3-point anchor
- Custom lengths available

⚠ WARNING:

This product can expose you to chemicals including Chromium, which is known to the state of California to cause cancer and birth defects or other reproductive harm. For more information, go to www.P65Warnings.ca.gov.

EAGLE GROUP

100 Industrial Boulevard, Clayton, DE 19938-8903 USA
Phone: 302-653-3000 • 800-441-8440 • Fax: 302-653-2065
www.eaglegrp.com
www.eaglegrpnews.com
www.eaglemhc.com

For custom configuration or fabrication needs, contact our SpecFAB® Division.
Phone: 302-653-3000 • Fax: 302-653-2065 • e-mail: quotes@eaglegrp.com

Certifications / Approvals



AutoQuotes



EG33.24B Rev. 10/22

Spec sheets available for viewing, printing or downloading from our online literature library at www.eaglegrp.com

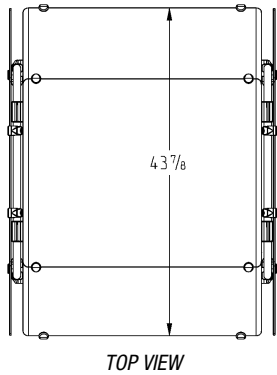
Eagle Foodservice Equipment, Eagle MHC, and SpecFAB® are divisions of Eagle Group. ©2022 by the Eagle Group



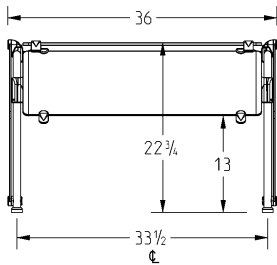
Item No.: _____
 Project No.: _____
 S.I.S. No.: _____

Spec-SHIELD™ Self-Service Buffet Food Guards

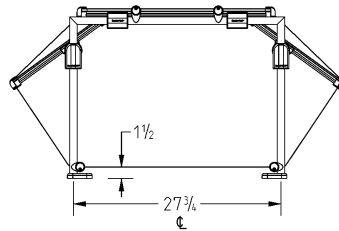
Single-Tier



TOP VIEW



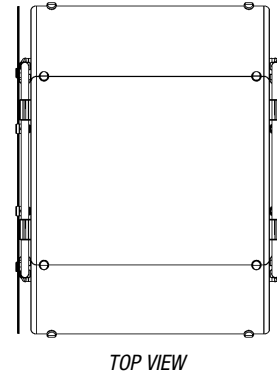
FRONT VIEW



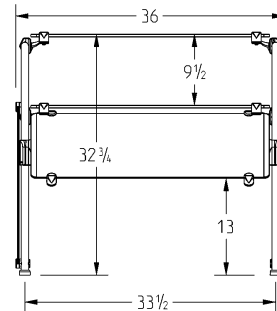
SIDE VIEW

(model #DCS2-SS-ST2 shown)

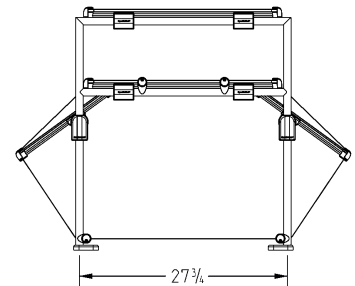
Double-Tier



TOP VIEW



FRONT VIEW



SIDE VIEW

(model #DCS2-SS-DT2 shown)

(note: 36-inch models shown)

fits Series	# of leg assemblies	length		weight		model #	weight		model #
		in.	mm	lbs.	kg		lbs.	kg	
DCS2	2	36"	914	313	142.0	DCS2-SS-ST2	399	181.0	DCS2-SS-DT2
DCS3	2	50"	1270	349	158.3	DCS3-SS-ST2	448	203.2	DCS3-SS-DT2
DCS4	2	64"	1626	408	185.1	DCS4-SS-ST2-NC*	519	235.4	DCS4-SS-DT2-NC*
DCS4	3	64"	1626	400	181.4	DCS4-SS-ST2**	515	233.6	DCS4-SS-DT2**
DCS5	3	78"	1981	435	197.3	DCS5-SS-ST2**	563	255.4	DCS5-SS-DT2**
DCS6	3	96"	2438	476	215.9	DCS6-SS-ST2**	624	283.1	DCS6-SS-DT2**

* Front and top glass are 3/8" thick.
 ** Unit comes with mid support post.

EAGLE GROUP

100 Industrial Boulevard, Clayton, DE 19938-8903 USA

Phone: 302-653-3000 or 800-441-8440 • Fax: 302-653-2065

www.eaglegrp.com • www.eaglegrpnews.com • www.eaglehmc.com

Printed in U.S.A.
 ©2022 by Eagle Group

Rev. 10/22

Spec sheets available for viewing, printing or downloading from our online literature library at www.eaglegrp.com

Although every attempt has been made to ensure the accuracy of the information provided, we cannot be held responsible for typographical or printing errors. Information and specifications are subject to change without notice. Please confirm at time of order.