

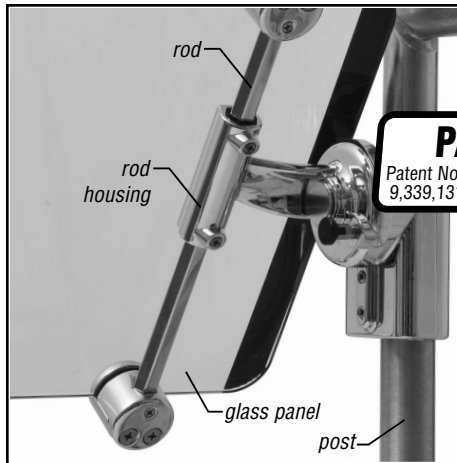


Profit from the Eagle Advantage®

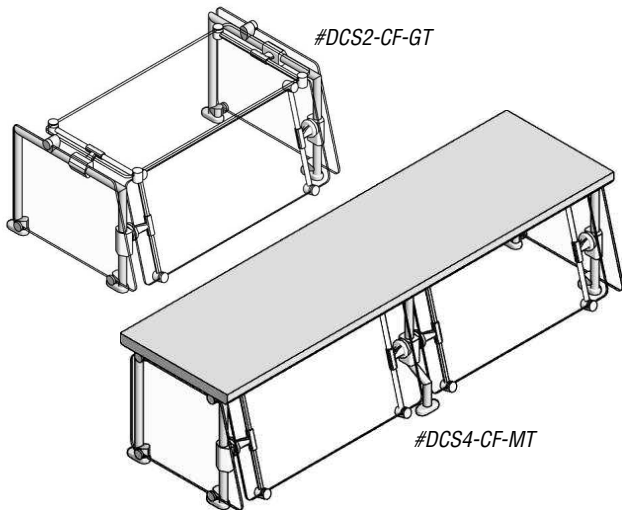
# Specification Sheet

## Short Form Specifications

Eagle Group Spec-SHIELD™ Cafeteria Food Guards, model # \_\_\_\_\_ . Cafeteria food shield designed to meet NSF requirements. Front allows maximum customer view of the food product while maximizing protection. Rear allows full access by the kitchen staff for replenishing product. Available in single- or double-tier models.



**PATENTED**  
Patent Nos. 9,538,868; 9,516,958;  
9,339,131; 9,326,621; 9,723,935



Item No.: \_\_\_\_\_  
Project No.: \_\_\_\_\_  
S.I.S. No.: \_\_\_\_\_

## Spec-SHIELD™ Cafeteria Food Guards with Glass or Solid Top

### MODELS:

- DCS2-CF-GT
- DCS3-CF-GT
- DCS4-CF-GT
- DCS5-CF-GT
- DCS6-CF-GT
- DCS2-CF-MT
- DCS3-CF-MT
- DCS4-CF-MT
- DCS5-CF-MT
- DCS6-CF-MT

### Design and Construction Features

- No holes in glass panels allows for flexibility in mounting locations
- Front glass is adjustable vertically and may be rotated on 18° increments
- Top glass is adjustable horizontally.
- 1" stainless steel posts
- Mounting plates are cast aluminum with stainless steel covers
- Die cast aluminum with chrome finish brackets
- 3/4" radius corners on all glass panels
- Top glass (on models with glass top) is 3/8" thick
- Front glass is 1/4" thick. Optional 3/8" thick. Required for spans over 54".
- End glass included
- Units 60" and longer require mid post

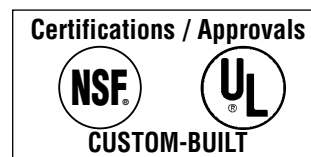
### Options / Accessories

- Heat lamps
- Lights
- 3 3/8" round mounting plate
- 3" Oval mounting plate
- 3" Oval offset mounting plate
- 2" x 8" rectangular mounting plate
- 3-point anchor
- Custom lengths available

**EAGLE GROUP**  
100 Industrial Boulevard, Clayton, DE 19938-8903 USA  
Phone: 302-653-3000 • Fax: 302-653-2065  
www.eaglegrp.com

**Foodservice Division: Phone 800-441-8440**  
**MHC/Retail Display Divisions: Phone 800-637-5100**

For custom configuration or fabrication needs, contact our **SpecFAB®** Division.  
Phone: 302-653-3000 • Fax: 302-653-2065 • e-mail: quotes@eaglegrp.com



EG33.24C Rev. 05/18

**Spec sheets available for viewing, printing or downloading from our online literature library at [www.eaglegrp.com](http://www.eaglegrp.com)**

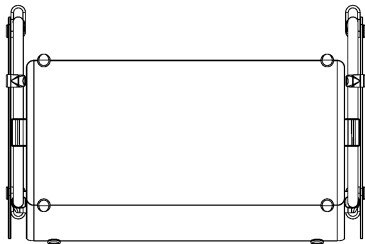
Eagle Foodservice Equipment, Eagle MHC, SpecFAB®, and Retail Display are divisions of Eagle Group. ©2018 by the Eagle Group



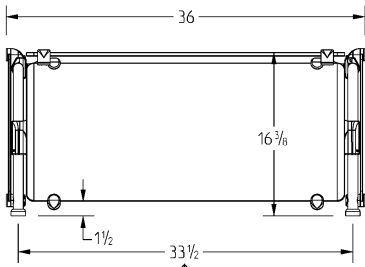
Item No.: \_\_\_\_\_  
 Project No.: \_\_\_\_\_  
 S.I.S. No.: \_\_\_\_\_

## Spec-SHIELD™ Cafeteria Food Guards with Glass or Solid Top

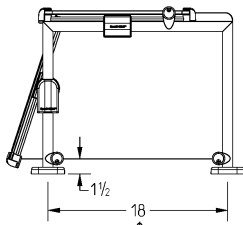
...with Glass Top



TOP VIEW

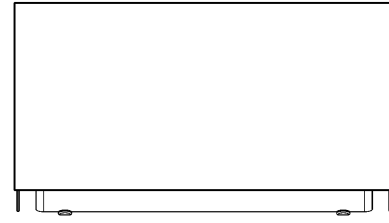


FRONT VIEW

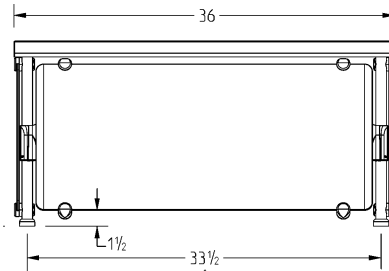


SIDE VIEW

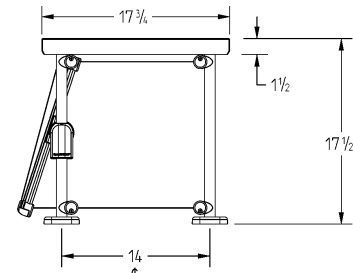
...or with Solid Top



TOP VIEW



FRONT VIEW



SIDE VIEW

(note: 36-inch models shown)

### Cafeteria Food Guards

fits Series	# of legs	length		WITH GLASS TOP	WITH SOLID TOP
		in.	mm	model #	model #
DCS2	2	36"	914	<b>DCS2-CF-GT</b>	<b>DCS2-CF-MT</b>
DCS3	2	50"	1270	<b>DCS3-CF-GT</b>	<b>DCS3-CF-MT</b>
DCS4	3	64"	1626	<b>DCS4-CF-GT*</b>	<b>DCS4-CF-MT*</b>
DCS5	3	78"	1981	<b>DCS5-CF-GT*</b>	<b>DCS5-CF-MT*</b>
DCS6	3	96"	2438	<b>DCS6-CF-GT*</b>	<b>DCS6-CF-MT*</b>

\* Unit comes with mid support post.

**EAGLE GROUP**  
 100 Industrial Boulevard, Clayton, DE 19938-8903 USA  
 Phone: 302-653-3000 • Fax: 302-653-2065  
 www.eaglegrp.com

Foodservice Division: Phone 800-441-8440  
 MHC/Retail Display Divisions: Phone 800-637-5100

Printed in U.S.A.  
 ©2018 by Eagle Group

Rev. 05/18

Spec sheets available for viewing, printing or downloading from our online literature library at [www.eaglegrp.com](http://www.eaglegrp.com)

Although every attempt has been made to ensure the accuracy of the information provided, we cannot be held responsible for typographical or printing errors. Information and specifications are subject to change without notice. Please confirm at time of order.