

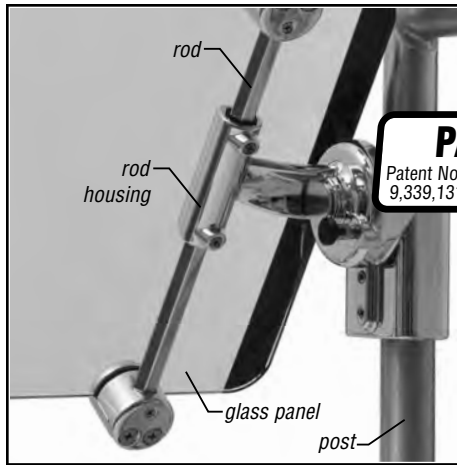


Profit from the Eagle Advantage®

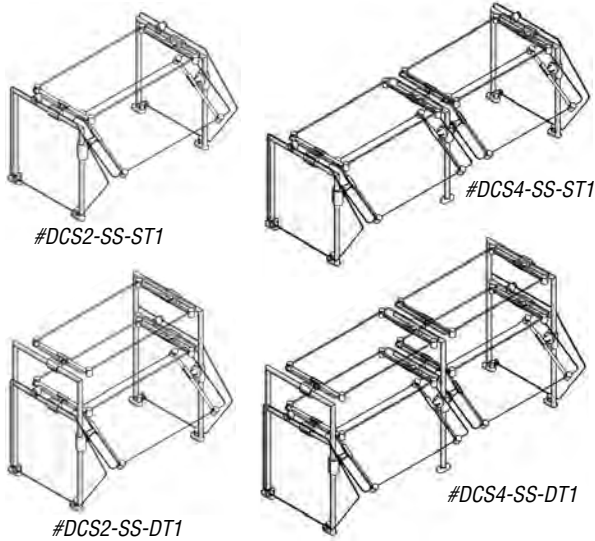
# Specification Sheet

## Short Form Specifications

Eagle Group Spec-SHIELD™ Self-Service Food Guard, model # \_\_\_\_\_. Self-service food shield designed to meet NSF requirements. Front allows maximum customer access to the food product while maximizing protection. Rear allows full access by the kitchen staff for replenishing product. Available in single or double tier models.



**PATENTED**  
Patent Nos. 9,538,868; 9,516,958;  
9,339,131; 9,326,621; 9,723,935



Item No.: \_\_\_\_\_  
Project No.: \_\_\_\_\_  
S.I.S. No.: \_\_\_\_\_

# Spec-SHIELD™ Self-Service Food Guards

- MODELS:**
- DCS2-SS-ST1
  - DCS3-SS-ST1
  - DCS4-SS-ST1
  - DCS5-SS-ST1
  - DCS6-SS-ST1
  - DCS2-SS-DT1
  - DCS3-SS-DT1
  - DCS4-SS-DT1
  - DCS5-SS-DT1
  - DCS6-SS-DT1

## Design and Construction Features

- No holes in glass panels allows for flexibility in mounting locations
- Front glass is adjustable vertically and may be rotated on 18° increments
- Top glass is adjustable horizontally.
- 1" stainless steel posts
- Mounting plates are cast aluminum with stainless steel covers
- Die cast aluminum with chrome finish brackets
- 3/4" radius corners on all glass panels
- Top glass is 3/8" thick
- Front glass is 1/4" thick. Optional 3/8" thick. Required for spans over 54".
- End glass included
- Units 60" and longer require mid post

## Options / Accessories

- Heat lamps
- Lights
- 3 3/8" round mounting plate
- 3" Oval mounting plate
- 3" Oval offset mounting plate
- 2" x 8" rectangular mounting plate
- 3-point anchor
- Custom lengths available

**EAGLE GROUP**  
100 Industrial Boulevard, Clayton, DE 19938-8903 USA  
Phone: 302-653-3000 • Fax: 302-653-2065  
www.eaglegrp.com

**Foodservice Division: Phone 800-441-8440**  
**MHC/Retail Display Divisions: Phone 800-637-5100**

For custom configuration or fabrication needs, contact our **SpecFAB® Division**.  
Phone: 302-653-3000 • Fax: 302-653-2065 • e-mail: quotes@eaglegrp.com



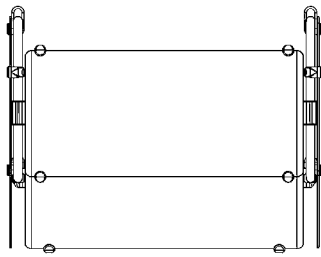
**Spec sheets available for viewing, printing or downloading from our online literature library at [www.eaglegrp.com](http://www.eaglegrp.com)**



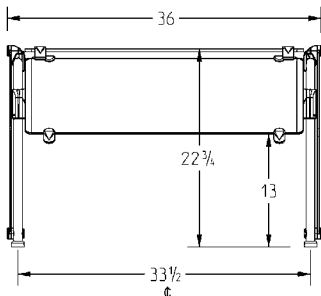
Item No.: \_\_\_\_\_  
 Project No.: \_\_\_\_\_  
 S.I.S. No.: \_\_\_\_\_

# Spec-SHIELD™ Self-Service Food Guards

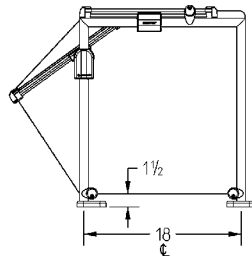
## Single-Tier



TOP VIEW



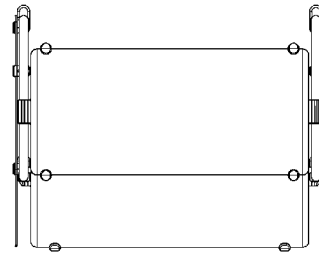
FRONT VIEW



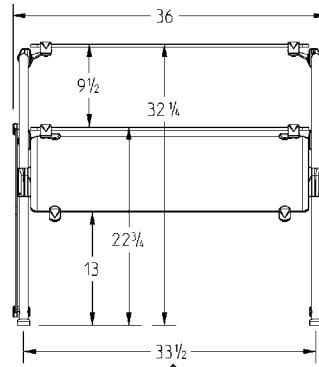
SIDE VIEW

(model #DCS2-SS-ST1 shown)

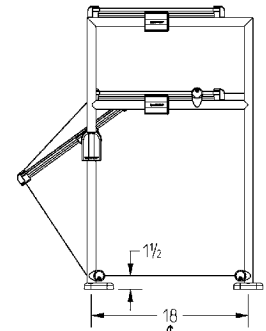
## Double-Tier



TOP VIEW



FRONT VIEW



SIDE VIEW

(model #DCS2-SS-DT1 shown)

(note: 36-inch models shown)

### Self-Service Food Guards

fits Series	# of legs	length		SINGLE-TIER	DOUBLE-TIER
		in.	mm	model #	model #
DCS2	2	36"	914	<b>DCS2-SS-ST1</b>	<b>DCS2-SS-DT1</b>
DCS3	2	50"	1270	<b>DCS3-SS-ST1</b>	<b>DCS3-SS-DT1</b>
DCS4	3	64"	1626	<b>DCS4-SS-ST1*</b>	<b>DCS4-SS-DT1*</b>
DCS5	3	78"	1981	<b>DCS5-SS-ST1*</b>	<b>DCS5-SS-DT1*</b>
DCS6	3	96"	2438	<b>DCS6-SS-ST1*</b>	<b>DCS6-SS-DT1*</b>

\* Unit comes with mid support post.

**EAGLE GROUP**  
 100 Industrial Boulevard, Clayton, DE 19938-8903 USA  
 Phone: 302-653-3000 • Fax: 302-653-2065  
 www.eaglegrp.com

Foodservice Division: Phone 800-441-8440  
 MHC/Retail Display Divisions: Phone 800-637-5100

Printed in U.S.A.  
 ©2018 by Eagle Group

Rev. 05/18

Spec sheets available for viewing, printing or downloading from our online literature library at [www.eaglegrp.com](http://www.eaglegrp.com)

Although every attempt has been made to ensure the accuracy of the information provided, we cannot be held responsible for typographical or printing errors. Information and specifications are subject to change without notice. Please confirm at time of order.