



Profit from the Eagle Advantage®

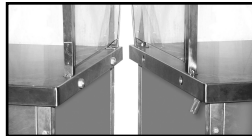
Specification Sheet

Short Form Specifications

Eagle Director's Choice® Solid Top Utility Cart, model _____ . Top to be 16/304 stainless steel turned down on all sides. 1½" square type 304 stainless steel all-welded tubular base. Stainless steel apron on operator's side. Fully mobile with 5" poly tread casters, two with brake. Quick release spring loaded docking device keeps adjoining units together. Standard laminate front panel is holly berry red (Wilsonart® #D307-60).



solid top utility cart shown with optional double-tiered sneeze guard, optional side laminate panels, and optional tray slide



exclusive docking device joins units together without the use of tools

Options / Accessories

- Laminated end panels
- Stainless steel end panels
- Stainless steel front panel
- Stainless steel tray slide*
- Work shelf **
- Rear door and panels***
- Sneeze guards - single tier
- Sneeze guards - double tier
- Display lights for overshelf
- Removable stainless undershelf
- Specify laminate _____
- Custom options

* Available in solid ribbed, square tubular or round tubular. For front, rear, or ends.

** Available in hardwood, stainless steel, poly, or Richlite®. For front, rear, or ends.

*** Available in hinged, solid, or lowered

EAGLE GROUP

100 Industrial Boulevard, Clayton, DE 19938-8903 USA
Phone: 302-653-3000 • 800-441-8440 • Fax: 302-653-2065
www.eaglegrp.com
www.eaglegrpnews.com
www.eaglemhc.com

For custom configuration or fabrication needs, contact our SpecFAB® Division.
Phone: 302-653-3000 • Fax: 302-653-2065 • e-mail: quotes@eaglegrp.com

Item No.: _____
 Project No.: _____
 S.I.S. No.: _____

Director's Choice® Solid Top Utility Carts

MODELS:

- DCS2-STU DCS5-STU
- DCS3-STU DCS6-STU
- DCS4-STU

Design and Construction Features

- 30" (762mm) wide top is solid, constructed of 16 gauge type 304 stainless steel, die-formed, welded, polished, and reinforced with hat channel.
- Welded 1½" (38mm) type 304 stainless steel square tubular base construction.
- Open-base frame features type 304 stainless steel apron on operator's side.
- Three working heights available – see Catalog Sheet EG33.07A:
 - 34" (864mm) standard working height complies with ADA guidelines for accessibility standards.
 - 30" (762mm) for middle schools.
 - 28" (711mm) low profile for elementary schools and nursing/healthcare facilities.
- Fully mobile - standard 5" (127mm) poly tread casters, two with brake (brake casters on server side).
- Tray slide heights* available – see Catalog Sheet EG33.07A:
 - 31" (787mm) standard height for high schools
 - 27" (686mm) standard height for middle schools
 - 25" (635mm) height for elementary schools and nursing/healthcare facilities.
- Standard front holly berry red (Wilsonart® D307-60) laminate mounted on 18 gauge galvanized subpanel.
- Quick-release spring-loaded docking device keeps adjoining units together without the use of tools.
- All units accommodate optional accessories, including tray slides, work shelves, and removable undershelves. See Catalog Sheet EG33.07A.

Certifications / Approvals



AutoQuotes



EG33.04 Rev. 07/23

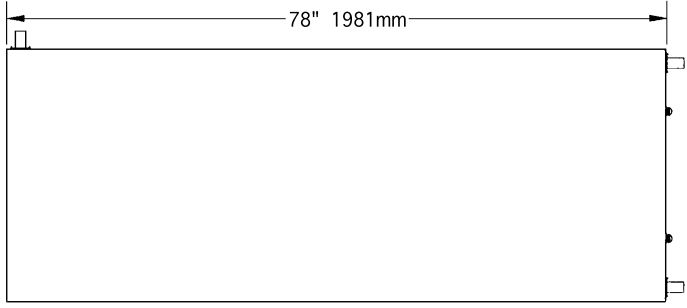
Spec sheets available for viewing, printing or downloading from our online literature library at our websites

Eagle Foodservice Equipment, Eagle MHC, and SpecFAB® are divisions of Eagle Group. ©2023 by the Eagle Group



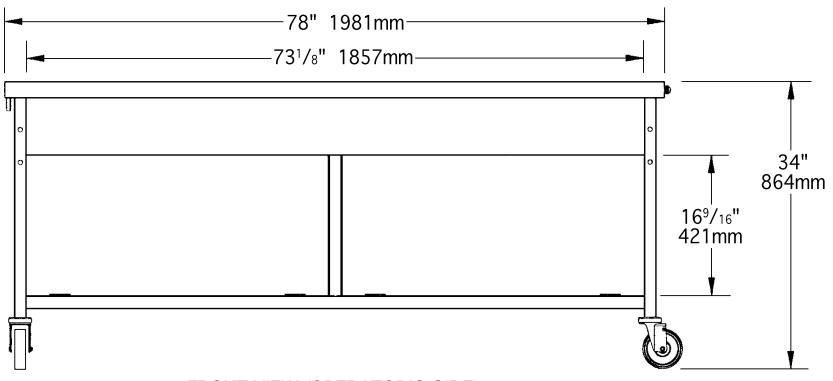
Item No.: _____
 Project No.: _____
 S.I.S. No.: _____

Director's Choice® Solid Top Utility Carts

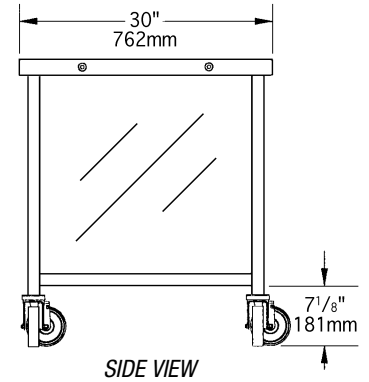


TOP VIEW

Please note: 78" (1981mm) model shown with optional laminate end panels



FRONT VIEW (OPERATOR'S SIDE)



SIDE VIEW

model #	length		weight	
	in.	mm	in.	mm
DCS2-STU	36"	914	115	52.2
DCS3-STU	50"	1270	155	70.3
DCS4-STU	64"	1626	180	81.6
DCS5-STU	78"	1981	205	93.0
DCS6-STU	96"	2438	245	111.1

Optional laminate end panels available. To order, add suffix "-LEP" to model number. Example: DCS3-STU-LEP
 Optional stainless steel front panel in lieu of laminate front panel available. To order, add suffix "-S" to model number. Example: DCS3-STU-S
 Optional stainless steel end panels available. To order, add suffix "-SEP" to model number. Example: DCS3-STU-S-SEP

EAGLE GROUP
 100 Industrial Boulevard, Clayton, DE 19938-8903 USA
 Phone: 302-653-3000 or 800-441-8440 • Fax: 302-653-2065
 www.eaglegrp.com • www.eaglegrpnews.com • www.eaglehmc.com

Printed in U.S.A.
 ©2023 by Eagle Group
 Rev. 07/23

Spec sheets available for viewing, printing or downloading from our online literature library at our websites

Although every attempt has been made to ensure the accuracy of the information provided, we cannot be held responsible for typographical or printing errors. Information and specifications are subject to change without notice. Please confirm at time of order.