



Profit from the Eagle Advantage®

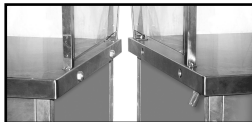
# Specification Sheet

## Short Form Specifications

Eagle Director's Choice® Cashier Units, model \_\_\_\_\_. Top to be 16/304 stainless steel turned down on all sides. 1½" square type 304 stainless steel all-welded tubular base. Fully mobile with 5" poly tread casters, two with brake. Quick release spring loaded docking device keeps adjoining units together. Integrated foot rest, locking cash drawer with handle, integrated stainless steel apron, and 2½" diameter grommeted hole. Standard laminate front panel is holly berry red (Wilsonart® #D307-60).



inline cashier unit shown with optional tray slide and optional laminate end panels



exclusive docking device joins units together without the use of tools

## Options / Accessories

- Laminated end panels
- Stainless steel end panels
- Stainless steel front panel
- Stainless steel tray slide\*
- Removable stainless undershelf
- Specify laminate \_\_\_\_\_
- Cash trays & tray covers
- Convenience outlet (120V)
- Low-voltage raceway

\* Available in solid ribbed, square tubular or round tubular. For front and ends.

Item No.: \_\_\_\_\_  
 Project No.: \_\_\_\_\_  
 S.I.S. No.: \_\_\_\_\_

## Director's Choice® Cashier Units

### MODELS:

- DCS-CUI-24
- DCS-CUI-36
- DCS-CUER-24
- DCS-CUER-36
- DCS-CUEL-24
- DCS-CUEL-36
- DC24-TS-\*
- DC2-TS-\*
- 366456
- 366457
- 366458

\* See charts on back page for complete model numbers.

## Design and Construction Features

- 30" (762mm) wide top is solid, constructed of 16 gauge type 304 stainless steel, die-formed, welded, polished, and reinforced with hat channel.
- Welded 1½" (38mm) type 304 stainless steel square tubular base construction.
- Open-base frame features type 304 stainless steel apron on operator's side.
- Standard flush-fitting drawer with keyed tumbler lock – 18" x 20¾" x 3" (457 x 519 x 76mm) inner dimensions. Drawer features double-pan front and recessed pull.
- Fully mobile - standard 5" (127mm) poly tread casters, two with brake (brake casters on server side).
- Standard front holly berry red (Wilsonart® D307-60) laminate mounted on 18 gauge galvanized subpanel.
- Foot rest welded to frame for extra strength.
- Tray slide heights available—see Catalog Sheet EG33.07A:
  - 31" (787mm) standard height for high schools.
  - 27" (686mm) standard height for middle schools.
  - 25" (635mm) height for elementary schools and nursing/healthcare facilities.
- Quick-release spring-loaded docking device keeps adjoining units together without the use of tools.
- Three configurations available: inline, right end or left end.
- All units accommodate optional accessories, including tray slides and removable undershelves.

## EAGLE GROUP

100 Industrial Boulevard  
Clayton, DE 19938-8903 USA

Phone: 302-653-3000 • 800-441-8440

Fax: 302-653-2065

www.eaglegrp.com • www.eaglemhc.com

For custom configuration or fabrication needs, contact our SpecFAB® Division.

Phone: 302-653-3000 • Fax: 302-653-2065 • e-mail: quotes@eaglegrp.com

## Certifications / Approvals



AutoQuotes



EG33.03 Rev. 08/22

Spec sheets available for viewing, printing or downloading from our online literature library at [www.eaglegrp.com](http://www.eaglegrp.com)

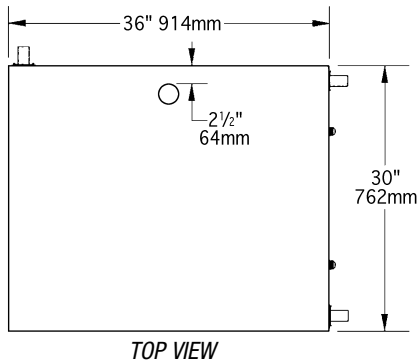
Eagle Foodservice Equipment, Eagle MHC, and SpecFAB® are divisions of Eagle Group. ©2022 by the Eagle Group



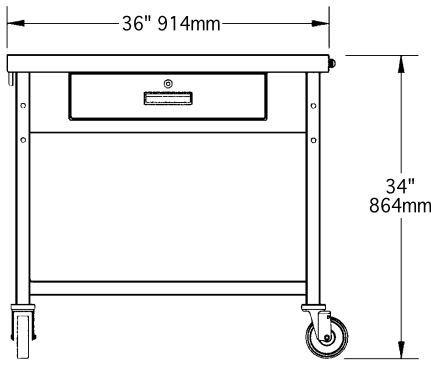
Profit from the Eagle Advantage®

Item No.: \_\_\_\_\_  
 Project No.: \_\_\_\_\_  
 S.I.S. No.: \_\_\_\_\_

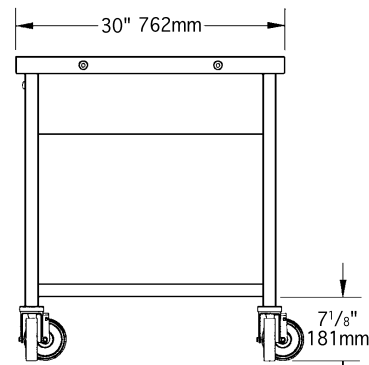
## Director's Choice® Cashier Units



TOP VIEW



FRONT VIEW (OPERATOR'S SIDE)



SIDE VIEW

length		weight		Inline	Right End*	Left End**
in.	mm	lbs.	kg	model #	model #	model #
24"	610	235	106.6	<b>DCS-CUI-24</b>	<b>DCS-CUER-24</b>	<b>DCS-CUEL-24</b>
36"	914	285	129.3	<b>DCS-CUI-36</b>	<b>DCS-CUER-36</b>	<b>DCS-CUEL-36</b>

\* Drawer is located on right end as viewed from Server Side of Director's Choice®.

\*\* Drawer is located on left end as viewed from Server Side of Director's Choice®.

Optional laminate end panels available. To order, add suffix "-LEP" to model number. Example: DCS-CUI-24-LEP

Optional stainless steel front panel in lieu of laminate front panel available. To order, add suffix "-S" to model number. Example: DCS-CUI-24-S

Optional stainless steel end panels available. To order, add suffix "-SEP" to model number. Example: DCS-CUI-24-S-SEP

### Optional Tray Slides

11½"-wide. With stainless steel drop brackets.

fits	Square Tubular model #	Round Tubular model #	Solid Ribbed model #
24" (610mm) Cashier "End" Units	<b>DC24-TS-TS</b>	<b>DC24-TS-TSR</b>	<b>DC24-TS-SRS</b>
all 36" (914mm) Cashier Units	<b>DC2-TS-TS</b>	<b>DC2-TS-TSR</b>	<b>DC2-TS-SRS</b>

### Optional Cash Trays and Covers

Fits inside drawer. Lightweight but constructed of durable ABS thermoplastic.

model #	description
<b>366458</b>	4-bill tray
<b>366456</b>	5-bill tray
<b>366457</b>	cover for 5-bill tray

### EAGLE GROUP

100 Industrial Boulevard, Clayton, DE 19938-8903 USA

Phone: 302-653-3000 or 800-441-8440 • Fax: 302-653-2065

www.eaglegrp.com • www.eaglehmc.com

Printed in U.S.A.  
 ©2022 by Eagle Group

Rev. 08/22

Spec sheets available for viewing, printing or downloading from our online literature library at [www.eaglegrp.com](http://www.eaglegrp.com)

Although every attempt has been made to ensure the accuracy of the information provided, we cannot be held responsible for typographical or printing errors. Information and specifications are subject to change without notice. Please confirm at time of order.