



Profit from the Eagle Advantage®

Specification Sheet

Short Form Specifications

Eagle Hot Food Tables, Spec-Master® Series, model _____ enclosed base design. Top and body are heavy gauge type 430 stainless steel (Open Front or Sliding Doors). Beaded top openings are 12½" x 20½". Heating compartments are 8" deep, galvanized, and insulated on all four sides and bottom with 1" fiberglass or equal. Each compartment has individual burner rated at 3,500 BTU. Each burner controlled by a high/medium/low adjustable gas valve with adjustable pilot light. Removable galvanized steel radiation plate in each compartment, and gas pressure regulator provided. 8"-wide polyethylene cutting board provided. 7½"-high legs to be 1½" O.D. stainless steel tubing, with adjustable stainless steel bullet feet.



#HT3OB-NG unit with open front

These hot food tables are designed to be operated dry. If wet operation is required, spillage pan (#302027) must be used.

Options / Accessories

- Spillage pans (for wet operation)
- Rolltop cover
- Overshelves*
- Food pans/insets
- Tray slides/shelves
- Dish shelves
- Serving shelves
- Propane hose kit
- Spec-Master® marine edge
- Decorative laminates

* See Catalog Sheet #EG30.18 for more information on Flex-Master® overshelves

EAGLE GROUP

100 Industrial Boulevard, Clayton, DE 19938-8903 USA
Phone: 302-653-3000 • 800-441-8440 • Fax: 302-653-2065
www.eaglegrp.com
www.eaglegrpnews.com
www.eaglehmc.com

For custom configuration or fabrication needs, contact our SpecFAB® Division.
Phone: 302-653-3000 • Fax: 302-653-2065 • e-mail: quotes@eaglegrp.com

Item No.: _____
 Project No.: _____
 S.I.S. No.: _____

Spec-Master® Gas Hot Food Tables—Enclosed Base

MODELS:

- HT2CB-NG
- HT2CB-LP
- HT2OB-NG
- HT2OB-LP
- HT3CB-NG
- HT3CB-LP
- HT4OB-NG
- HT4OB-LP
- HT5CB-NG
- HT5CB-LP
- HT5OB-NG
- HT5OB-LP
- HT6CB-NG
- HT6CB-LP
- HT6OB-NG
- HT6OB-LP

Construction

- 20 gauge cabinet body and 22 gauge top are polished type 430 series stainless steel.
- Top shall have die-stamped beaded openings measuring 12½" x 20½" (307 x 510mm).
- A poly cutting board 8" wide x ½" thick (203 x 13mm) are mounted on stainless steel brackets located on control side of unit.
- Legs are 1½" (41mm) O.D. stainless steel tubing fitted with adjustable stainless steel feet.

Heat Compartments

- Under each top opening is a heat compartment with a die-formed 8" (203mm)-deep heavy-gauge galvanized liner.
- Each compartment is insulated on all four sides and bottom with 1" (25mm)-thick fiberglass or equal, having a thermal conductivity of 0.27 or less.

Gas Heat Units

- Each compartment has an individual burner rated at 3,500 BTU designed for use with natural or propane gas as specified.
- Each burner is controlled by High/Medium/Low adjustable gas valve with adjustable pilot light.
- A removable galvanized steel radiation plate shall also be provided in each compartment and a gas pressure regulator furnished with all units.

Sliding Doors (when indicated)

- 22 gauge stainless steel construction complete with recessed stainless steel handle.
- Doors shall sit within an exclusive rollerless track assembly providing easier cleaning and lower maintenance.

Certifications / Approvals

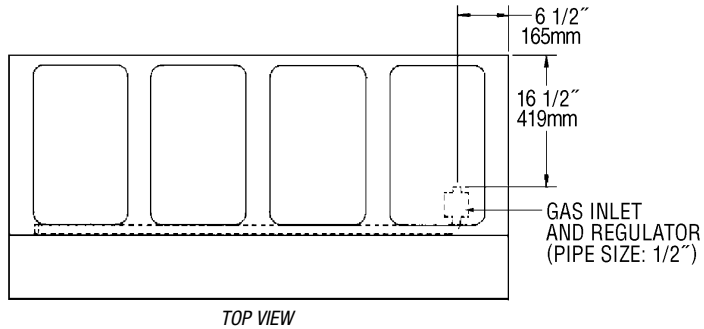


Spec sheets available for viewing, printing or downloading from our online literature library at our websites

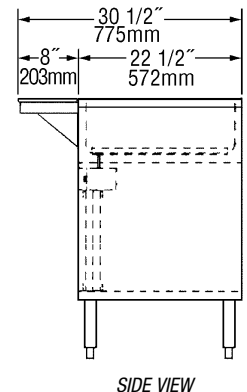
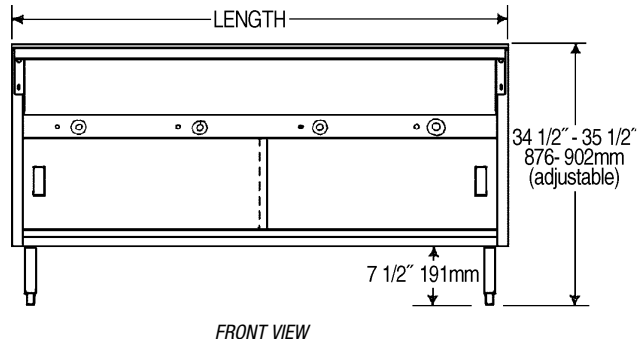


Item No.: _____
 Project No.: _____
 S.I.S. No.: _____

Spec-Master® Gas Hot Food Tables—Enclosed Base



Must be used with Eagle Group spillage pans #302027 or 304141.



WITH OPEN FRONT model #	WITH SLIDING DOORS model #	type of gas	# of openings	total BTU rating	length in. mm	weight lbs. kg
HT2OB-NG	HT2CB-NG	natural gas	2	7,000	33" 838	207 93.9
HT2OB-LP	HT2CB-LP	liquid propane	2	7,000	33" 838	207 93.9
HT3OB-NG	HT3CB-NG	natural gas	3	10,500	48" 1219	248 112.5
HT3OB-LP	HT3CB-LP	liquid propane	3	10,500	48" 1219	248 112.5
HT4OB-NG	HT4CB-NG	natural gas	4	14,000	63 1/2" 1613	289 131.1
HT4OB-LP	HT4CB-LP	liquid propane	4	14,000	63 1/2" 1613	289 131.1
HT5OB-NG	HT5CB-NG	natural gas	5	17,500	79" 2007	359 162.8
HT5OB-LP	HT5CB-LP	liquid propane	5	17,500	79" 2007	359 162.8
HT6OB-NG	HT6CB-NG	natural gas	6	21,000	94 1/2" 2400	406 184.2
HT6OB-LP	HT6CB-LP	liquid propane	6	21,000	94 1/2" 2400	406 184.2

FLEX-MASTER® Overshelf Kits

Both kits include two 16/304 overshelves and four 30" (762mm) posts. Add suffix specified to order kit (example: HT3OB-NG-FMU), or design your own using standard components from EG30.18.

description	add suffix
10" (254mm) overshelves	-FM
15" (381mm) overshelves, plus one ladle rack	-FMU

EAGLE GROUP
 100 Industrial Boulevard, Clayton, DE 19938-8903 USA
 Phone: 302-653-3000 or 800-441-8440 • Fax: 302-653-2065
 www.eaglegrp.com • www.eaglegrpnews.com • www.eaglehmc.com

Printed in U.S.A.
 ©2023 by Eagle Group
 Rev. 02/23

Spec sheets available for viewing, printing or downloading from our online literature library at our websites

Although every attempt has been made to ensure the accuracy of the information provided, we cannot be held responsible for typographical or printing errors. Information and specifications are subject to change without notice. Please confirm at time of order.