



Profit from the Eagle Advantage®

Specification Sheet

Short Form Specifications

Eagle Hand Sink with 8" Centerline Faucet Holes, model #HSA-10-8. Constructed of type 304 stainless steel, all-welded with deep-drawn positive drain sink bowl, inverted "V" edge to prevent spillage and basket drain. Unit less faucet.

Eagle Hand Sink with 8" Centerline Faucet, model #HSA-10-8F. Features the same as hand sink #HSA-10-8, plus splash mounted gooseneck faucet.



#HSA-10-8



#HSA-10-8F

Item No.:	_____
Project No.:	_____
S.I.S. No.:	_____

Hand Sinks with 8" Centerline Faucet Holes

MODELS:

- HSA-10-8
- HSA-10-8F

Design & Construction Features

- Heavy gauge type 304 stainless steel all-welded construction.
- Inverted "V" edge rim retards spillage.
- Unique deep-drawn positive-drain bowl assures complete drainage to meet the most stringent health code requirements.
- Both sinks feature faucet holes centered at 8" (203mm) in place of traditional 4" (102mm) centerline.
- Model #HSA-10-8F includes #313075 splash-mount faucet with gooseneck spout.
- Water inlet: 1/2" (13mm) NPS.
- Drain outlet: 1 1/2" (38mm) NPS.

Options / Accessories

- P-trap
- Tail piece
- End splashes
- Front skirt
- Side mount wall bracket
- MICROGARD® antimicrobial protection

EAGLE GROUP

100 Industrial Boulevard, Clayton, DE 19938-8903 USA
 Phone: 302-653-3000 • 800-441-8440 • Fax: 302-653-2065
www.eaglegrp.com
www.eaglegrpnews.com
www.eaglemhc.com

For custom configuration or fabrication needs, contact our SpecFAB® Division.
 Phone: 302-653-3000 • Fax: 302-653-2065 • e-mail: quotes@eaglegrp.com



EG20.48 Rev. 01/23

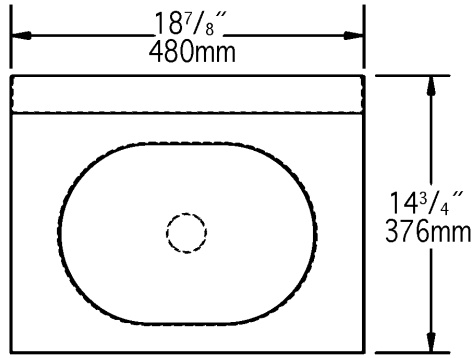
Spec sheets available for viewing, printing or downloading from our online literature library at our websites

Eagle Foodservice Equipment, Eagle MHC, and SpecFAB® are divisions of Eagle Group. ©2023 by the Eagle Group

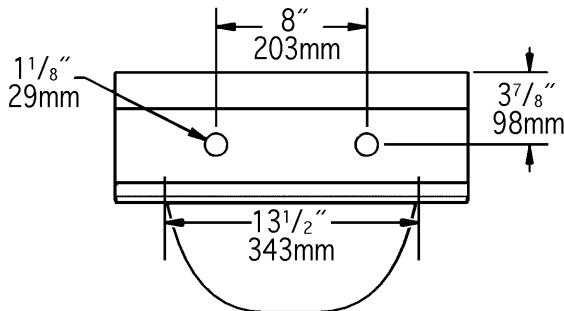


Item No.: _____
 Project No.: _____
 S.I.S. No.: _____

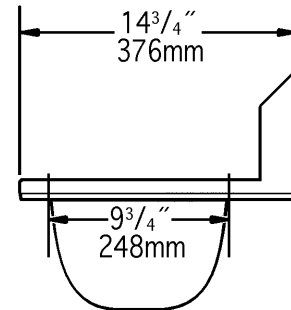
Hand Sinks with 8" Centerline Faucet Holes



TOP VIEW



FRONT VIEW



SIDE VIEW

(Please note: model #HSA-10-8 shown)

model #	includes	bowl size		overall size		weight		
		width in.	length x depth mm	width in.	length x height mm	lbs.	kg	
HSA-10-8	8" (203mm) centerline faucet holes, basket drain	9 3/4"	13 1/2" x 6 3/4"	248 x 343 x 173	14 3/4" x 18 7/8" x 12 3/4"	376 x 480 x 324	9	4.1
HSA-10-8F	splash-mount faucet on 8" (203mm) center, basket drain	9 3/4"	13 1/2" x 6 3/4"	248 x 343 x 173	14 3/4" x 18 7/8" x 12 3/4"	376 x 480 x 324	13	5.9

EAGLE GROUP
 100 Industrial Boulevard, Clayton, DE 19938-8903 USA
 Phone: 302-653-3000 or 800-441-8440 • Fax: 302-653-2065
 www.eaglegrp.com • www.eaglegrpnews.com • www.eaglehmc.com

Printed in U.S.A.
 ©2023 by Eagle Group
 Rev. 01/23

Spec sheets available for viewing, printing or downloading from our online literature library at our websites

Although every attempt has been made to ensure the accuracy of the information provided, we cannot be held responsible for typographical or printing errors. Information and specifications are subject to change without notice. Please confirm at time of order.