



Profit from the Eagle Advantage®

Specification Sheet

Short Form Specifications

Eagle Hand Sink with Built-In Waste Receptacle, model #HSA-10-FDPEE-B-T. 9 3/4" x 13 1/2" x 6 3/4"-deep type 304 stainless steel sink bowl to be deep-drawn for positive drainage. Battery-powered electronic-eye splash mounted gooseneck faucet comes with 6-volt battery and built-in low-battery indicator. Basket drain, stainless steel sink skirt, stainless steel and waste receptacle with handle. Towel dispenser to have hinged top assembly with cam-style lock and key, sight window, battery-powered electronic soap dispenser, and is designed to accommodate 4" x 10" C-fold paper towels.



Options / Accessories

MICROGARD® antimicrobial protection

EAGLE GROUP
100 Industrial Boulevard, Clayton, DE 19938-8903 USA
Phone: 302-653-3000 • Fax: 302-653-2065
www.eaglegrp.com

Foodservice Division: Phone 800-441-8440
MHC/Retail Display Divisions: Phone 800-637-5100

For custom configuration or fabrication needs, contact our **SpecFAB® Division**.
Phone: 302-653-3000 • Fax: 302-653-3091 • e-mail: specfab@eaglegrp.com

Item No.: _____
Project No.: _____
S.I.S. No.: _____

Electronic Hand Sink with Waste Receptacle—featuring Battery-Powered Soap Dispenser and Battery-Powered Faucet

MODEL:

HSA-10-FDPEE-B-T

Design and construction features

- 20 gauge type 304 all stainless steel construction.
- Electronic-eye faucet with water flow controlled by low-voltage solenoid valve that activates when electronic eyes' sensor beam is broken. Sensor beam adjusts 3" to 12" (76 to 305mm).
- All-welded towel dispenser features a hinged top assembly, sight window (to inspect towel level), electronic-eye soap dispenser, and is designed to accommodate 4" x 10" (102 x 254mm) C-fold disposable paper towels.
- Enclosed stainless steel skirting with refuse opening.
- Exclusive patented waste receptacle (patent #5,732,422) slides onto the bottom of skirt, allowing for convenient disposal of paper towels.
- Unique deep-drawn positive-drain bowl.
- Inverted "V" edge rim retards spillage.
- Complete with basket drain and wall mounting brackets.

Electronic soap dispenser:

- Requires four size "D" batteries.
- Premium antiseptic lotion soap comes in prepackaged carton.
- Output: up to 700 portions per carton.
- Capacity: 18.5 fl. oz. per carton.
- Battery life: up to 50,000 cycles.

Electronic faucet:

- Comes with 6-volt battery and built-in low-battery indicator.
- Splash mount.



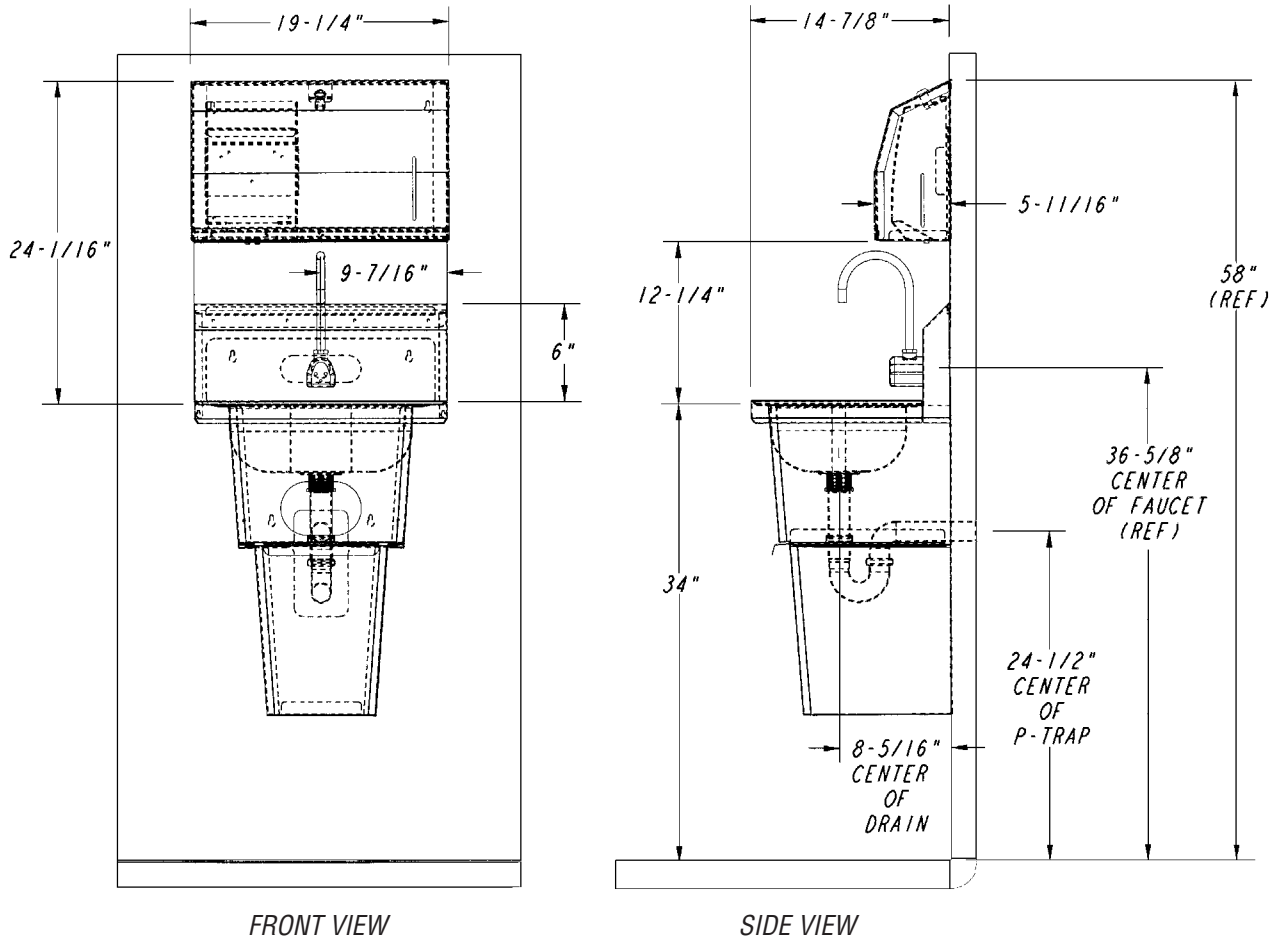
Spec sheets available for viewing, printing or downloading from our online literature library at www.eaglegrp.com

Eagle Foodservice Equipment, Eagle MHC, SpecFAB®, and Retail Display are divisions of Eagle Group. ©2009 by the Eagle Group



Item No.: _____
 Project No.: _____
 S.I.S. No.: _____

Electronic Hand Sink with Waste Receptacle— featuring Battery-Powered Soap Dispenser and Battery-Powered Faucet



model #	bowl size		overall size		weight	
	width	length x depth	width x length	x height	lbs.	kg
	in.	mm	in.	mm		
HSA-10-FDPEE-B-T	9 3/4"	13 1/2" x 6 3/4"	14 3/4"	19 1/4" x 47 1/2"	46	20.9
		248 x 343 x 173		376 x 489 x 1207		

EAGLE GROUP
 100 Industrial Boulevard, Clayton, DE 19938-8903 USA
 Phone: 302-653-3000 • Fax: 302-653-2065
 www.eaglegrp.com

Foodservice Division: Phone 800-441-8440
 MHC/Retail Display Divisions: Phone 800-637-5100

Printed in U.S.A.
 ©2009 by Eagle Group
 Rev. 06/09

Spec sheets available for viewing, printing or downloading from our online literature library at www.eaglegrp.com

Although every attempt has been made to ensure the accuracy of the information provided, we cannot be held responsible for typographical or printing errors. Information and specifications are subject to change without notice. Please confirm at time of order.