



Profit from the Eagle Advantage®

Specification Sheet

Short Form Specifications

Eagle Portable Hand Sink with Open Base, model _____ . Heavy gauge stainless steel tabletop with 10 1/2" x 12 3/4" x 6" removable pan, deck mount faucet, and trash chute. Furnished with soap dispenser, paper towel dispenser, 115-volt pump, 5-gallon fresh water tank(s), 7-gallon waste water tank(s), and GFCI electrical outlet. Choice of 30" x 30" unit with stainless steel solid undershelf and 1 1/2"-diameter legs, or 30" x 42" unit with black epoxy coated wire undershelf and 1"-diameter legs.



unit with solid undershelf
(shown with optional wrist handle faucet)



...with wire undershelf

EAGLE GROUP

100 Industrial Boulevard
Clayton, DE 19938-8903 USA

Phone: 302-653-3000 • 800-441-8440

Fax: 302-653-2065

www.eaglegrp.com • www.eaglemhc.com

For custom configuration or fabrication needs, contact our SpecFAB® Division.

Phone: 302-653-3000 • Fax: 302-653-2065 • e-mail: quotes@eaglegrp.com

Item No.: _____
Project No.: _____
S.I.S. No.: _____

Portable Hand Sinks with Open Base

MODELS:

- PHSE-S-C PHSEWB-S-C
- PHSE-S-H PHSEWB-S-H

Features of both models

- "-H" models provided with 2.5-gallon water heater and accumulator tank.
- Platform for hot water heater features NEMA 5-15R GFCI electrical outlet.
- Patented uni-lok® gusset system (patent #5,165,349): gussets are recessed into hat channel, reducing lateral movement.
- 16 gauge 300 series polished stainless steel tabletop.
- 10 1/2" x 12 3/4" x 6" (264 x 324 x 152mm) removable pan.
- Towel rack, mounted to underside of tabletop, accommodates standard household paper towels.
- Deck mount soap dispenser with 16-oz. container and 4" (102mm) chrome spout.
- Built-in trash chute and trash can.
- Square edge top with ends turned down 90°, providing for flush installations when required.
- 4" (102mm) casters—two with brake.

Features of Portable Hand Sink with Solid Undershelf

- 30" x 30" (762 x 762mm) tabletop.
- Deck mount faucet with gooseneck spout.
- One 5-gallon fresh water tank.
- One 7-gallon soiled water tank.
- Heavy gauge stainless steel undershelf, with marine edge design, features cord wrap.
- 1 1/2" (41mm)-diameter heavy duty stainless steel legs.

Features of Portable Hand Sink with Wire Undershelf

- 30" x 42" (762 x 1067mm) tabletop.
- Deck mount faucet with 8" (203mm) spout.
- Two 5-gallon fresh water tanks.
- Two 7-gallon soiled water tanks.
- 24" x 42" (610 x 1067mm) wire undershelf, featuring patented Quad-Truss® design (patent #5,390,803), with black epoxy finish.
- Three-sided wire truss frame with black epoxy finish.
- 1" (25mm)-diameter legs with black epoxy finish.



EG20.06B Rev. 03/22

Spec sheets available for viewing, printing or downloading from our online literature library at www.eaglegrp.com

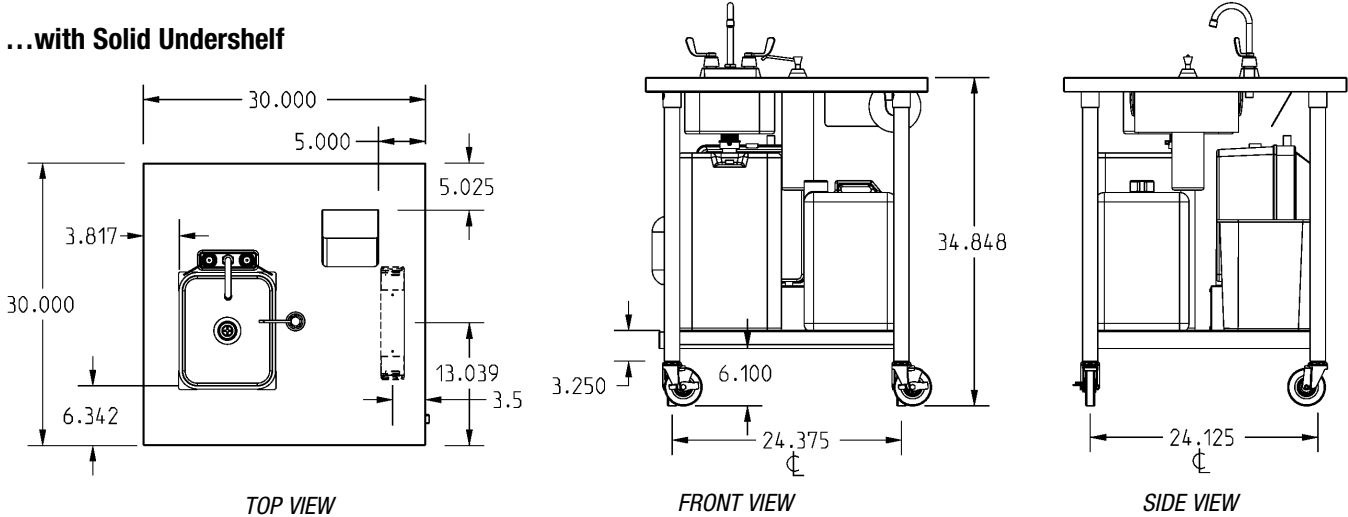
Eagle Foodservice Equipment, Eagle MHC, SpecFAB®, and Retail Display are divisions of Eagle Group. ©2022 by the Eagle Group



Item No.: _____
 Project No.: _____
 S.I.S. No.: _____

Eagle Portable Hand Sinks with Open Base

...with Solid Undershelf

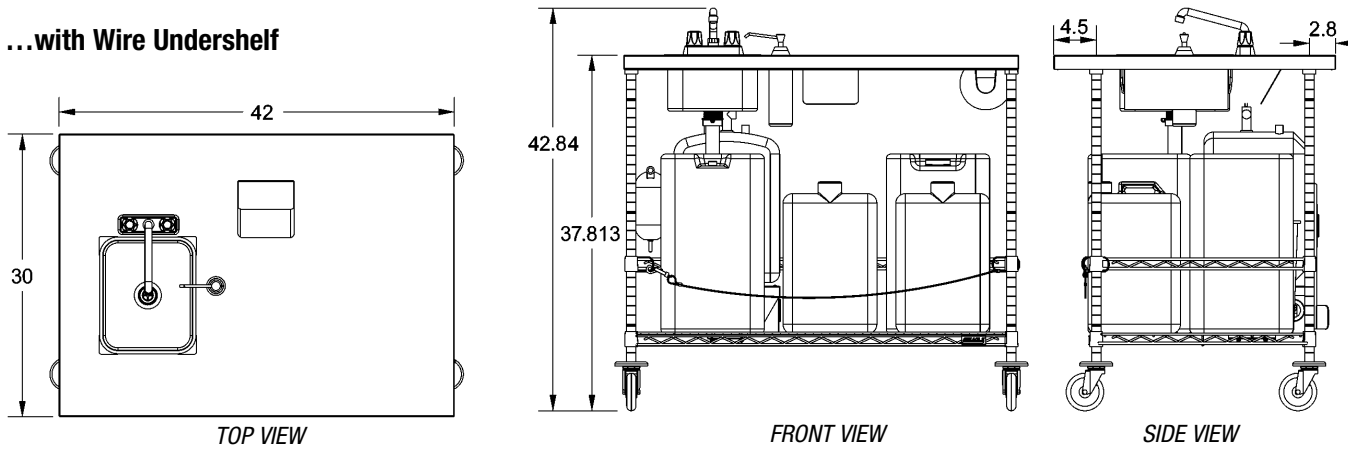


(Note: shown with optional wrist handle faucet)

O.A. length		O.A. width		height *		pan length		pan width		pan depth		model #
in.	mm	in.	mm	in.	mm	in.	mm	in.	mm	in.	mm	
30"	762	30"	762	34 ¹ / ₈ "	886	10 ³ / ₈ "	264	12 ³ / ₈ "	324	6"	152	PHSE-S-C
30"	762	30"	762	34 ¹ / ₈ "	886	10 ³ / ₈ "	264	12 ³ / ₈ "	324	6"	152	PHSE-S-H**

* Working height, excludes height of faucet; ** Includes 2.5-gallon water heater and accumulator tank.

...with Wire Undershelf



O.A. length		O.A. width		height *		pan length		pan width		pan depth		model #
in.	mm	in.	mm	in.	mm	in.	mm	in.	mm	in.	mm	
42"	1067	30"	762	37 ¹ / ₈ "	961	10 ³ / ₈ "	264	12 ³ / ₈ "	324	6"	152	PHSEWB-S-C
42"	1067	30"	762	37 ¹ / ₈ "	961	10 ³ / ₈ "	264	12 ³ / ₈ "	324	6"	152	PHSEWB-S-H**

* Working height, excludes height of faucet; ** Includes 2.5-gallon water heater and accumulator tank.

EAGLE GROUP
 100 Industrial Boulevard, Clayton, DE 19938-8903 USA
 Phone: 302-653-3000 or 800-441-8440 • Fax: 302-653-2065
 www.eaglegrp.com • www.eaglemhc.com

Printed in U.S.A.
 ©2022 by Eagle Group

Rev. 03/22

Spec sheets available for viewing, printing or downloading from our online literature library at www.eaglegrp.com

Although every attempt has been made to ensure the accuracy of the information provided, we cannot be held responsible for typographical or printing errors. Information and specifications are subject to change without notice. Please confirm at time of order.