

# Black Polymer Utility Carts

## ASSEMBLY INSTRUCTIONS

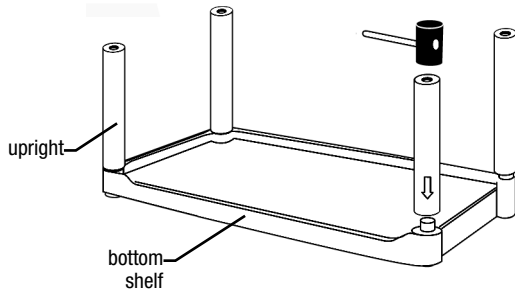
### CAUTION

INSPECT CONTENTS IMMEDIATELY AND FILE CLAIM WITH DELIVERING CARRIER FOR ANY DAMAGE.  
**SAVE YOUR BOX AND ALL PACKING MATERIALS.**  
YOU ARE RESPONSIBLE FOR DAMAGE TO YOUR UNIT IF RETURNED IMPROPERLY PACKED.

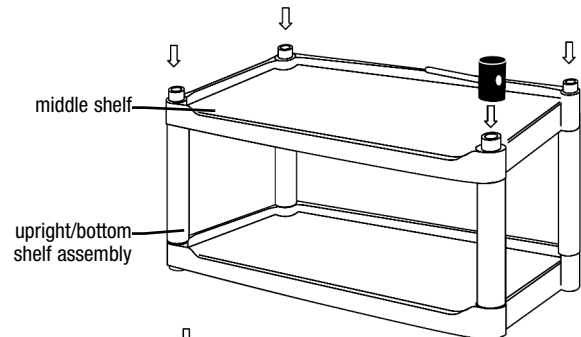
### Parts List

Item #	qty	description
1	1	top shelf
2	1	middle shelf
3	1	bottom shelf
4	2	handles
5	8	aluminum uprights
6	4	4"-dia. swivel casters
7	4	bushings
8	4	screws

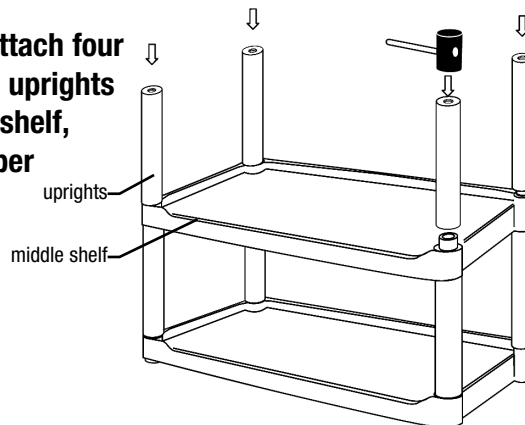
**Step 1 - Attach four uprights to topside of bottom shelf, using a rubber mallet.**



**Step 2 - Attach middle shelf to upright/bottom shelf assembly, using a rubber mallet.**



**Step 3 - Attach four remaining uprights to middle shelf, using rubber mallet.**



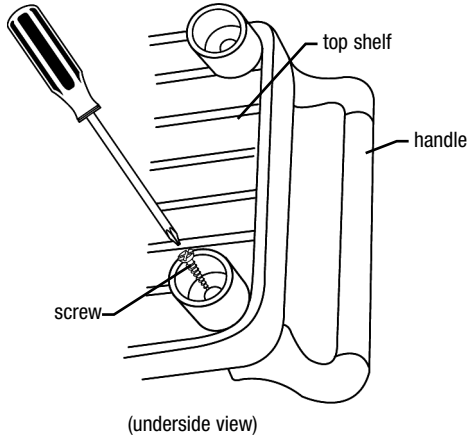
**(continued on back page)** →

EG10090 Revised 10/23

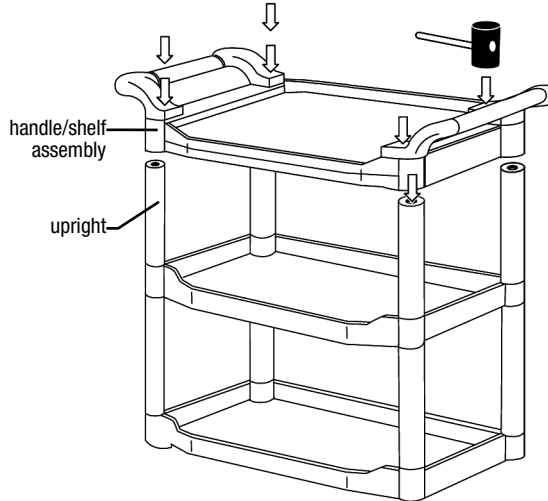
# Black Polymer Utility Carts

## ASSEMBLY INSTRUCTIONS

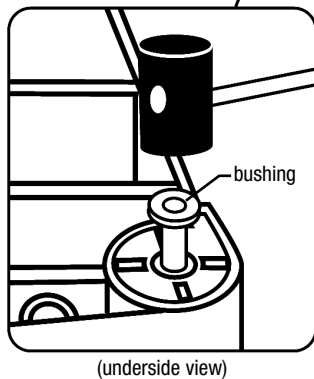
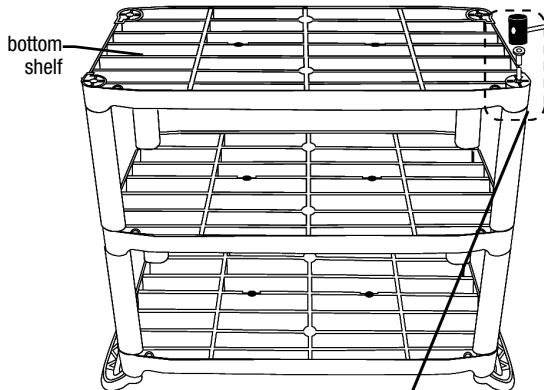
**Step 4 - Attach handles to top shelf, using four screws provided and screwdriver.**



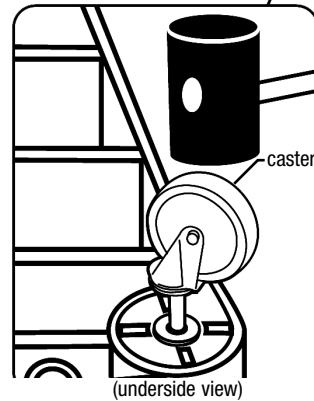
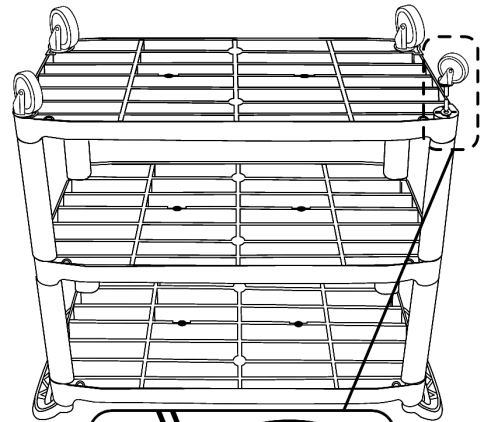
**Step 5 - Attach handle/shelf assembly to uprights, using rubber mallet.**



**Step 6 - Attach bushings to underside of bottom shelf, using rubber mallet.**



**Step 7 - Attach casters, using rubber mallet.**



Assembly is complete.

**(End)**