

Director's Choice® Carving Station Unit

Retain this manual
for future reference.

OPERATIONS MANUAL & INSTRUCTIONS

CAUTION

INSPECT CONTENTS IMMEDIATELY AND FILE CLAIM WITH DELIVERING CARRIER FOR ANY DAMAGE. **SAVE YOUR BOX AND ALL PACKING MATERIALS.** YOU ARE RESPONSIBLE FOR DAMAGE TO YOUR UNIT IF RETURNED IMPROPERLY PACKED.

OPERATION

This unit is supplied with a 6' long, 3-wire cord and plug. Unit is ready to operate as soon as it is plugged in and turned on. Adjust the thermostat to the desired temperature. Turn unit off after use and unplug from electric supply.

CLEANING INSTRUCTIONS

Note: Turn power off and unplug unit before cleaning.

- Perforated adapter plate and gravy pan should be removed, washed, sanitized and rinsed at the end of each day.
- Top surface of unit is to be washed and sanitized.
- If equipped with tray slide and/or work shelf, they need to be washed and sanitized.

MAINTENANCE FOR LAMINATES

Laminate surfaces should be cleaned with warm water and mild soaps. Non-abrasive cleaners may also be used. Cleaning products containing bleaching agents should not be used, large quantities of these agents or extended periods of time of exposure to them can cause discoloration.

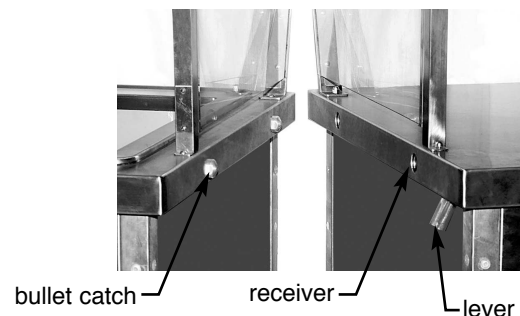
CAUTION:

1. This equipment is designed and sold for commercial use only by personnel trained and experienced in its operation and is not sold for consumer use in and around the home nor for use directly by the general public in food service locations.
2. Do not immerse unit in water.
3. All repairs should be done by an authorized service center.
4. Unit should be turned off when not in use. It is recommended that unit be disconnected from power supply by removing plug from receptacle or shutting off power disconnect supply to the unit.

DOCKING DEVICE

The device comprises of two sub-assemblies: a male bullet catch and a female receiver with a locking plate.

1. Align the units so that the bullet catch and receivers line up.
2. Pull the lever and push the two units together so that the bullet catch is pushed all the way into the receiver.
3. Release the lever and the two units are now securely docked together.
4. To release the two units, pull the lever and slowly push the two units apart. Release the lever and now your units are separate.

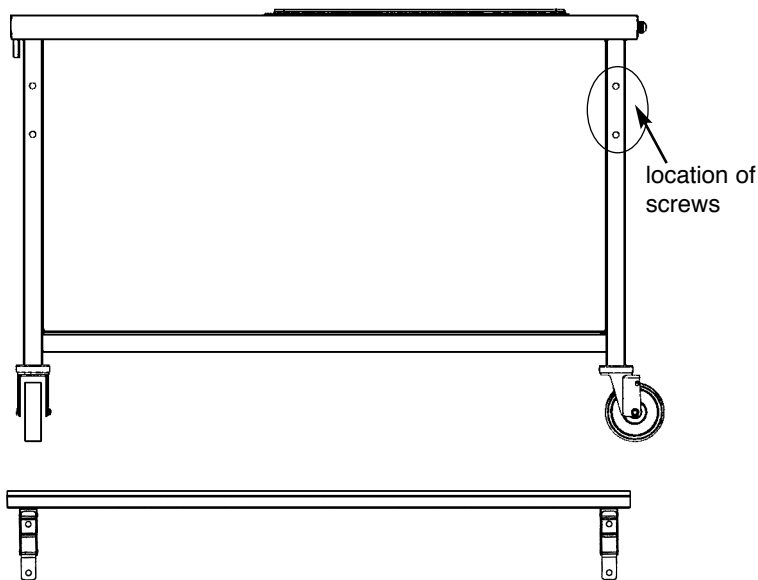


EG10078 Revised 10/23

Director's Choice® Carving Station Unit

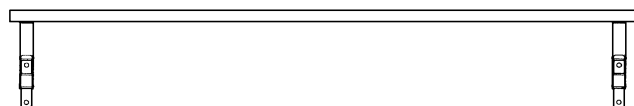
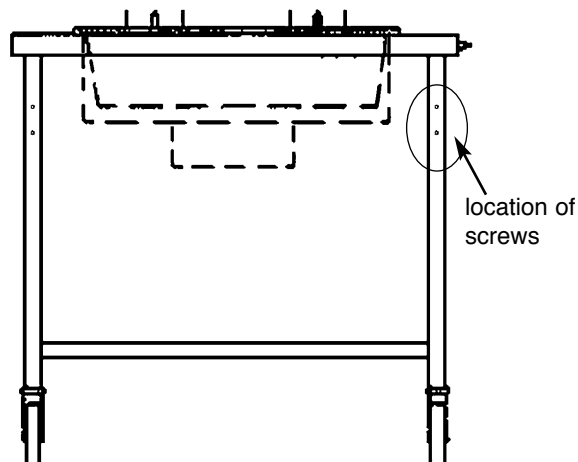
ASSEMBLY INSTRUCTIONS

Tray Slides



1. Remove screws from the front of the unit.
2. Hold tray slide up to unit and align the holes with the predrilled screw holes in the unit.
3. Tighten screws and make sure tray slide is securely mounted on unit.

Work Shelves



1. Remove screws from the front of the unit.
2. Hold work shelf up to unit and align the holes with the predrilled screw holes in the unit.
3. Tighten screws and make sure work shelf is securely mounted on unit.