

# Table Mounted Boat Racks

## ASSEMBLY INSTRUCTIONS

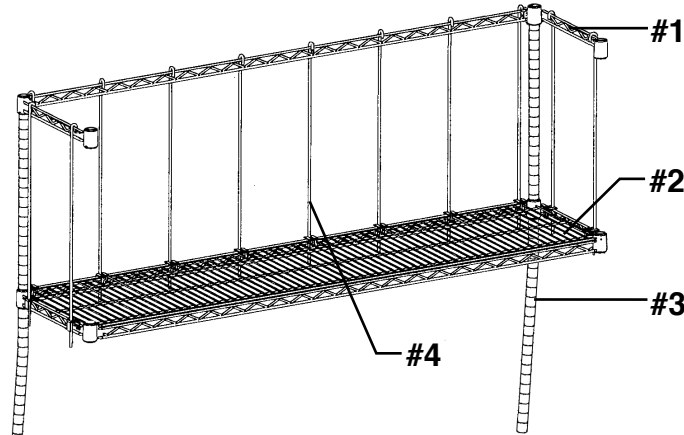
### CAUTION

INSPECT CONTENTS IMMEDIATELY AND FILE CLAIM WITH DELIVERING CARRIER FOR ANY DAMAGE.

**SAVE YOUR BOX AND ALL PACKING MATERIALS.**

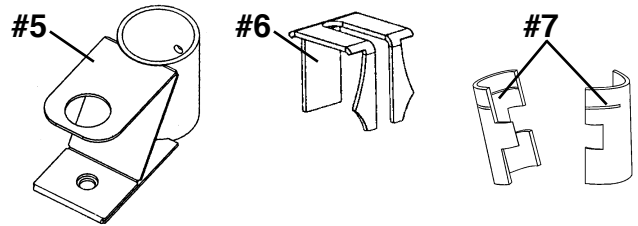
YOU ARE RESPONSIBLE FOR DAMAGE TO YOUR UNIT IF RETURNED IMPROPERLY PACKED.

### Parts List



#	qty	part #	description
#1	1	*	3-sided truss frame
#2	1	*	shelf
#3	*	*	post
#4	*	A213304	rod
#5	*	BRTG	boat rack table gusset
#6	*	A204297	clip
#7	2	A200816	bag of four split sleeves

\* Quantities and/or part numbers vary, depending on order.



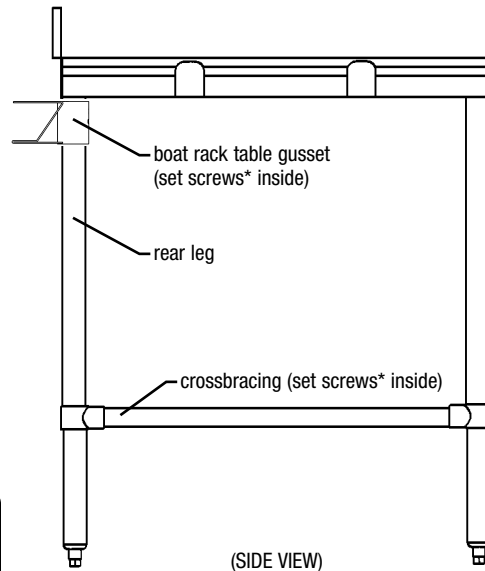
### Before assembly:

Unscrew bolt from bottom of each post and set aside.

### Step 1 - Attach boat rack table gussets to table.

(Note: Will not fit onto tables with welded crossbracing.)

- On table, loosen crossbracing set screws\*.
- Slide crossbracing off legs and set aside.
- On rear legs, slide boat rack table gussets to top. Tighten gusset set screws\*.
- Replace crossbracing. Tighten crossbracing set screws\*.



#### \* To meet NSF standards:

Set screws must be filled with NSF-approved sealant.



set screw

NSF-approved sealant.

(continued on Page 2)

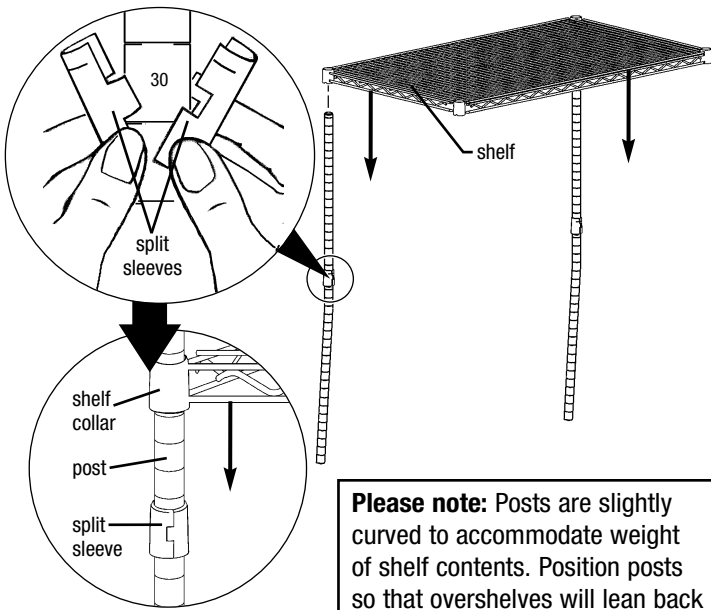
EG10049 Revised 02/23

# Table Mounted Boat Racks

## ASSEMBLY INSTRUCTIONS

### Step 2 - Attach shelf to posts.

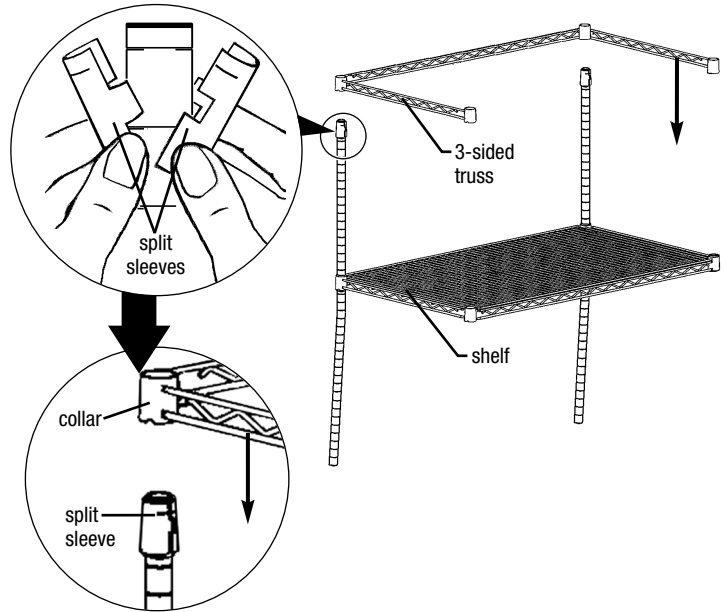
Snap split sleeve onto each post at the 23rd groove from top (the wider part of the taper goes toward the bottom).



**Please note:** Posts are slightly curved to accommodate weight of shelf contents. Position posts so that overshelves will lean back slightly – as seen in Step 5.

### Step 3 - Attach 3-sided truss to posts.

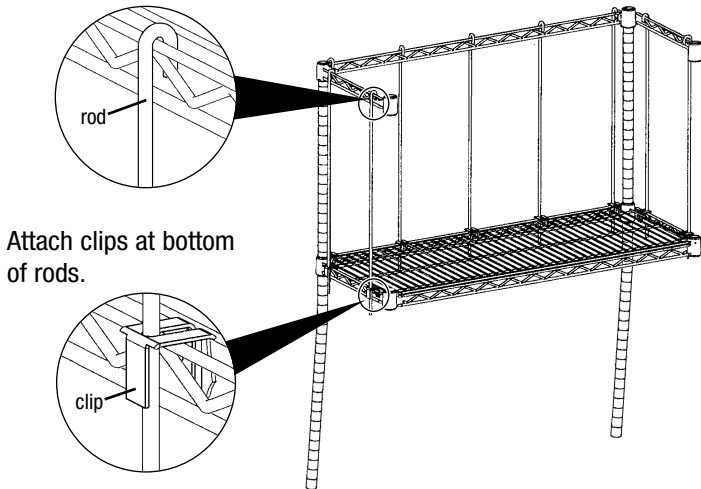
Snap split sleeves onto top groove on posts.



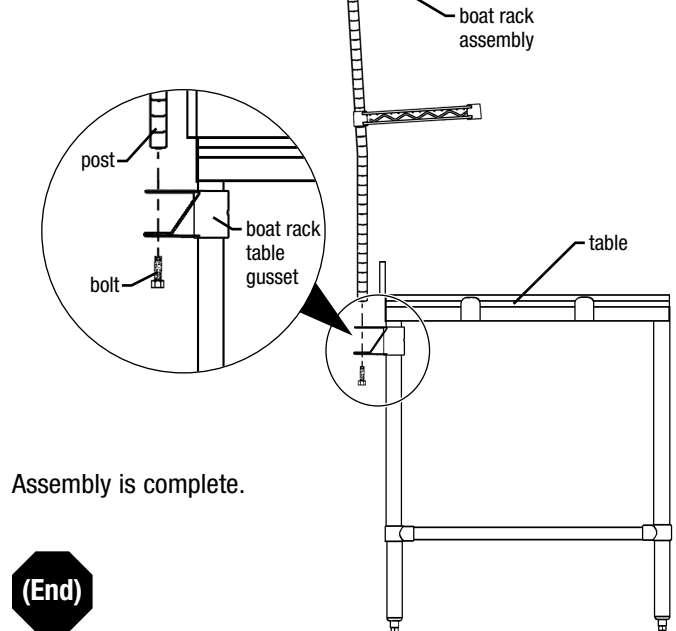
### Step 4 - Attach rods.

Hook rods where desired onto outside of 3-sided truss.

NOTE: At least one rod required on each end.



### Step 5 - Attach boat rack assembly to table.



Assembly is complete.

(End)