

ASSEMBLY INSTRUCTIONS**CAUTION**

INSPECT CONTENTS IMMEDIATELY AND FILE CLAIM WITH DELIVERING CARRIER FOR ANY DAMAGE.

SAVE YOUR BOX AND ALL PACKING MATERIALS.

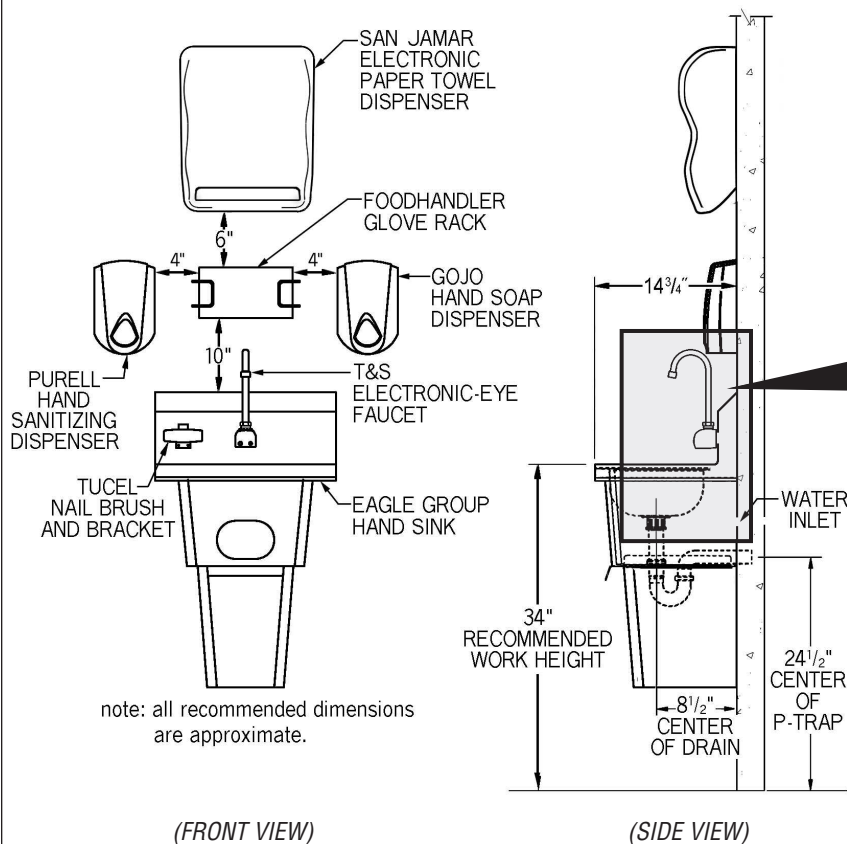
YOU ARE RESPONSIBLE FOR DAMAGE TO YOUR UNIT IF RETURNED IMPROPERLY PACKED.

Please note before assembly:

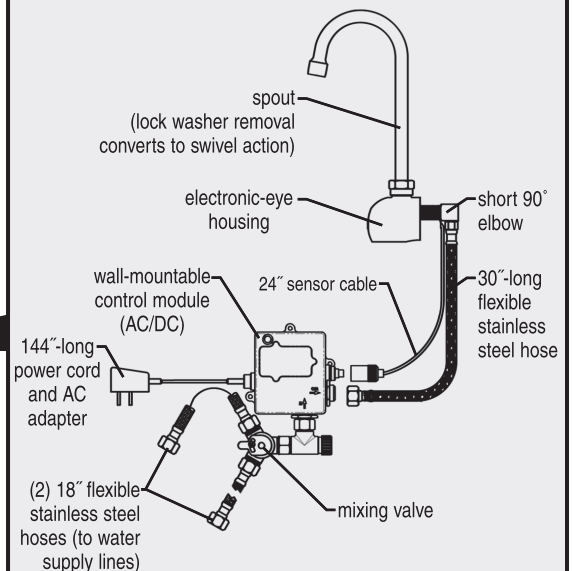
- Determine where you want to install the system. Make sure to leave enough wall space to accommodate all components.
- For plumbing rough-ins, refer to instructions packed with hand sink.

Parts List

- Eagle Group hand sink
- T&S® electronic-eye faucet
- PURELL® hand sanitizing dispenser
- GOJO® hand soap dispenser
- San Jamar electronic paper towel dispenser
- FoodHandler® glove rack
- Tucel nail brush



* LOCATION OF WATER INLET ROUGH-IN RECOMMENDED TO BE WITHIN AREA OF SINK BODY, ABOVE P-TRAP.

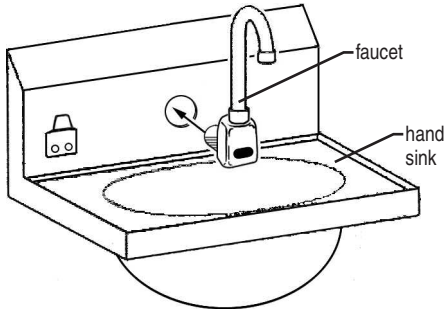
Details of Electronic-Eye Faucet

(continued on Page 2)

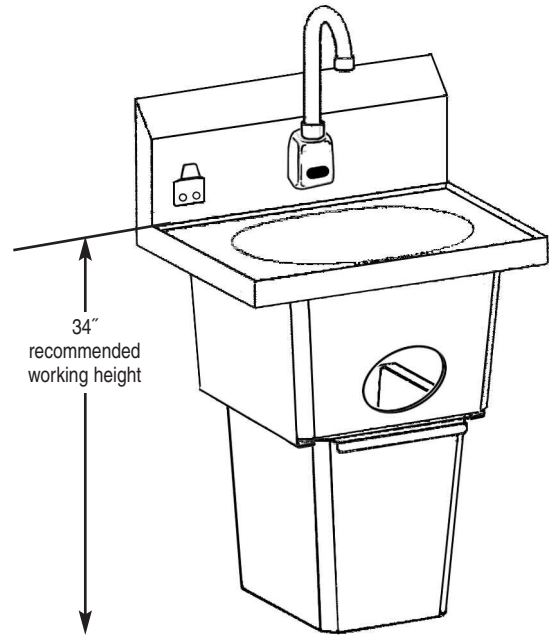
#HFL-5000 Handwashing System

ASSEMBLY INSTRUCTIONS

Step 1: Attach faucet to hand sink, per faucet instructions.

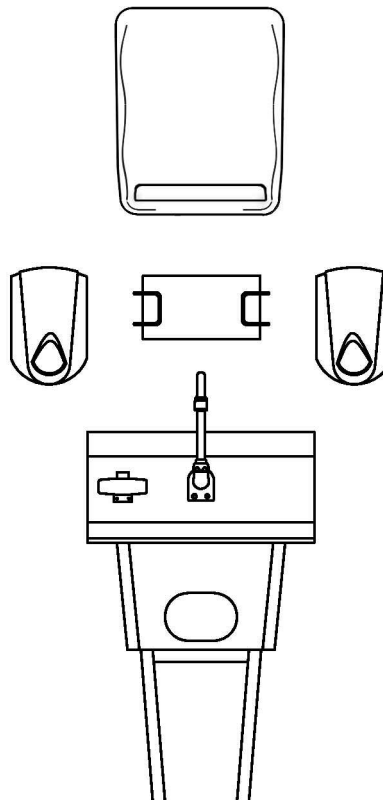


Step 2: Assemble hand sink to wall, per instructions packed with hand sink.



Step 3: Attach remaining components to wall, arranging in desired configuration.

(Note: Each component has its own instructions. Follow carefully for mounting to wall.)



(End)