

Bulb Warmers

OPERATING INSTRUCTIONS

CAUTION

INSPECT CONTENTS IMMEDIATELY AND FILE CLAIM WITH DELIVERING CARRIER FOR ANY DAMAGE.

SAVE YOUR BOX AND ALL PACKING MATERIALS.

YOU ARE RESPONSIBLE FOR DAMAGE TO YOUR UNIT IF RETURNED IMPROPERLY PACKED.

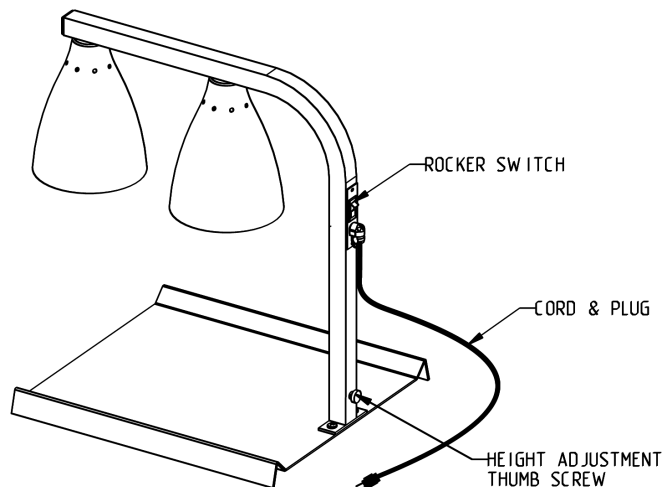
To operate:

- 1) Set height (see "How to adjust the height" below).
- 2) Plug in to 120-volt wall outlet.
- 3) Turn switch to ON position.

Please note: Use switch to turn unit on and off, not the plug.

How to adjust the height:

- 1) Disconnect the unit from the power supply before changing height.
- 2) Allow unit to cool.
- 3) Hold top part of the frame with one hand.
- 4) Loosen rear thumb screw until the unit raises or lowers freely.
- 5) After reaching the required height, tighten the thumb screw until unit is locked in place.



CAUTION

- 1) Do not raise the shield more than 18" above the base.
- 2) When moving the bulb warmer to a new location, make sure to turn the switch off (found in the back of the top frame), then unplug the unit from the wall receptacle.
- 3) It is recommended to disconnect the unit from power supply when not in use.
- 4) Check cord and plug appearance for damage, cracking or deterioration. If visible, have both replaced by authorized service agency.

IMPORTANT NOTE

Bulbs must be installed properly. If the bulb is not tightened properly in the socket, damage may occur. If bulbs require frequent replacement, this indicates damage has occurred to the socket.

This equipment is designed and sold for commercial use only. It is neither sold for consumer use in and around the home, nor for use directly by the general public in foodservice locations.

