

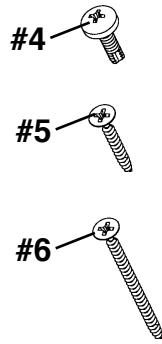
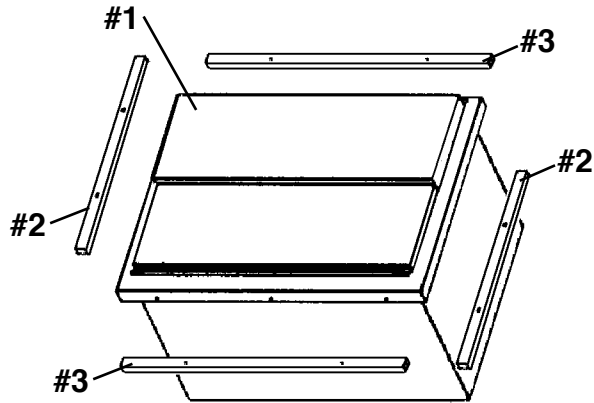
Drop-In Ice Chests

ASSEMBLY INSTRUCTIONS

CAUTION

INSPECT CONTENTS IMMEDIATELY AND FILE CLAIM WITH DELIVERING CARRIER FOR ANY DAMAGE. **SAVE YOUR BOX AND ALL PACKING MATERIALS.** YOU ARE RESPONSIBLE FOR DAMAGE TO YOUR UNIT IF RETURNED IMPROPERLY PACKED.

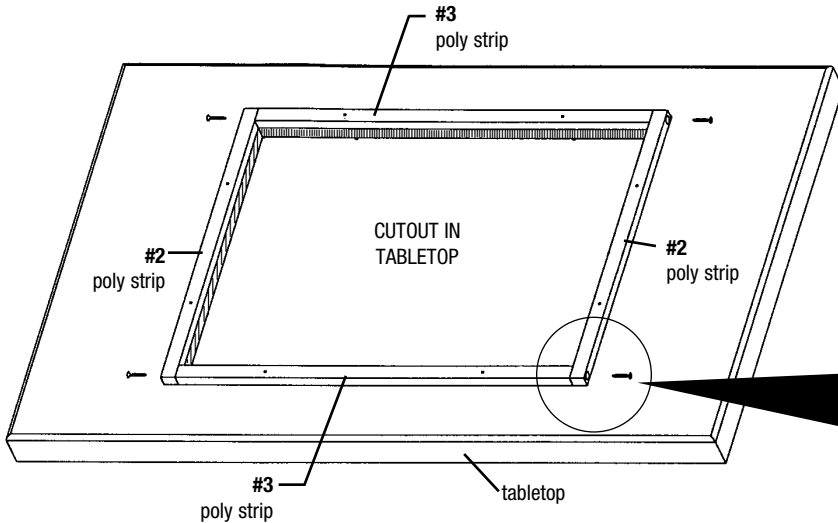
Parts List



#	qty	part #	description
#1	1	*	drop-in ice chest
#2	2	321665	poly strip
#3	2	321669	poly strip
#4	10	341488	drive screws
#5	4	002196	1" wood screw
#6	8	002199	2" wood screw

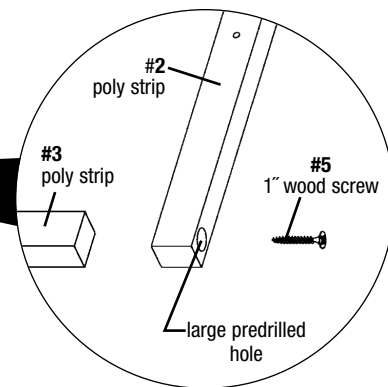
* Part number varies per order.

Step 1 - Position poly strips around the cutout.



Step 2 - Attach poly strips to create a poly strip frame.

Using a drill or screwdriver, drive the 1" wood screws (#5) through the four large holes and the ends of the adjoining poly strips.



(continued on back page)

EG10013 Revised 08/23



- 100 Industrial Boulevard, Clayton, Delaware 19938-8903 U.S.A.
- Phone: 302/653-3000 • 800/441-8440
- Fax: 302/653-2065 • www.eaglegrp.com

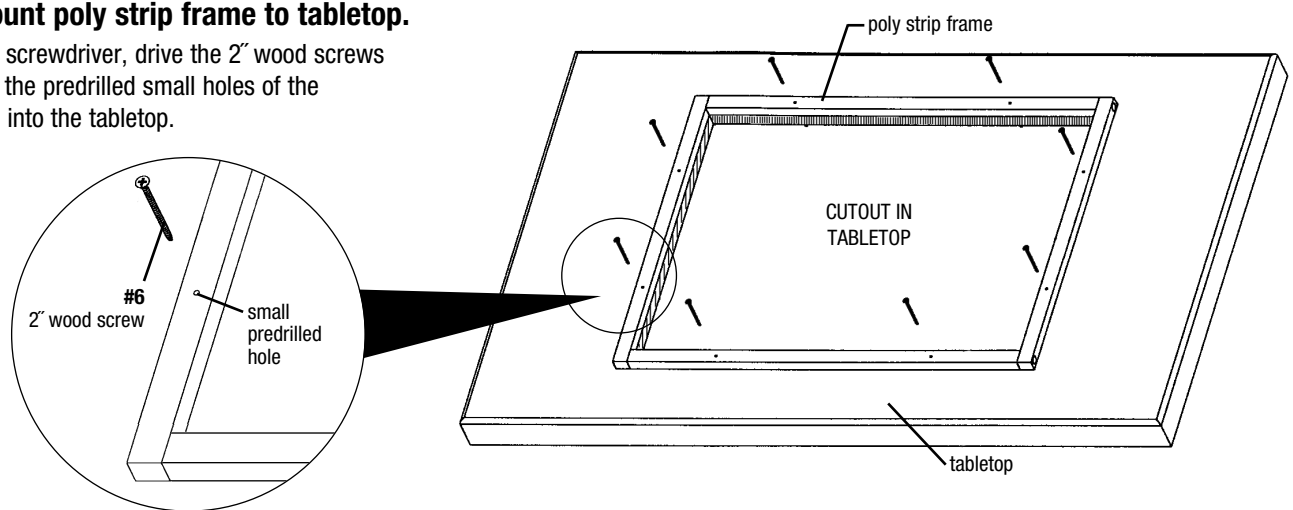
Eagle Foodservice Equipment, Eagle MHC, and SpecFAB® are divisions of Eagle Group. ©2023 by the Eagle Group

Drop-In Ice Chests

ASSEMBLY INSTRUCTIONS

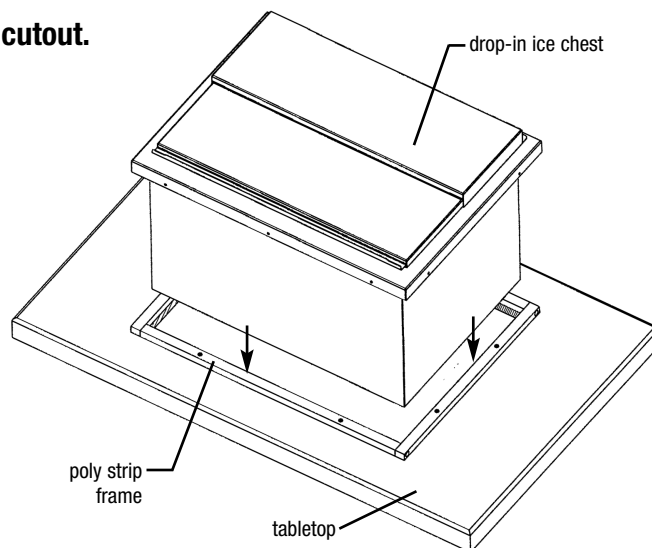
Step 3 - Mount poly strip frame to tabletop.

Using a drill or screwdriver, drive the 2" wood screws (#6) down into the predrilled small holes of the poly strips and into the tabletop.



Step 4 - Lower drop-in ice chest into cutout.

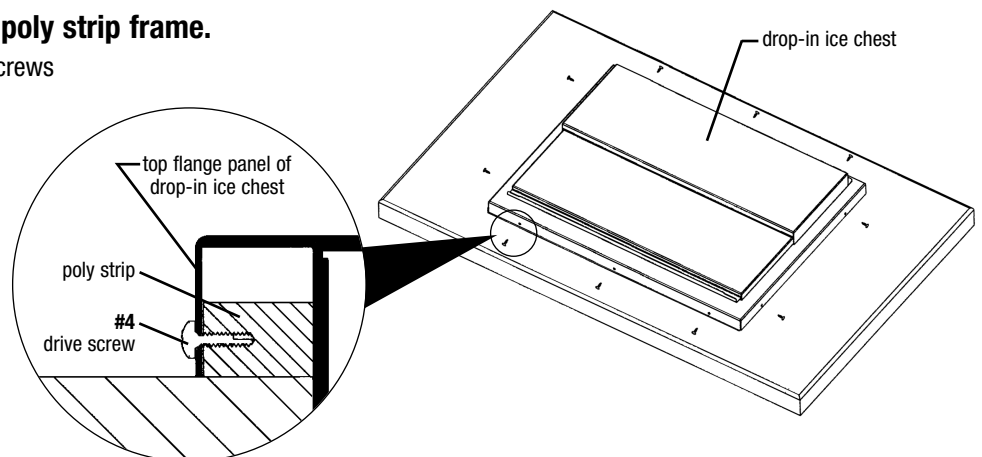
Top panel flanges of the drop-in ice chest should cover the poly strip frame on all four sides.



Step 5 - Mount drop-in ice chest to poly strip frame.

Using a drill or screwdriver, screw the drive screws (#4) into the prepunched holes of the top panel flanges and into the poly strips.

Note: Install all 10 drive screws to insure that the unit is secure.



(End)

EAGLE
GROUP
Profit from the Eagle Advantage®

• 100 Industrial Boulevard, Clayton, Delaware 19938-8903 U.S.A.
• Phone: 302/653-3000 • 800/441-8440
• Fax: 302/653-2065 • www.eaglegrp.com

Eagle Foodservice Equipment, Eagle MHC, and SpecFAB® are divisions of Eagle Group. ©2023 by the Eagle Group