

# Hand Sinks

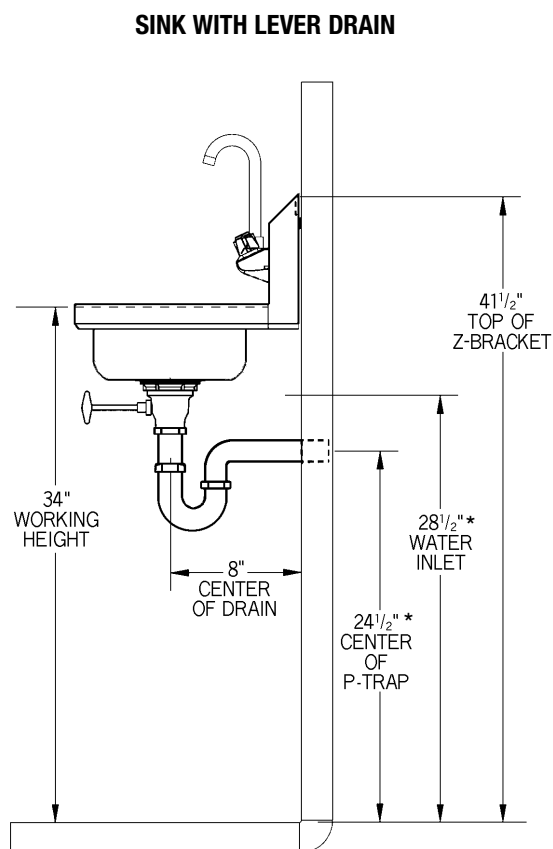
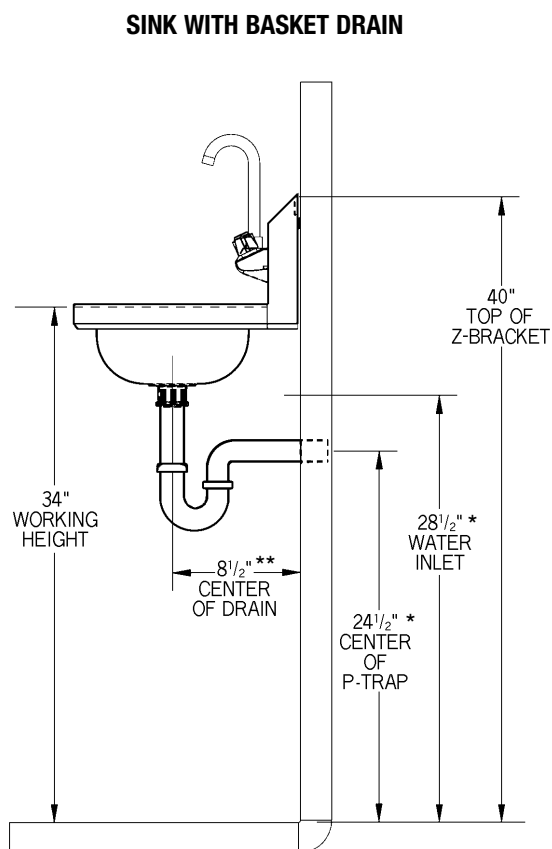
## INSTALLATION INSTRUCTIONS

For basic non-electric Hand Sinks with splash-mounted faucet, and with basket or lever drain.  
Instructions do NOT pertain to sinks with towel dispenser, skirting, or any other component.

### CAUTION

INSPECT CONTENTS IMMEDIATELY AND FILE CLAIM WITH DELIVERING CARRIER FOR ANY DAMAGE.  
**SAVE YOUR BOX AND ALL PACKING MATERIALS.**  
YOU ARE RESPONSIBLE FOR DAMAGE TO YOUR UNIT IF RETURNED IMPROPERLY PACKED.

### Dimensions for plumbing rough-ins:



\* Nominal – dimensions may vary.  
\*\* 10 1/2" on Narrow Hand Sinks.

(continued on back page)

EG10008 Revised 12/23

# Hand Sinks

## INSTALLATION INSTRUCTIONS

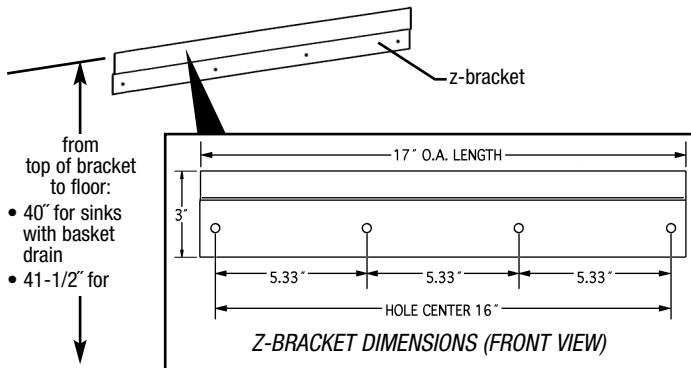
### Please note before installation:

- Attach faucet to hand sink per faucet instructions.
- Attach drain to hand sink per drain instructions.
- If your sink came with deck-mounted soap dispenser, attach per dispenser instructions.
- Please follow the plumbing rough-ins (front page). All dimensions are nominal.
- Instructions show sink with splash-mounted faucet, but also pertain to sinks with deck-mounted faucet.

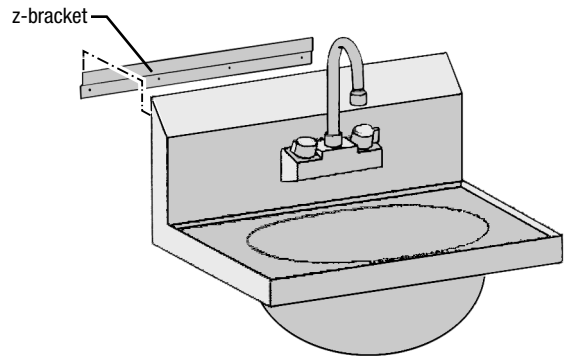
### Step 1 - Attach z-bracket to wall.

Use a level for straightness.

(Note: Mounting hardware not included.)

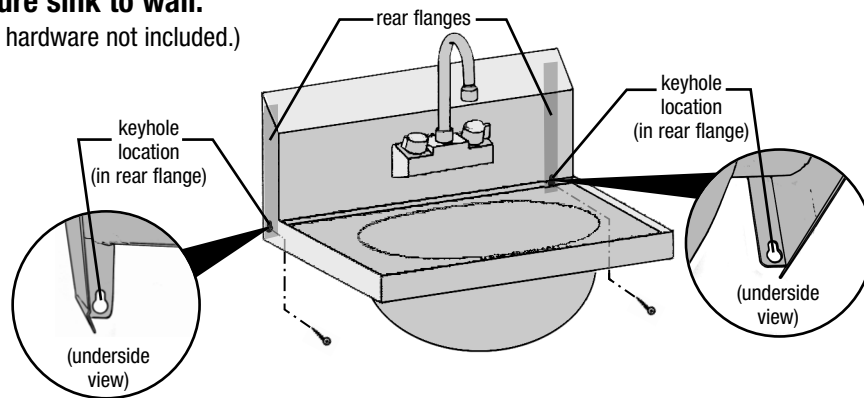


### Step 2 - Center and hang sink on z-bracket.



### Step 3 - Secure sink to wall.

(Note: Mounting hardware not included.)



### Step 4 - Attach plumbing.

Following plumbing rough-ins on front page. Attach water inlet lines and drainage.

Installation is complete.

(End)



- 100 Industrial Boulevard, Clayton, Delaware 19938-8903 U.S.A.
- Phone: 302/653-3000 • 800/441-8440 • Fax: 302/653-2065
- www.eaglegrp.com • www.eaglemh.com