

Pass-Thru Shelves

ASSEMBLY INSTRUCTIONS

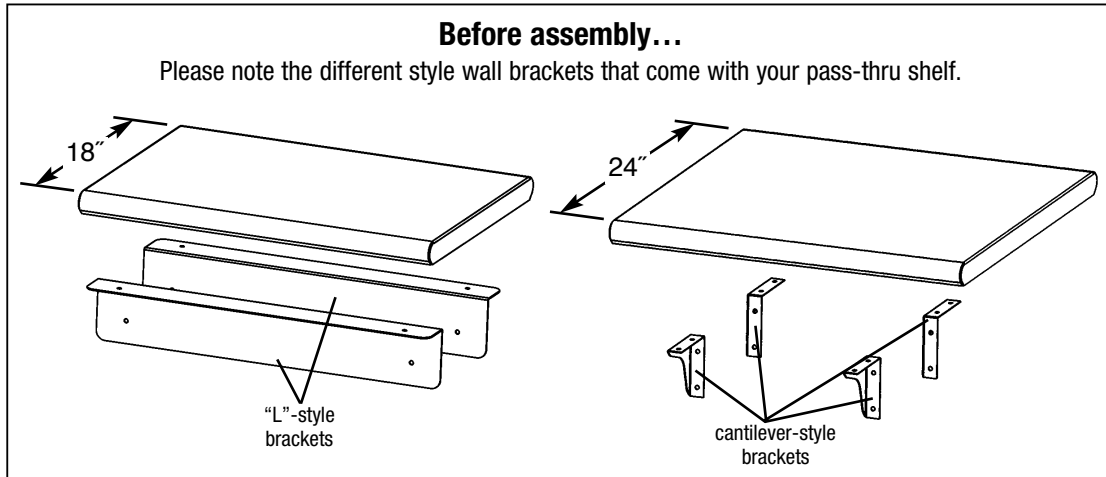
For Pass-Thru Shelves with Overshelf, see back page.

CAUTION

INSPECT CONTENTS IMMEDIATELY AND FILE CLAIM WITH DELIVERING CARRIER FOR ANY DAMAGE.

SAVE YOUR BOX AND ALL PACKING MATERIALS.

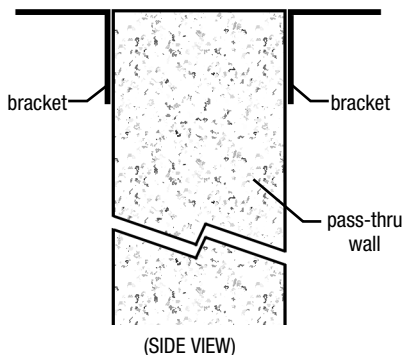
YOU ARE RESPONSIBLE FOR DAMAGE TO YOUR UNIT IF RETURNED IMPROPERLY PACKED.



Step 1 - Attach brackets to each side of pass-thru wall.

Bracket style varies, based on shelf width—see illustration above (hardware for mounting brackets to wall not included).

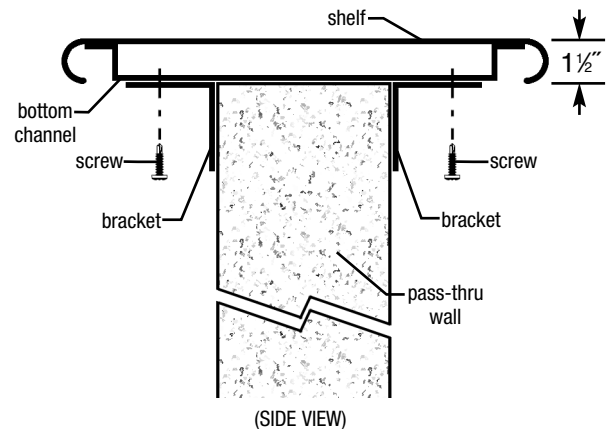
IMPORTANT: Make sure brackets will make contact with bottom channel of shelf to be mounted.



Step 2 - Attach shelf to brackets.

Center the shelf over the pass-thru wall. Attach brackets to bottom channel of shelf, using #10 self-drilling screws provided.

IMPORTANT NOTE: PASS-THRU SHELF IS 1-1/2" HIGHER THAN THE BRACKETS.



If your Pass-Thru Shelf does not have an overshelf, assembly is complete. **(End)**

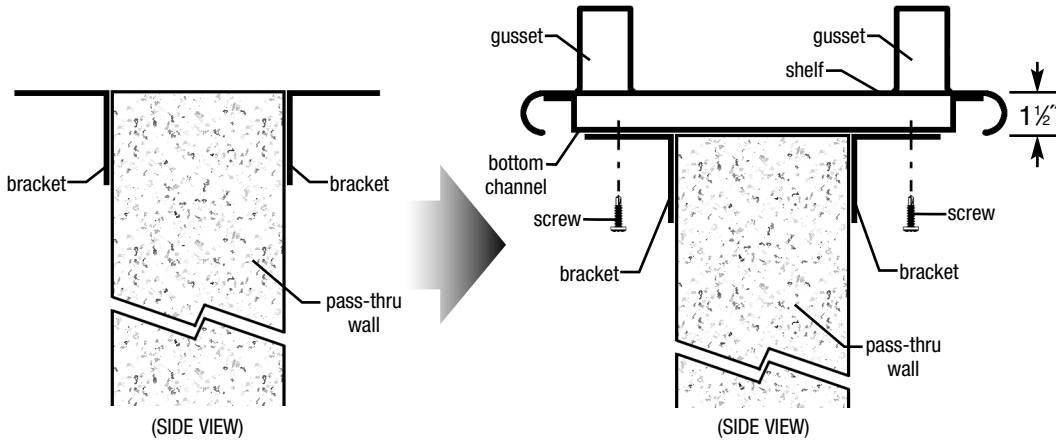
If your Pass-Thru Shelf comes with an overshelf, go to back page.

Note: The wall brackets must be fastened securely prior to mounting shelf. Eagle Group will not be held accountable for wall brackets pulling away from the wall.

Pass-Thru Shelves with Overshelf

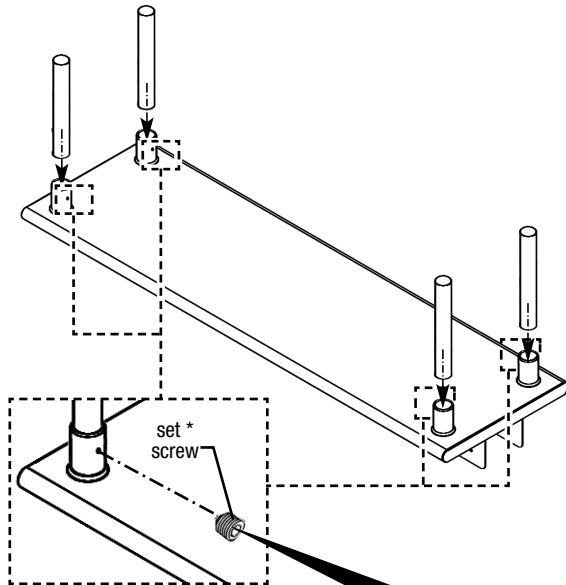
ASSEMBLY INSTRUCTIONS

Follow Steps 1 & 2 (front page), assembling Pass-Thru Shelf to pass-thru wall.



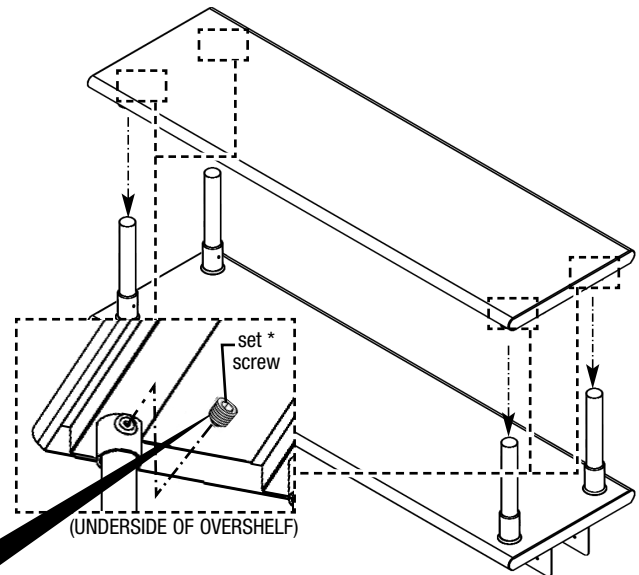
Step 3 - Attach legs to pass-thru shelf.

- Seat legs into gussets of pass-thru shelf.
- Snug set screw* into each gusset/leg.



Step 4 - Attach overshelf to legs.

- Align legs to gussets located on underside of overshelf.
- Carefully lower overshelf, inserting legs into overshelf gussets.
- Snug set screw* into each gusset/leg. Tighten all screws.



*** To meet NSF standards:**
Set screws must be filled
with NSF-approved sealant.

Assembly is complete.

(End)