



Profit from the Eagle Advantage®

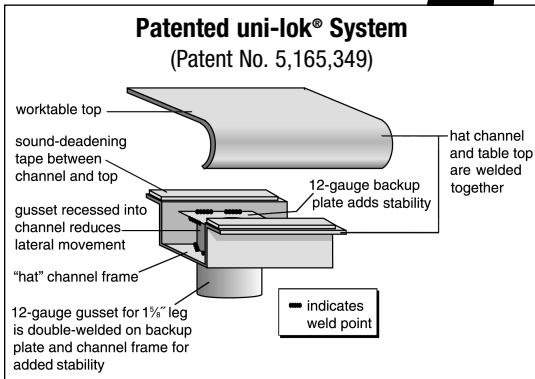
# Specification Sheet

## Short Form Specifications

Eagle worktables, Deluxe series, model \_\_\_\_\_.  
 Top constructed of 16 gauge 300 series stainless steel with 1½" roll on front and rear, and sides turned down 90°. Open front with 1½" O.D. stainless steel tubular crossbracing on sides and rear. Top reinforced with welded hat channels and sound deadened. Constructed with uni-lok® patented gusset system with the gussets recessed into the hat channels to reduce lateral movement. Legs are 1½" O.D. stainless steel tubing, with stainless steel gussets and 1" stainless steel adjustable bullet feet.



worktable with flat top and tubular base  
 —shown with optional drawer



Item No.: \_\_\_\_\_  
 Project No.: \_\_\_\_\_  
 S.I.S. No.: \_\_\_\_\_

## Worktables with Flat Top and Stainless Steel Tubular Base —Deluxe Series

### MODELS:

- |                                    |                                     |                                     |                                     |
|------------------------------------|-------------------------------------|-------------------------------------|-------------------------------------|
| <input type="checkbox"/> T2424STEB | <input type="checkbox"/> T24108STEB | <input type="checkbox"/> T3072STEB  | <input type="checkbox"/> T3660STEB  |
| <input type="checkbox"/> T2430STEB | <input type="checkbox"/> T24120STEB | <input type="checkbox"/> T3084STEB  | <input type="checkbox"/> T3672STEB  |
| <input type="checkbox"/> T2436STEB | <input type="checkbox"/> T24132STEB | <input type="checkbox"/> T3096STEB  | <input type="checkbox"/> T3684STEB  |
| <input type="checkbox"/> T2448STEB | <input type="checkbox"/> T24144STEB | <input type="checkbox"/> T30108STEB | <input type="checkbox"/> T3696STEB  |
| <input type="checkbox"/> T2460STEB | <input type="checkbox"/> T3030STEB  | <input type="checkbox"/> T30120STEB | <input type="checkbox"/> T36108STEB |
| <input type="checkbox"/> T2472STEB | <input type="checkbox"/> T3036STEB  | <input type="checkbox"/> T30132STEB | <input type="checkbox"/> T36120STEB |
| <input type="checkbox"/> T2484STEB | <input type="checkbox"/> T3048STEB  | <input type="checkbox"/> T30144STEB | <input type="checkbox"/> T36132STEB |
| <input type="checkbox"/> T2496STEB | <input type="checkbox"/> T3060STEB  | <input type="checkbox"/> T3648STEB  | <input type="checkbox"/> T36144STEB |

### Tabletop

- Patented uni-lok® gusset system (patent #5,165,349): gussets are recessed into hat channel, reducing lateral movement.
- Top reinforced with welded-on hat channel.
- Sound-deadened between top and channels.
- 1½" (38mm)-diameter 180° rolled edges on front and rear. Ends are turned down 90°, providing for flush installations when required.
- 16 gauge 300 series polished stainless steel.

### Crossbracing—1½" (38mm)-diameter

- Heavy gauge stainless steel.
- Aluminum castings join crossbraces, legs and rear brace.

### Legs—1½" (41mm)-diameter

- Tables 96" (2438mm) and longer come with six legs or more.
- Heavy gauge stainless steel.
- 1" (25mm) adjustable stainless steel feet.

### Options / Accessories

- |  |  |
|--|--|
| <input type="checkbox"/> Drawer                                | <input type="checkbox"/> Duplex receptacles                            |
| <input type="checkbox"/> Lock                                  | <input type="checkbox"/> Pot rack                                      |
| <input type="checkbox"/> Casters                               | <input type="checkbox"/> Sink  |
| <input type="checkbox"/> Overshelves                           | <input type="checkbox"/> Stabilizer Bar (for 30"- and 36"-wide tables) |
| <input type="checkbox"/> Knockdown Welded Base (see back page) |  |

### EAGLE GROUP

100 Industrial Boulevard, Clayton, DE 19938-8903 USA  
 Phone: 302-653-3000 • 800-441-8440 • Fax: 302-653-2065  
[www.eaglegrp.com](http://www.eaglegrp.com)  
[www.eaglehmc.com](http://www.eaglehmc.com)

For custom configuration or fabrication needs, contact our SpecFAB® Division.  
 Phone: 302-653-3000 • Fax: 302-653-2065 • e-mail: [quotes@eaglegrp.com](mailto:quotes@eaglegrp.com)

### Certifications / Approvals



EG10.43B Rev. 08/24

Spec sheets available for viewing, printing or downloading from our online literature library at our websites

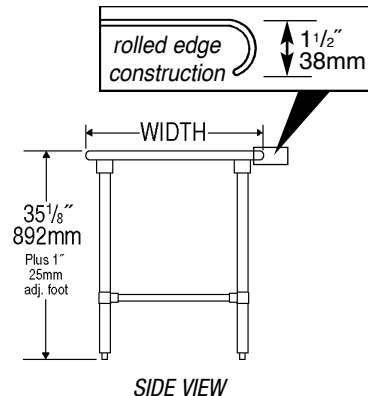
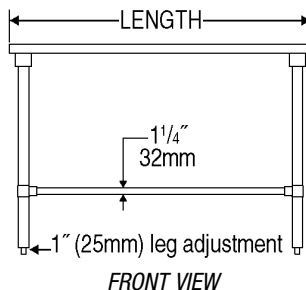
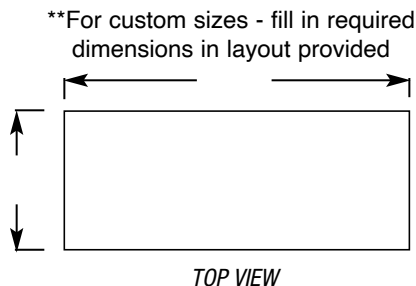
Eagle Foodservice Equipment, Eagle MHC, and SpecFAB® are divisions of Eagle Group. ©2024 by the Eagle Group



Profit from the Eagle Advantage®

Item No.: \_\_\_\_\_  
 Project No.: \_\_\_\_\_  
 S.I.S. No.: \_\_\_\_\_

# Worktables with Flat Top and Stainless Steel Tubular Base—Deluxe Series



model #	# of legs	width		length		weight	
		in.	mm	in.	mm	lbs.	kg
T2424STEB	4	24"	610	24"	610	44	20.0
T2430STEB	4	24"	610	30"	762	51	23.1
T2436STEB	4	24"	610	36"	914	53	24.0
T2448STEB	4	24"	610	48"	1219	67	30.4
T2460STEB	4	24"	610	60"	1524	79	35.8
T2472STEB	4	24"	610	72"	1829	82	37.2
T2484STEB	4	24"	610	84"	2134	132	59.9
T2496STEB	6	24"	610	96"	2438	157	71.2
T24108STEB	6	24"	610	108"	2743	160	72.6
T24120STEB	6	24"	610	120"	3048	165	74.8
T24132STEB	8	24"	610	132"	3353	199	90.3
T24144STEB	8	24"	610	144"	3658	234	106.1
T3030STEB	4	30"	762	30"	762	55	25.0
T3036STEB	4	30"	762	36"	914	62	28.1
T3048STEB	4	30"	762	48"	1219	77	34.9
T3060STEB	4	30"	762	60"	1524	87	39.5
T3072STEB	4	30"	762	72"	1829	105	47.6
T3084STEB	4	30"	762	84"	2134	137	62.1
T3096STEB	6	30"	762	96"	2438	169	76.7
T30108STEB	6	30"	762	108"	2743	176	79.6
T30120STEB	6	30"	762	120"	3048	182	82.6
T30132STEB	8	30"	762	132"	3353	210	95.3
T30144STEB	8	30"	762	144"	3658	218	98.9
T3648STEB	4	36"	914	48"	1219	84	38.1
T3660STEB	4	36"	914	60"	1524	99	44.9
T3672STEB	4	36"	914	72"	1829	114	51.7
T3684STEB	4	36"	914	84"	2134	183	83.0
T3696STEB	6	36"	914	96"	2438	203	92.1
T36108STEB	6	36"	914	108"	2743	210	95.3
T36120STEB	6	36"	914	120"	3048	217	98.4
T36132STEB	8	36"	914	132"	3353	229	103.9
T36144STEB	8	36"	914	144"	3658	241	109.3

**NEW Option for Worktables with Stainless Steel Base: Knockdown Welded Base** **PATENT PENDING**

worktable shown with base knocked down      worktable assembled

- Precision machined stainless steel threaded inserts pressed into 16 gauge 1 5/8"-diameter leg sections for knockdown construction
- C-Frame stainless steel tubular base

Add suffix **"-KDWB"** to worktable model number (ex: T2436STEB-KDWB). See EG8217 for more info.

**EAGLE GROUP**  
 100 Industrial Boulevard, Clayton, DE 19938-8903 USA  
 Phone: 302-653-3000 or 800-441-8440 • Fax: 302-653-2065  
 www.eaglegrp.com • www.eaglemhc.com

Printed in U.S.A.  
 ©2024 by Eagle Group  
 Rev. 08/24

Spec sheets available for viewing, printing or downloading from our online literature library at our websites

Although every attempt has been made to ensure the accuracy of the information provided, we cannot be held responsible for typographical or printing errors. Information and specifications are subject to change without notice. Please confirm at time of order.