



Profit from the Eagle Advantage®

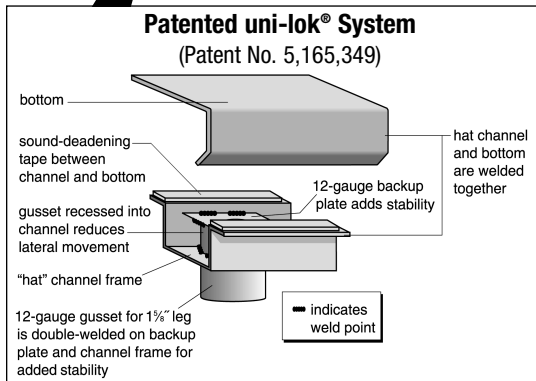
Specification Sheet

Short Form Specifications

Eagle Spec-Master® Enclosed Base Worktable, model _____ . Top is 14/304 stainless steel, sides and back are heavy gauge stainless steel. (Open Front, Stainless Steel Sliding Door, or Stainless Steel Hinged Door) models with 1½" rolled edge on front, sides turned down, and rear turned up 1½". Constructed with uni-lok® patented gusset system, with the gussets recessed into the hat channels to reduce lateral movement. 1½" O.D. stainless steel tubular legs with adjustable bullet feet.



enclosed worktable with open front



Item No.: _____
 Project No.: _____
 S.I.S. No.: _____

Spec-Master® Enclosed Worktables with Upturn

MODELS:

- | | | |
|-------------------------------------|-------------------------------------|--------------------------------------|
| <input type="checkbox"/> UOB2436SE | <input type="checkbox"/> UCB2436SE | <input type="checkbox"/> UCBH2436SE |
| <input type="checkbox"/> UOB2448SE | <input type="checkbox"/> UCB2448SE | <input type="checkbox"/> UCBH2448SE |
| <input type="checkbox"/> UOB2460SE | <input type="checkbox"/> UCB2460SE | <input type="checkbox"/> UCBH2460SE |
| <input type="checkbox"/> UOB2472SE | <input type="checkbox"/> UCB2472SE | <input type="checkbox"/> UCBH2472SE |
| <input type="checkbox"/> UOB2484SE | <input type="checkbox"/> UCB2484SE | <input type="checkbox"/> UCBH2484SE |
| <input type="checkbox"/> UOB2496SE | <input type="checkbox"/> UCB2496SE | <input type="checkbox"/> UCBH2496SE |
| <input type="checkbox"/> UOB24120SE | <input type="checkbox"/> UCB24120SE | <input type="checkbox"/> UCBH24120SE |
| <input type="checkbox"/> UOB3036SE | <input type="checkbox"/> UCB3036SE | <input type="checkbox"/> UCBH3036SE |
| <input type="checkbox"/> UOB3048SE | <input type="checkbox"/> UCB3048SE | <input type="checkbox"/> UCBH3048SE |
| <input type="checkbox"/> UOB3060SE | <input type="checkbox"/> UCB3060SE | <input type="checkbox"/> UCBH3060SE |
| <input type="checkbox"/> UOB3072SE | <input type="checkbox"/> UCB3072SE | <input type="checkbox"/> UCBH3072SE |
| <input type="checkbox"/> UOB3084SE | <input type="checkbox"/> UCB3084SE | <input type="checkbox"/> UCBH3084SE |
| <input type="checkbox"/> UOB3096SE | <input type="checkbox"/> UCB3096SE | <input type="checkbox"/> UCBH3096SE |
| <input type="checkbox"/> UOB30120SE | <input type="checkbox"/> UCB30120SE | <input type="checkbox"/> UCBH30120SE |

Features

- All-welded design.
- Available with open front, sliding doors, or hinged doors.
- Doors are 20 gauge type 430 stainless steel.
- Top mechanically polished to satin finish.
- Top is 14 gauge type 304 stainless steel reinforced with a full length "hat" channel support.
- Body is heavy gauge type 430 stainless steel.
- Sound-deadened between top and frame.
- 1½" (42mm)-diameter type 304 stainless legs.
- 1" (25mm) adjustable stainless steel feet.
- 1½" (38mm) sanitary rolled rim on front.
- 1½" (38mm) upturn on rear.
- Square edge on ends for flush fit.
- Optional fixed center shelf available. To order, add suffix "-CS" to model number. Example: UOB2436SE-CS

Options / Accessories

- | | |
|--|--|
| <input type="checkbox"/> Lock (for units with doors) | <input type="checkbox"/> Center shelf |
| <input type="checkbox"/> Casters* | <input type="checkbox"/> Sound deadening |
| <input type="checkbox"/> Overshelf | |

* To order table with 4" (102mm)-diameter casters, add suffix "-CA" (ex: UOB3036SE-CA). To order table with 5" (127mm)-diameter casters, add suffix "-CAH" (ex: UCBH3048SE-CAH).

EAGLE GROUP

100 Industrial Boulevard, Clayton, DE 19938-8903 USA
 Phone: 302-653-3000 • 800-441-8440 • Fax: 302-653-2065
 www.eaglegrp.com
 www.eaglehmc.com

For custom configuration or fabrication needs, contact our SpecFAB® Division.
 Phone: 302-653-3000 • Fax: 302-653-2065 • e-mail: quotes@eaglegrp.com

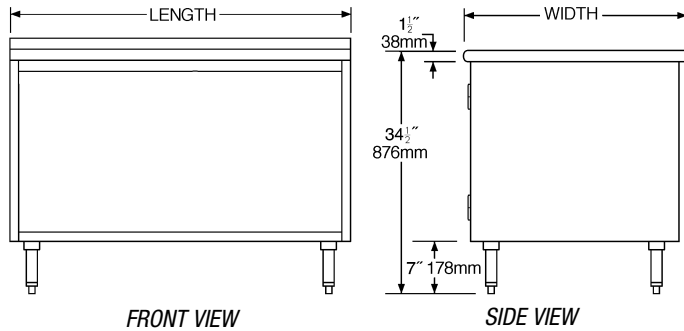


EG10.31 Rev. 11/23

Spec sheets available for viewing, printing or downloading from our online literature library at our websites

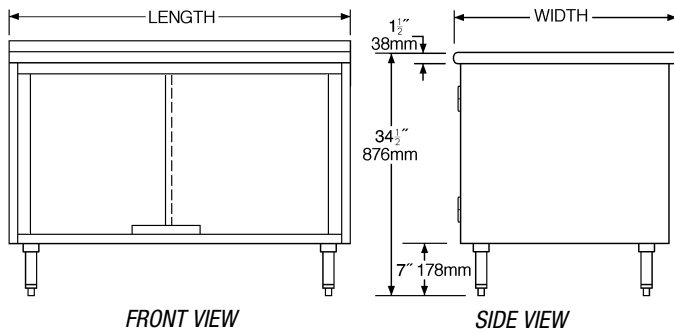
Item No.: _____
Project No.: _____
S.I.S. No.: _____

Spec-Master® Enclosed Worktables with Open Front



model #	width		length		weight		no. of legs
	in.	mm	in.	mm	lbs.	kg	
UOB2436SE	24"	610	36"	914	149	67.6	4
UOB2448SE	24"	610	48"	1219	198	90.3	4
UOB2460SE	24"	610	60"	1524	248	112.5	4
UOB2472SE	24"	610	72"	1829	297	134.7	4
UOB2484SE	24"	610	84"	2134	347	157.4	6
UOB2496SE	24"	610	96"	2438	396	179.6	6
UOB24120SE	24"	610	120"	3048	495	224.5	6
UOB3036SE	30"	762	36"	914	149	67.6	4
UOB3048SE	30"	762	48"	1219	198	90.3	4
UOB3060SE	30"	762	60"	1524	248	112.5	4
UOB3072SE	30"	762	72"	1829	305	138.4	4
UOB3084SE	30"	762	84"	2134	353	160.1	6
UOB3096SE	30"	762	96"	2438	401	181.9	6
UOB30120SE	30"	762	120"	3048	495	224.5	6

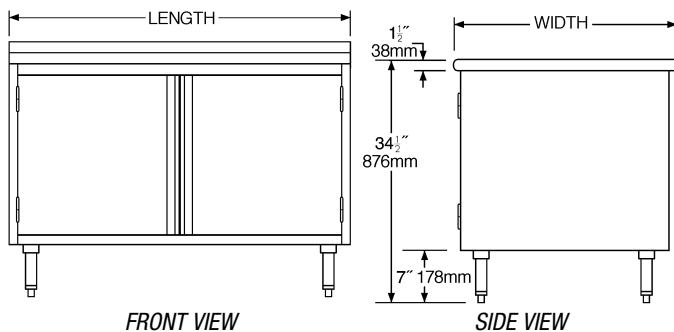
Spec-Master® Enclosed Worktables with Sliding Doors



model #	width		length		weight		no. of legs
	in.	mm	in.	mm	lbs.	kg	
UCB2436SE	24"	610	36"	914	187	84.8	4
UCB2448SE	24"	610	48"	1219	249	113.0	4
UCB2460SE	24"	610	60"	1524	311	141.1	4
UCB2472SE	24"	610	72"	1829	373	169.2	4
UCB2484SE*	24"	610	84"	2134	435	197.3	6
UCB2496SE*	24"	610	96"	2438	497	225.4	6
UCB24120SE*	24"	610	120"	3048	621	281.7	6
UCB3036SE	30"	762	36"	914	202	91.6	4
UCB3048SE	30"	762	48"	1219	270	122.5	4
UCB3060SE	30"	762	60"	1524	336	152.4	4
UCB3072SE	30"	762	72"	1829	404	183.3	4
UCB3084SE*	30"	762	84"	2134	471	213.7	6
UCB3096SE*	30"	762	96"	2438	539	244.5	6
UCB30120SE*	30"	762	120"	3048	672	304.5	6

* Note: Worktables 84" (2134mm) and longer have two sets of doors.

Spec-Master® Enclosed Worktables with Hinged Doors



model #	width		length		weight		no. of legs
	in.	mm	in.	mm	lbs.	kg	
UCBH2436SE	24"	610	36"	914	187	84.8	4
UCBH2448SE	24"	610	48"	1219	249	113.0	4
UCBH2460SE	24"	610	60"	1524	311	141.1	4
UCBH2472SE	24"	610	72"	1829	373	169.2	4
UCBH2484SE*	24"	610	84"	2134	435	197.3	6
UCBH2496SE*	24"	610	96"	2438	497	225.4	6
UCBH24120SE*	24"	610	120"	3048	621	281.7	6
UCBH3036SE	30"	762	36"	914	209	94.8	4
UCBH3048SE	30"	762	48"	1219	278	126.1	4
UCBH3060SE	30"	762	60"	1524	347	157.4	4
UCBH3072SE	30"	762	72"	1829	416	188.7	4
UCBH3084SE*	30"	762	84"	2134	486	220.5	6
UCBH3096SE*	30"	762	96"	2438	555	251.8	6
UCBH30120SE*	30"	762	120"	3048	693	314.4	6

* Note: Worktables 84" (2134mm) and longer have two sets of doors.

EAGLE GROUP

100 Industrial Boulevard, Clayton, DE 19938-8903 USA

Phone: 302-653-3000 or 800-441-8440 • Fax: 302-653-2065

www.eaglegrp.com • www.eaglehmc.com

Printed in U.S.A.

©2023 by Eagle Group

Rev. 11/23

Spec sheets available for viewing, printing or downloading from our online literature library at our websites

Although every attempt has been made to ensure the accuracy of the information provided, we cannot be held responsible for typographical or printing errors. Information and specifications are subject to change without notice. Please confirm at time of order.