



Profit from the Eagle Advantage®

# Specification Sheet

## Short Form Specifications

Eagle Mixer Stand, model \_\_\_\_\_ . Top to be 16 gauge 300 series stainless steel with rolled edges on all sides. 24" O.A. working height. Constructed with uni-lok® patented gusset system, with the gussets recessed into the hat channels to reduce lateral movement.

- *Units with undershelf:* Heavy gauge galvanized or stainless steel adjustable undershelf. 1 5/8" O.D. galvanized or stainless steel tubular legs with adjustable bullet feet.
- *Units with tubular base:* 1 5/8" O.D. galvanized or stainless steel adjustable tubular legs with 1 1/4" O.D. galvanized or stainless steel tubular cross rails, and adjustable bullet feet.

Eagle Utensil Rack, model UR-501, for mixer stands. 1 5/8"-diameter stainless steel rod with five 5/16" stainless steel rods, approximately 5" long, for utensils.



mixer stand shown with optional utensil rack

## Options / Accessories

- Drawers
- Casters
- Utensil rack

## EAGLE GROUP

100 Industrial Boulevard, Clayton, DE 19938-8903 USA  
 Phone: 302-653-3000 • 800-441-8440 • Fax: 302-653-2065  
 www.eaglegrp.com  
 www.eaglehmc.com

For custom configuration or fabrication needs, contact our **SpecFAB® Division**.  
 Phone: 302-653-3000 • Fax: 302-653-2065 • e-mail: quotes@eaglegrp.com

Item No.: \_\_\_\_\_  
 Project No.: \_\_\_\_\_  
 S.I.S. No.: \_\_\_\_\_

## Mixer Stands

### MODELS:

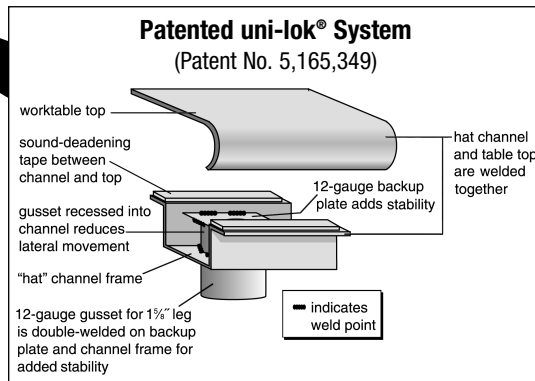
- |                                  |                                   |                                   |                                   |
|----------------------------------|-----------------------------------|-----------------------------------|-----------------------------------|
| <input type="checkbox"/> MS2424  | <input type="checkbox"/> MS3036   | <input type="checkbox"/> TMS3024  | <input type="checkbox"/> TMS3636  |
| <input type="checkbox"/> MS2424S | <input type="checkbox"/> MS3036S  | <input type="checkbox"/> TMS3024S | <input type="checkbox"/> TMS3636S |
| <input type="checkbox"/> MS3024  | <input type="checkbox"/> MS3636   | <input type="checkbox"/> TMS3030  | <input type="checkbox"/> CA4-SB   |
| <input type="checkbox"/> MS3024S | <input type="checkbox"/> MS3636S  | <input type="checkbox"/> TMS3030S | <input type="checkbox"/> CA6-SB   |
| <input type="checkbox"/> MS3030  | <input type="checkbox"/> TMS2424  | <input type="checkbox"/> TMS3036  | <input type="checkbox"/> CAH4-SB  |
| <input type="checkbox"/> MS3030S | <input type="checkbox"/> TMS2424S | <input type="checkbox"/> TMS3036S | <input type="checkbox"/> CAH6-SB  |
|                                  |                                   |                                   | <input type="checkbox"/> UR-501   |

### Mixer Stands

- Highly-polished die-formed 16 gauge 300 series stainless steel tabletop, with rolled front edge and ends turned down at 90°.
- Uni-lok® gusset system (patent #5,165,349): gusset is recessed into hat channel underside tabletop, reducing lateral movement.
- Galvanized or stainless steel base available with adjustable undershelf or adjustable tubular frame.
- 1 5/8" (41mm)-diameter legs are galvanized with adjustable nonmarking plastic bullet feet, or stainless steel with stainless steel adjustable bullet feet.
- Tabletop weight capacity: 600 lbs. (272.2 kg).
- Undershelf weight capacity: 150 lbs. (68.0 kg).

### Optional Utensil Rack—#UR-501

- Five 5/16" (8mm)-diameter stainless steel utility rods approximately 5" (127mm) in length.
- 1 5/8" (41mm)-diameter stainless steel tubular support, 54" (1371mm) height.



## Certifications / Approvals



EG10.26A Rev. 11/23

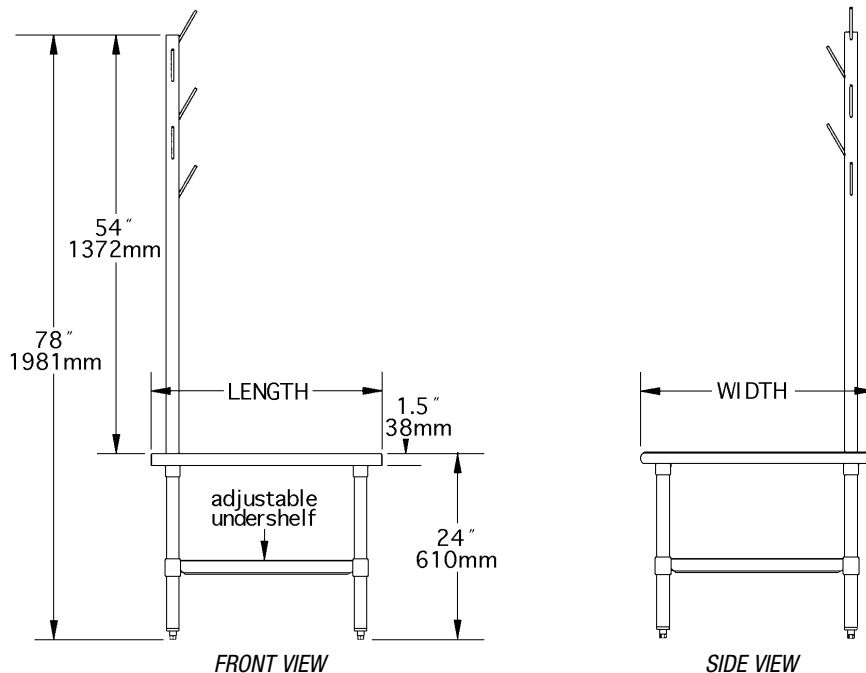
Spec sheets available for viewing, printing or downloading from our online literature library at our websites



Profit from the Eagle Advantage®

Item No.: \_\_\_\_\_  
 Project No.: \_\_\_\_\_  
 S.I.S. No.: \_\_\_\_\_

# Mixer Stands



(mixer stand with optional utensil rack)

width			length		weight		...WITH UNDERSHELF		...WITH TUBULAR BASE	
in.	mm		in.	mm	lbs.	kg	with galvanized legs	with stainless steel legs	with galvanized legs	with stainless steel legs
							model #	model #	model #	model #
24"	610		24"	610	42	19.1	<b>MS2424</b>	<b>MS2424S</b>	<b>TMS2424</b>	<b>TMS2424S</b>
30"	762		24"	610	47	21.3	<b>MS3024</b>	<b>MS3024S</b>	<b>TMS3024</b>	<b>TMS3024S</b>
30"	762		30"	762	56	25.4	<b>MS3030</b>	<b>MS3030S</b>	<b>TMS3030</b>	<b>TMS3030S</b>
30"	762		36"	914	59	26.8	<b>MS3036</b>	<b>MS3036S</b>	<b>TMS3036</b>	<b>TMS3036S</b>
36"	914		36"	914	68	30.9	<b>MS3636</b>	<b>MS3636S</b>	<b>TMS3636</b>	<b>TMS3636S</b>



## Optional Casters

description	weight cap. per caster		model #
	lbs.	kg	
4" (102mm)-dia., set of four (two swivel, two w/brake)	115	52.2	<b>CA4-SB</b>
4" (102mm)-dia., set of six (three swivel, three w/brake)	115	52.2	<b>CA6-SB</b>
5" (127mm)-dia., set of four (two swivel, two w/brake)	200	90.7	<b>CAH4-SB</b>
5" (127mm)-dia., set of six (three swivel, three w/brake)	200	90.7	<b>CAH6-SB</b>

## Optional Utensil Rack

weight		
lbs.	kg	model #
23	10.4	<b>UR-501</b>

**EAGLE GROUP**  
 100 Industrial Boulevard, Clayton, DE 19938-8903 USA  
 Phone: 302-653-3000 or 800-441-8440 • Fax: 302-653-2065  
 www.eaglegrp.com • www.eaglehmc.com

Printed in U.S.A.  
 ©2023 by Eagle Group

Rev. 11/23

Spec sheets available for viewing, printing or downloading from our online literature library at our websites

Although every attempt has been made to ensure the accuracy of the information provided, we cannot be held responsible for typographical or printing errors. Information and specifications are subject to change without notice. Please confirm at time of order.