

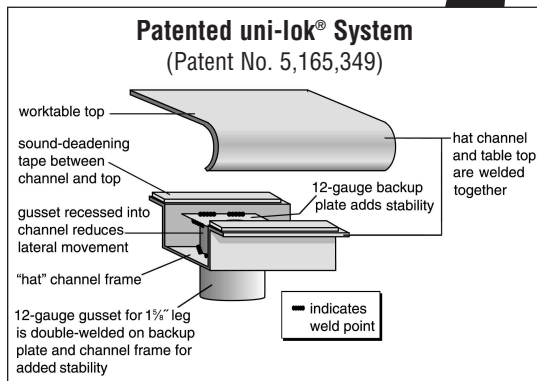


Profit from the Eagle Advantage®

Specification Sheet

Short Form Specifications

Eagle worktables, Spec-Master® series, model _____.
 Top constructed of 14 gauge 300 series stainless steel with 1½" roll on front and 1½" rear upturn, and sides turned down 90°. Undershef is adjustable and constructed of heavy gauge galvanized. Top reinforced with welded hat channels, and sound deadened. Constructed with uni-lok® patented gusset system, with the gussets recessed into the hat channels to reduce lateral movement. Legs are 1½" O.D. galvanized tubing with galvanized gussets, and 1" hi-impact plastic bullet feet.



EAGLE GROUP
 100 Industrial Boulevard, Clayton, DE 19938-8903 USA
 Phone: 302-653-3000 • Fax: 302-653-2065
 www.eaglegrp.com

Foodservice Division: Phone 800-441-8440
MHC/Retail Display Divisions: Phone 800-637-5100

For custom configuration or fabrication needs, contact our **SpecFAB® Division**.
 Phone: 302-653-3000 • Fax: 302-653-2065 • e-mail: quotes@eaglegrp.com

Spec sheets available for viewing, printing or downloading from our online literature library at www.eaglegrp.com

Eagle Foodservice Equipment, Eagle MHC, SpecFAB®, and Retail Display are divisions of Eagle Group. ©2015 by the Eagle Group

Item No.: _____
 Project No.: _____
 S.I.S. No.: _____

Worktables with Rear Upturn and Galvanized Base with Adjustable Undershef —Spec-Master® Series

MODELS:

- | | | | |
|----------------------------------|-----------------------------------|-----------------------------------|-----------------------------------|
| <input type="checkbox"/> UT2424E | <input type="checkbox"/> UT24108E | <input type="checkbox"/> UT3072E | <input type="checkbox"/> UT3660E |
| <input type="checkbox"/> UT2430E | <input type="checkbox"/> UT24120E | <input type="checkbox"/> UT3084E | <input type="checkbox"/> UT3672E |
| <input type="checkbox"/> UT2436E | <input type="checkbox"/> UT24132E | <input type="checkbox"/> UT3096E | <input type="checkbox"/> UT3684E |
| <input type="checkbox"/> UT2448E | <input type="checkbox"/> UT24144E | <input type="checkbox"/> UT30108E | <input type="checkbox"/> UT3696E |
| <input type="checkbox"/> UT2460E | <input type="checkbox"/> UT3030E | <input type="checkbox"/> UT30120E | <input type="checkbox"/> UT36108E |
| <input type="checkbox"/> UT2472E | <input type="checkbox"/> UT3036E | <input type="checkbox"/> UT30132E | <input type="checkbox"/> UT36120E |
| <input type="checkbox"/> UT2484E | <input type="checkbox"/> UT3048E | <input type="checkbox"/> UT30144E | <input type="checkbox"/> UT36132E |
| <input type="checkbox"/> UT2496E | <input type="checkbox"/> UT3060E | <input type="checkbox"/> UT3648E | <input type="checkbox"/> UT36144E |

Tabletop

- Top reinforced with welded-on hat channel.
- Sound-deadened between top and channels.
- 1½" (38mm) 90° rear upturn with radius at intersection.
- 1½" (38mm)-diameter 180° rolled edge on front. Ends are turned down 90° providing for flush installations when required.
- 14 gauge type 304 polished stainless steel.

Adjustable Undershef

- Heavy gauge, galvanized.

Legs—1½" (41mm)-diameter

- Units 96" to 120" (2438 to 3048mm) long come with six legs; Units 132" and 144" (3353 and 3658mm) come with eight legs.
- Patented uni-lok® gusset system (patent #5,165,349) is recessed into channel, reducing lateral movement.
- Heavy gauge galvanized steel.
- Galvanized gussets.
- 1" (25mm) adjustable hi-impact plastic feet.

Options / Accessories

- | | |
|--|--|
| <input type="checkbox"/> Drawer | <input type="checkbox"/> Duplex receptacles |
| <input type="checkbox"/> Lock | <input type="checkbox"/> Pot rack |
| <input type="checkbox"/> Casters | <input type="checkbox"/> Sink |
| <input type="checkbox"/> Stainless steel bullet feet | <input type="checkbox"/> Additional undershef |
| <input type="checkbox"/> Stainless steel gussets | <input type="checkbox"/> Stabilizer Bar (for 30"- and 36"-wide tables) |
| <input type="checkbox"/> Overshelves | |

Certifications / Approvals



AUTOQUOTES



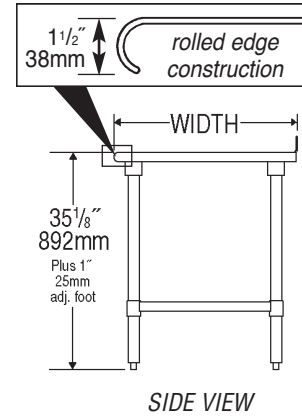
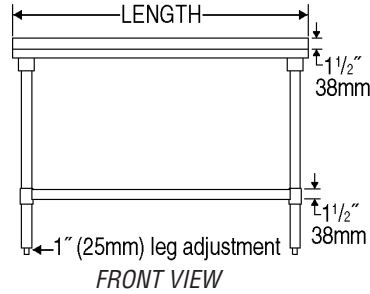
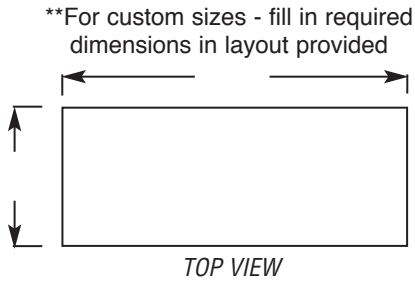
EG10.02C Rev. 06/15

Catalog Specification Sheet No. **EG10.02C** Spec-Master® Series Worktables with Rear Upturn and Galvanized Base with Adjustable Undershef



Item No.: _____
 Project No.: _____
 S.I.S. No.: _____

Worktables with Rear Uprturn and Galvanized Base with Adjustable Undershelf—Spec-Master® Series



| model # | # of legs | width | | length | | weight | |
|----------|-----------|-------|-----|--------|------|--------|------|
| | | in. | mm | in. | mm | lbs. | kg |
| UT2424E | 4 | 24" | 610 | 24" | 610 | 44 | 20.0 |
| UT2430E | 4 | 24" | 610 | 30" | 762 | 50 | 22.7 |
| UT2436E | 4 | 24" | 610 | 36" | 914 | 55 | 24.9 |
| UT2448E | 4 | 24" | 610 | 48" | 1219 | 66 | 29.5 |
| UT2460E | 4 | 24" | 610 | 60" | 1524 | 77 | 34.9 |
| UT2472E | 4 | 24" | 610 | 72" | 1829 | 88 | 39.9 |
| UT2484E | 4 | 24" | 610 | 84" | 2134 | 99 | 44.9 |
| UT2496E | 6 | 24" | 610 | 96" | 2438 | 110 | 49.9 |
| UT24108E | 6 | 24" | 610 | 108" | 2743 | 121 | 54.9 |
| UT24120E | 6 | 24" | 610 | 120" | 3048 | 132 | 59.9 |
| UT24132E | 8 | 24" | 610 | 132" | 3353 | 143 | 64.9 |
| UT24144E | 8 | 24" | 610 | 144" | 3658 | 154 | 69.9 |
| UT3030E | 4 | 30" | 762 | 30" | 762 | 55 | 24.9 |
| UT3036E | 4 | 30" | 762 | 36" | 914 | 61 | 27.7 |
| UT3048E | 4 | 30" | 762 | 48" | 1219 | 72 | 32.7 |
| UT3060E | 4 | 30" | 762 | 60" | 1524 | 83 | 37.6 |
| UT3072E | 4 | 30" | 762 | 72" | 1829 | 94 | 42.6 |
| UT3084E | 4 | 30" | 762 | 84" | 2134 | 105 | 47.6 |
| UT3096E | 6 | 30" | 762 | 96" | 2438 | 116 | 52.6 |
| UT30108E | 6 | 30" | 762 | 108" | 2743 | 127 | 57.6 |
| UT30120E | 6 | 30" | 762 | 120" | 3048 | 138 | 62.6 |
| UT30132E | 8 | 30" | 762 | 132" | 3353 | 149 | 67.6 |
| UT30144E | 8 | 30" | 762 | 144" | 3658 | 160 | 72.6 |
| UT3648E | 4 | 36" | 914 | 48" | 1219 | 83 | 37.6 |
| UT3660E | 4 | 36" | 914 | 60" | 1524 | 94 | 42.6 |
| UT3672E | 4 | 36" | 914 | 72" | 1829 | 105 | 47.6 |
| UT3684E | 4 | 36" | 914 | 84" | 2134 | 116 | 52.6 |
| UT3696E | 6 | 36" | 914 | 96" | 2438 | 127 | 57.6 |
| UT36108E | 6 | 36" | 914 | 108" | 2743 | 138 | 62.6 |
| UT36120E | 6 | 36" | 914 | 120" | 3048 | 149 | 67.6 |
| UT36132E | 8 | 36" | 914 | 132" | 3353 | 160 | 72.6 |
| UT36144E | 8 | 36" | 914 | 144" | 3658 | 171 | 77.6 |

EAGLE GROUP
 100 Industrial Boulevard, Clayton, DE 19938-8903 USA
 Phone: 302-653-3000 • Fax: 302-653-2065
 www.eaglegrp.com

Foodservice Division: Phone 800-441-8440
 MHC/Retail Display Divisions: Phone 800-637-5100

Printed in U.S.A.
 ©2015 by Eagle Group
 Rev. 06/15

Spec sheets available for viewing, printing or downloading from our online literature library at www.eaglegrp.com

Although every attempt has been made to ensure the accuracy of the information provided, we cannot be held responsible for typographical or printing errors. Information and specifications are subject to change without notice. Please confirm at time of order.