



Profit from the Eagle Advantage®

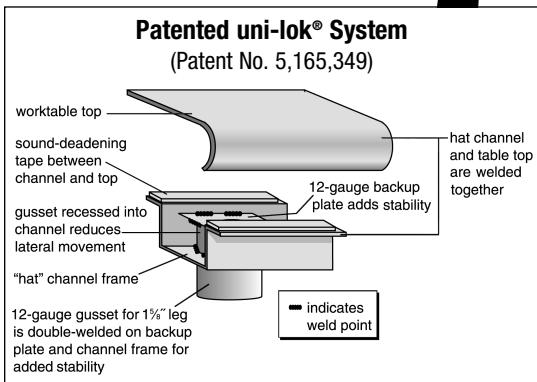
# Specification Sheet

## Short Form Specifications

Eagle worktables, Deluxe series, model \_\_\_\_\_.  
 Top constructed of 16 gauge 300 series stainless steel with 1½" roll on front and rear, and sides turned down 90°. Undershef is adjustable and constructed of heavy gauge galvanized. Top reinforced with welded hat channels, and sound deadened. Constructed with uni-lok® patented gusset system with the gussets recessed into the hat channels to reduce lateral movement. Legs are 1½" O.D. galvanized tubing with galvanized gussets, and 1" hi-impact plastic bullet feet.



worktable with flat top and undershef



Item No.: \_\_\_\_\_  
 Project No.: \_\_\_\_\_  
 S.I.S. No.: \_\_\_\_\_

## Worktables with Flat Top and Galvanized Base with Adjustable Undershef—Deluxe Series

### MODELS:

- |                                  |                                   |                                   |                                   |
|----------------------------------|-----------------------------------|-----------------------------------|-----------------------------------|
| <input type="checkbox"/> T2424EB | <input type="checkbox"/> T24108EB | <input type="checkbox"/> T3072EB  | <input type="checkbox"/> T3660EB  |
| <input type="checkbox"/> T2430EB | <input type="checkbox"/> T24120EB | <input type="checkbox"/> T3084EB  | <input type="checkbox"/> T3672EB  |
| <input type="checkbox"/> T2436EB | <input type="checkbox"/> T24132EB | <input type="checkbox"/> T3096EB  | <input type="checkbox"/> T3684EB  |
| <input type="checkbox"/> T2448EB | <input type="checkbox"/> T24144EB | <input type="checkbox"/> T30108EB | <input type="checkbox"/> T3696EB  |
| <input type="checkbox"/> T2460EB | <input type="checkbox"/> T3030EB  | <input type="checkbox"/> T30120EB | <input type="checkbox"/> T36108EB |
| <input type="checkbox"/> T2472EB | <input type="checkbox"/> T3036EB  | <input type="checkbox"/> T30132EB | <input type="checkbox"/> T36120EB |
| <input type="checkbox"/> T2484EB | <input type="checkbox"/> T3048EB  | <input type="checkbox"/> T30144EB | <input type="checkbox"/> T36132EB |
| <input type="checkbox"/> T2496EB | <input type="checkbox"/> T3060EB  | <input type="checkbox"/> T3648EB  | <input type="checkbox"/> T36144EB |

### Tabletop

- Patented uni-lok® gusset system (patent #5,165,349): gussets are recessed into hat channel, reducing lateral movement.
- Top reinforced with welded-on hat channel.
- Sound-deadened between top and channels.
- 1½" (38mm)-diameter 180° rolled edges on front and rear. Ends are turned down 90° providing for flush installations when required.
- 16 gauge 300 series polished stainless steel.

### Adjustable Undershef

- Heavy gauge, galvanized.
- Gusset welded to each corner.

### Legs—1½" (41mm)-diameter

- Tables 96" (2438mm) and longer come with six legs or more.
- Heavy gauge galvanized steel.
- 1" (25mm) adjustable hi-impact plastic feet.

### Options / Accessories

- |  |  |
|--|--|
| <input type="checkbox"/> Drawer                      | <input type="checkbox"/> Duplex receptacles                            |
| <input type="checkbox"/> Lock                        | <input type="checkbox"/> Pot rack                                      |
| <input type="checkbox"/> Casters                     | <input type="checkbox"/> Sink  |
| <input type="checkbox"/> Stainless steel bullet feet | <input type="checkbox"/> Additional undershef                          |
| <input type="checkbox"/> Overshelves                 | <input type="checkbox"/> Stabilizer Bar (for 30"- and 36"-wide tables) |

**EAGLE GROUP**  
 100 Industrial Boulevard, Clayton, DE 19938-8903 USA  
 Phone: 302-653-3000 • 800-441-8440 • Fax: 302-653-2065  
[www.eaglegrp.com](http://www.eaglegrp.com)  
[www.eaglemhc.com](http://www.eaglemhc.com)



For custom configuration or fabrication needs, contact our **SpecFAB® Division**.  
 Phone: 302-653-3000 • Fax: 302-653-2065 • e-mail: [quotes@eaglegrp.com](mailto:quotes@eaglegrp.com)

EG10.40B Rev. 08/24

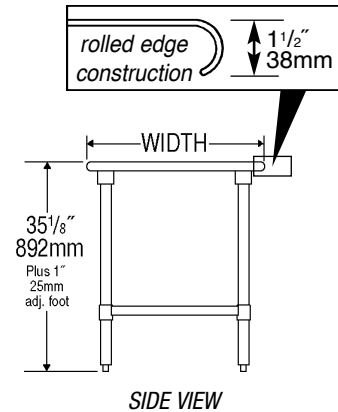
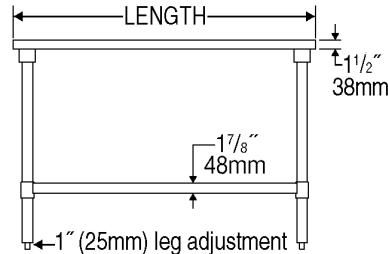
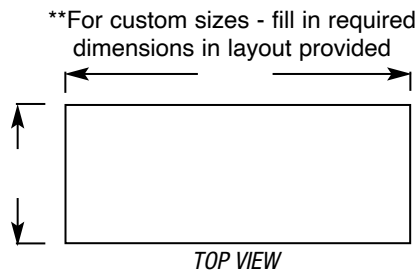
**Spec sheets available for viewing, printing or downloading from our online literature library at our websites**



Profit from the Eagle Advantage®

 Item No.: \_\_\_\_\_  
 Project No.: \_\_\_\_\_  
 S.I.S. No.: \_\_\_\_\_

## Worktables with Flat Top and Galvanized Base with Adjustable Undershelf—Deluxe Series



model #	# of legs	width		length		weight	
		in.	mm	in.	mm	lbs.	kg
T2424EB	4	24"	610	24"	610	44	20.0
T2430EB	4	24"	610	30"	762	51	23.1
T2436EB	4	24"	610	36"	914	53	24.0
T2448EB	4	24"	610	48"	1219	67	30.4
T2460EB	4	24"	610	60"	1524	79	35.8
T2472EB	4	24"	610	72"	1829	94	42.6
T2484EB	4	24"	610	84"	2134	130	59.0
T2496EB	6	24"	610	96"	2438	157	71.2
T24108EB	6	24"	610	108"	2743	162	73.5
T24120EB	6	24"	610	120"	3048	165	74.8
T24132EB	8	24"	610	132"	3353	177	80.3
T24144EB	8	24"	610	144"	3658	234	106.6
T3030EB	4	30"	762	30"	762	55	25.0
T3036EB	4	30"	762	36"	914	62	28.1
T3048EB	4	30"	762	48"	1219	77	34.9
T3060EB	4	30"	762	60"	1524	87	39.5
T3072EB	4	30"	762	72"	1829	105	47.6
T3084EB	4	30"	762	84"	2134	132	59.9
T3096EB	6	30"	762	96"	2438	169	76.7
T30108EB	6	30"	762	108"	2743	205	93.0
T30120EB	6	30"	762	120"	3048	215	97.5
T30132EB	8	30"	762	132"	3353	225	102.1
T30144EB	8	30"	762	144"	3658	239	108.4
T3648EB	4	36"	914	48"	1219	84	38.1
T3660EB	4	36"	914	60"	1524	99	44.9
T3672EB	4	36"	914	72"	1829	114	51.7
T3684EB	4	36"	914	84"	2134	183	83.0
T3696EB	6	36"	914	96"	2438	203	92.1
T36108EB	6	36"	914	108"	2743	210	95.3
T36120EB	6	36"	914	120"	3048	217	98.4
T36132EB	8	36"	914	132"	3353	234	106.1
T36144EB	8	36"	914	144"	3658	241	109.3

### EAGLE GROUP

100 Industrial Boulevard, Clayton, DE 19938-8903 USA

Phone: 302-653-3000 or 800-441-8440 • Fax: 302-653-2065

www.eaglegrp.com • www.eaglemhc.com

Printed in U.S.A.  
©2024 by Eagle Group

Rev. 08/24

Spec sheets available for viewing, printing or downloading from our online literature library at our websites

Although every attempt has been made to ensure the accuracy of the information provided, we cannot be held responsible for typographical or printing errors. Information and specifications are subject to change without notice. Please confirm at time of order.