



Profit from the Eagle Advantage®

# Specification Sheet

## Short Form Specifications

Eagle Mobile Computer (Chrome / Stainless Steel) Workstation, model \_\_\_\_\_. Constructed of (chrome / stainless steel) wire shelves with patented Quadtruss® design. Furnished with keyboard drawer, 12"-wide cantilever shelf, wire undershelf, and wire worktop. (Chrome / stainless steel) tubular posts mounted on 5" swivel casters (two with brake).



mobile computer workstation shown with optional mouse shelf

## Options / Accessories

- Mouse shelf
- 2 3/8" swivel decorative casters
- 4" swivel decorative casters
- Channel frame for rigid casters
- Aluminum split sleeves
- Anti-static drag chain
- Plastic shelf markers (3"-19" long)

## EAGLE GROUP

100 Industrial Boulevard, Clayton, DE 19938-8903 USA  
 Phone: 302-653-3000 • 800-441-8440 • Fax: 302-653-2065  
[www.eaglegrp.com](http://www.eaglegrp.com)  
[www.eaglegrpnews.com](http://www.eaglegrpnews.com)  
[www.eaglemhc.com](http://www.eaglemhc.com)

For custom configuration or fabrication needs, contact our **SpecFAB® Division**.  
 Phone: 302-653-3000 • Fax: 302-653-2065 • e-mail: [quotes@eaglegrp.com](mailto:quotes@eaglegrp.com)

Item No.: \_\_\_\_\_  
 Project No.: \_\_\_\_\_  
 S.I.S. No.: \_\_\_\_\_

# Mobile Computer Workstations

## MODELS:

- MCWS2424C       MCWS2424S       MS-C
- MCWS2424C-P       MCWS2424S-P
- MCWS3030C       MCWS3030S
- MCWS3030C-P       MCWS3030S-P

## Design and Construction Features

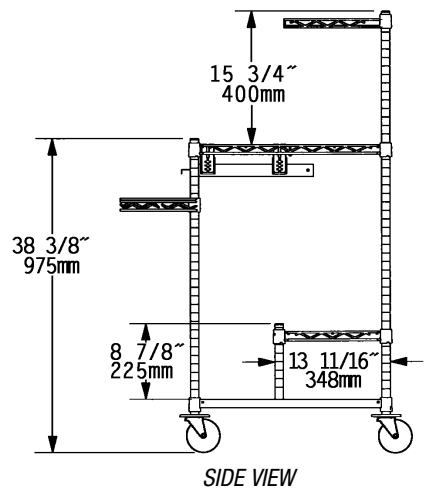
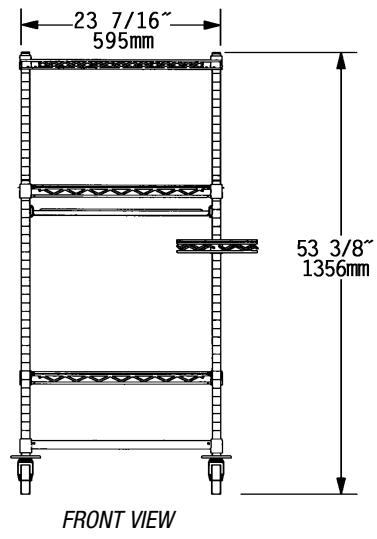
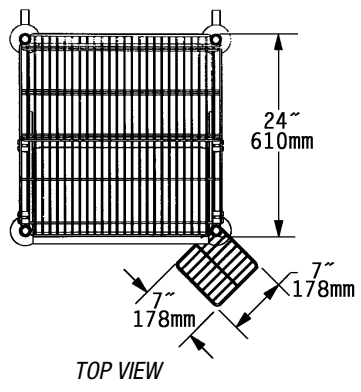
- Features include the following:
  - Two 48" (1219mm) rear posts;
  - Two 33" (838mm) front posts;
  - 5"-diameter swivel casters with resilient or polyurethane tread, two with brake.
  - One 12" (305mm)-wide wire cantilever shelf;
  - One full-length wire undershelf;
  - One wire tabletop;
  - One keyboard drawer;
  - One 3-sided frame.
- All wire shelves feature patented QuadTruss® design (patent #5,390,803).
- 38 3/8" (975mm) working height.
- 53 3/8" (1356mm) overall height.
- Available in chrome or stainless steel.
- Shipped knocked-down.





Item No.: \_\_\_\_\_  
 Project No.: \_\_\_\_\_  
 S.I.S. No.: \_\_\_\_\_

# Mobile Computer Workstations

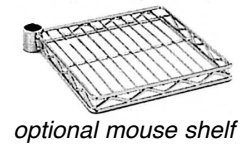


(note: #MCWS2424C shown)

w/Resilient-Tread Casters		w/Polyurethane-Tread Casters		tabletop		undershelf		weight	
chrome model #	stainless steel model #	chrome model #	stainless steel model #	width in.	length in.	width in.	length in.	lbs.	kg
MCWS2424C	MCWS2424S	MCWS2424C-P	MCWS2424S-P	24"	610	24"	610	40	18.1
MCWS3030C	MCWS3030S	MCWS3030C-P	MCWS3030S-P	30"	762	30"	762	56	25.4

## Optional Mouse Shelf

model #	width		length		weight	
	in.	mm	in.	mm	lbs.	kg
MS-C	7"	178	7"	178	2.0	0.9



**EAGLE GROUP**  
 100 Industrial Boulevard, Clayton, DE 19938-8903 USA  
 Phone: 302-653-3000 or 800-441-8440 • Fax: 302-653-2065  
 www.eaglegrp.com • www.eaglegrpnews.com • www.eaglehmc.com

Printed in U.S.A.  
 ©2023 by Eagle Group  
 Rev. 10/23

Spec sheets available for viewing, printing or downloading from our online literature library at our websites

Although every attempt has been made to ensure the accuracy of the information provided, we cannot be held responsible for typographical or printing errors. Information and specifications are subject to change without notice. Please confirm at time of order.