



Profit from the Eagle Advantage®

Foodservice Division: (800) 441-8440

MHC/Retail Display Divisions: (800) 637-5100

FAX: (302) 653-2065

Product Announcement

Short Form Specifications

Eagle Cool Trough™, model _____. Features subway-style grating. Unit constructed of 14/304 stainless steel all-welded construction. Built-in pitch towards a 4" drain with removable perforated basket. Integral mechanical temperature sensor maintains water temperature of 140°F or less.

Item #:	_____
Model #:	_____
Project #:	_____
SIS #:	_____

Rev. 09/14

Design & Construction Features

- Built-in pitch towards drain ensures complete drainage.
- Lift-out grating available in anti-slip gray fiberglass or stainless steel.
- 4" (76mm) diameter drain with removable basket style strainer.
- No electrical connection required.
- Shutoff valve provided accepts 1" water line *.
- Backflow preventer.
- Stainless steel anchor clip.
- 14 gauge stainless steel access compartment.
- Troughs available in widths ranging from 12" to 24" (305 to 610mm).
- 18" to 120" (457 to 3048mm) lengths available.
- Anti-splash troughs available.

* Water line and connection provided by plumbing contractor.

For custom configuration or fabrication needs, contact our **SpecFAB® Division**.

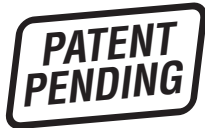
Phone: (302) 653-3000. FAX: (302) 653-2065.

E-mail: quotes@eaglegrp.com



Cool Trough™

Water Tempering Systems



model #WTFT-1215-FGG

Section 701.7 of the International Plumbing Code mandates that water entering a drainage system cannot exceed 140°F, which could cause problems with PVC pipes and other safety and environmental issues. The Cool Trough™ is designed to activate the temperature sensor at 130°F and turn off the mixing valve at 120°F, thus using water only when required.

Many facilities which utilize equipment such as boilers, humidifiers, sterilizers, and commercial equipment typically produce drain water over 140°F. The water must be cooled, or "tempered," before entering drain lines. The operation of the Cool Trough™ requires no additional steps for the operator. It only generates economic rewards by extending the life of the drainage system.

Also, because the valve is mechanically actuated, there is no need for electrical connection, which means there is no chance of an electrical component failure.

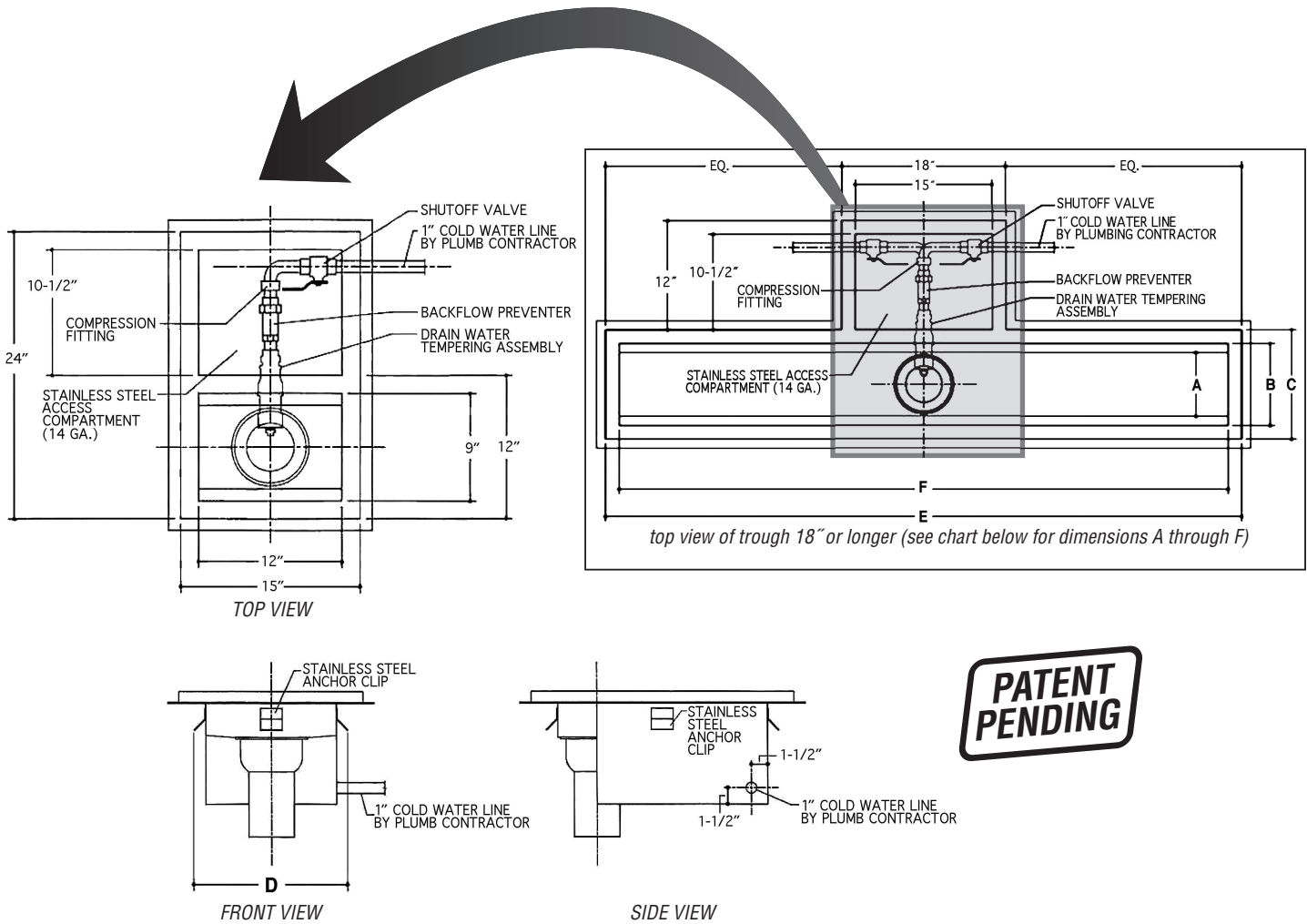
Hook a cold water line to the shutoff valve provided, and protection for your drain lines is ensured.

For utilization in (but not limited to):

- Food Production
- Manufacturing Facilities
- Processing
- Commercial Kitchens



Cool Trough™



dimension E		dimension F		12" (305mm)-WIDE TROUGHS		15" (381mm)-WIDE TROUGHS		18" (457mm)-WIDE TROUGHS		24" (610mm)-WIDE TROUGHS	
in.	mm	in.	mm	WITH GRAY FIBERGLASS GRATING model #	WITH STAINLESS STEEL GRATING model #	WITH GRAY FIBERGLASS GRATING model #	WITH STAINLESS STEEL GRATING model #	WITH GRAY FIBERGLASS GRATING model #	WITH STAINLESS STEEL GRATING model #	WITH GRAY FIBERGLASS GRATING model #	WITH STAINLESS STEEL GRATING model #
15"	381	12"	305	WTFT-1215-FGG	WTFT-1215-SG	n/a	n/a	n/a	n/a	n/a	n/a
18"	457	15"	381	WTFT-1218-FGG	WTFT-1218-SG	WTFT-1518-FGG	WTFT-1518-SG	n/a	n/a	n/a	n/a
24"	610	21"	533	WTFT-1224-FGG	WTFT-1224-SG	WTFT-1524-FGG	WTFT-1524-SG	WTFT-1824-FGG	WTFT-1824-SG	WTFT-2424-FGG	WTFT-2424-SG
30"	762	27"	686	WTFT-1230-FGG	WTFT-1230-SG	WTFT-1530-FGG	WTFT-1530-SG	WTFT-1830-FGG	WTFT-1830-SG	WTFT-2430-FGG	WTFT-2430-SG
36"	914	33"	838	WTFT-1236-FGG	WTFT-1236-SG	WTFT-1536-FGG	WTFT-1536-SG	WTFT-1836-FGG	WTFT-1836-SG	WTFT-2436-FGG	WTFT-2436-SG
48"	1219	45"	1143	WTFT-1248-FGG	WTFT-1248-SG	WTFT-1548-FGG	WTFT-1548-SG	WTFT-1848-FGG	WTFT-1848-SG	WTFT-2448-FGG	WTFT-2448-SG
60"	1524	57"	1448	WTFT-1260-FGG	WTFT-1260-SG	WTFT-1560-FGG	WTFT-1560-SG	WTFT-1860-FGG	WTFT-1860-SG	WTFT-2460-FGG	WTFT-2460-SG
72"	1829	69"	1753	WTFT-1272-FGG	WTFT-1272-SG	WTFT-1572-FGG	WTFT-1572-SG	WTFT-1872-FGG	WTFT-1872-SG	WTFT-2472-FGG	WTFT-2472-SG
84"	2134	81"	2057	WTFT-1284-FGG	WTFT-1284-SG	WTFT-1584-FGG	WTFT-1584-SG	WTFT-1884-FGG	WTFT-1884-SG	WTFT-2484-FGG	WTFT-2484-SG
96"	2438	93"	2362	WTFT-1296-FGG	WTFT-1296-SG	WTFT-1596-FGG	WTFT-1596-SG	WTFT-1896-FGG	WTFT-1896-SG	WTFT-2496-FGG	WTFT-2496-SG
120"	3048	117"	2972	WTFT-12120-FGG	WTFT-12120-SG	WTFT-15120-FGG	WTFT-15120-SG	WTFT-18120-FGG	WTFT-18120-SG	WTFT-24120-FGG	WTFT-24120-SG