

NEW **HFL-5000 Touch Free Handwashing Systems**

Item #: _____
 Model #: _____
 Project #: _____
 SIS #: _____

Short Form Specifications

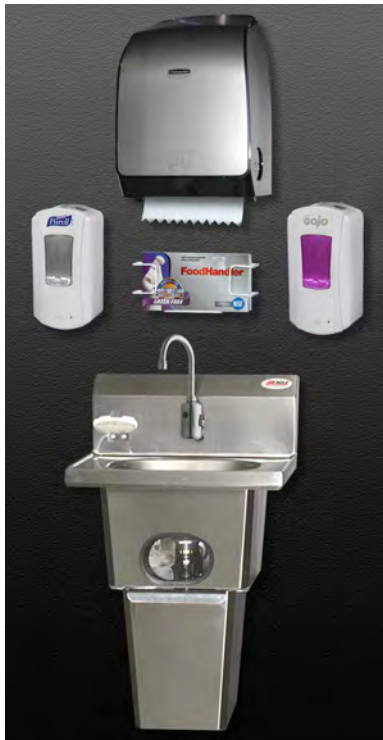
Eagle Handwashing System, model HFL-5000. Constructed of type 304 stainless steel with deep-drawn positive drain sink bowl, basket drain, inverted "V" edge to prevent spillage, removable stainless steel trash container, and MICROGARD® antimicrobial protection. Chicago electronic-eye faucet with Self Sustaining Power System, automated touchless paper towel dispenser, hands-free hand sanitizer dispenser, hands-free soap dispenser, glove rack and white bristle nail brush.



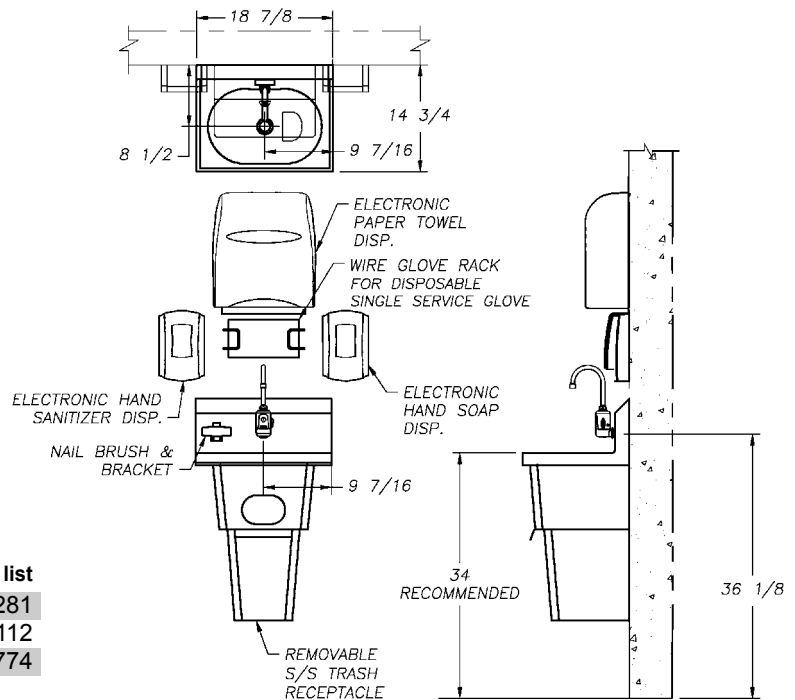
HFL-5000 Components:

- **Eagle** hand sink model #HSA-10-FE-B-T-NB-MG with MICROGARD® antimicrobial protection.
- **Kimberly-Clark** touchless towel dispenser. Eagle part #384796. Use Kleenex #25639, Scott #25703 or Scott #43960 towel roll.
- **Chicago** HyTronic splash-mount gooseneck faucet, with dual-beam infrared sensor. Self Sustaining Power System creates the power needed, even with low flow outlets. Eagle part #384969.
- **Purell/LTX** hand sanitizing dispenser. Eagle part #377455.
- **Gojo/LTX** hand soap dispenser. Eagle part #377456.
- **FoodHandler** glove rack with single service gloves. Model #11-0012. Eagle part #352855.
- **Tucel** soft bristle white nail brush. Model #1832. Eagle part #348602.

NOTE: Model HFL-5000 by EAGLE is listed under Kochman AutoCAD symbol library for foodservice equipment.



#HFL-5000 with towel dispenser, soap dispenser, hand sanitizer dispenser and glove box holder



description of hand sink included	model #	list
with waste receptacle	HFL-5000	4281
with skirt (no waste receptacle)	HFL-5000-S	4112
with waste receptacle and end splashes	HFL-5000-LRS	4774

Spec sheets available for viewing, printing or downloading from our online literature library at www.eaglegrp.com