

Foodservice Equipment • Material Handling, Healthcare & Cleanroom Equipment • Retail Display

# Hot Water Heater

for Hand Sinks



Features access door with lock!

hand sink with hot water heater\*

To order hot water heater, add suffix “-WH” to model number.  
Example: HSA-10-FDPEE-**WH** (shown above)

Item #:	_____
Model #:	_____
Project #:	_____
SIS #:	_____

Optional Accessories	Model #	Qty.

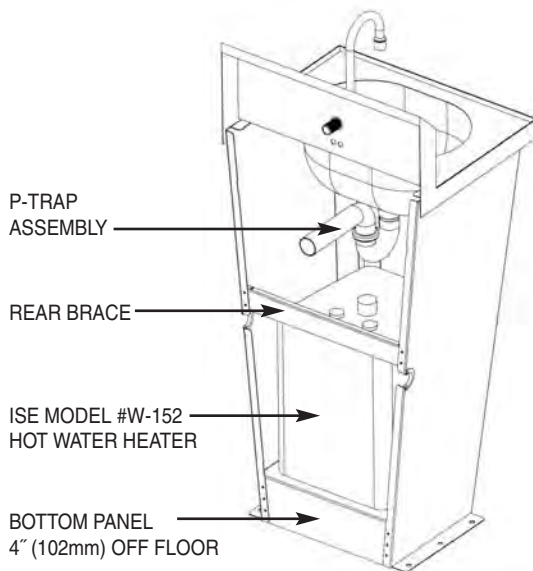
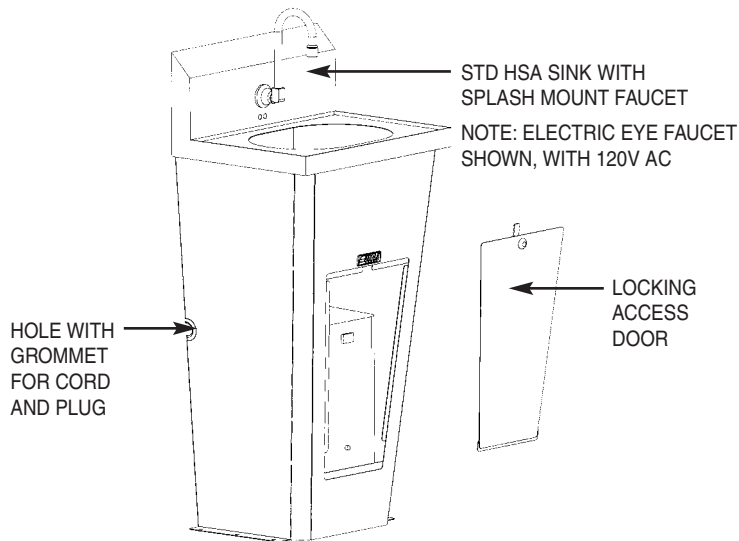


- Self-contained hot water heater for instant hot water. No waiting for water to warm up.
- Fits models HSA-10, HSA-10-F, HSA-10-FA, HSA-10-FDP, HSA-10-FE, HSA-10-FDPE, HSA-10-FDPEE, HSA-10-FW, and HSAD-10-F.
- Type 304 all stainless steel construction cabinet.
- Access door with lock to the water heater from the front of the sink.
- UL-listed hot water heater features insulated tank with a capacity of 2 ½ U.S. gallons (9½ liters).
- Drain provided for easy maintenance.
- Adjustable temperature range of 110° to 170°F. Preset at 120° F.
- Operates on 110-120V current.
- Positive drainage bowl design.

\*Note: Handsinks are not UL-listed. Only the hot water heater is UL-listed.

Spec sheets available for viewing, printing or downloading from our online literature library at [www.eaglegrp.com](http://www.eaglegrp.com)

## Hot Water Heater for Hand Sinks



To order, add suffix **"-WH"** hand sink to model number.  
 Example: HSA-10-FDP-**WH**

**for models:**

HSA-10; HSA-10-F; HSA-10-FA; HSA-10-FDP;  
 HSA-10-FE; HSA-10-FDPE; HSA-10-FDPEE;  
 HSA-10-FW; and HSAD-10-F.

**model #**

add suffix  
**"-WH"**

### Pedestal Base

- All type 304 18-8 stainless steel construction
- Features cord hole with grommet for ease of installation of the water heater
- Features access door with lock to the water heater from the front of the sink

### Water Heater

- IN-SINK-ERATOR (ISE) brand Point of Use water heater, Model #W-152.
- Screw-in copper heating element can be easily replaced.
- Tank is insulated with expanded polystyrene, then jacketed in steel for maximum heat retention, minimum stand-by heat loss.
- Drain provided for easy maintenance.
- Adjustable temperature range of 110° to 170°F. Preset at 120°F.
- Operates on 110-120V current.
- Electricity: 120 volts (AC), 12.5 amps, and 1500 watts.
- Complete with 3½" (1067mm) cord and grounded plug.
- Tank capacity: 2½" U.S. gallons (9½" liters).
- Water connections: ½" (13mm) NPT female.
- Pressure relief connection: ¾" (19mm) NPT female.
- UL-listed water heater (hand sinks are not UL-listed).

Note: A mixing valve is supplied and must be used to temper water temperature when hot water temperature is set above 120°F. Low or high usage will determine if cold or hot water is supplied to water heater.