

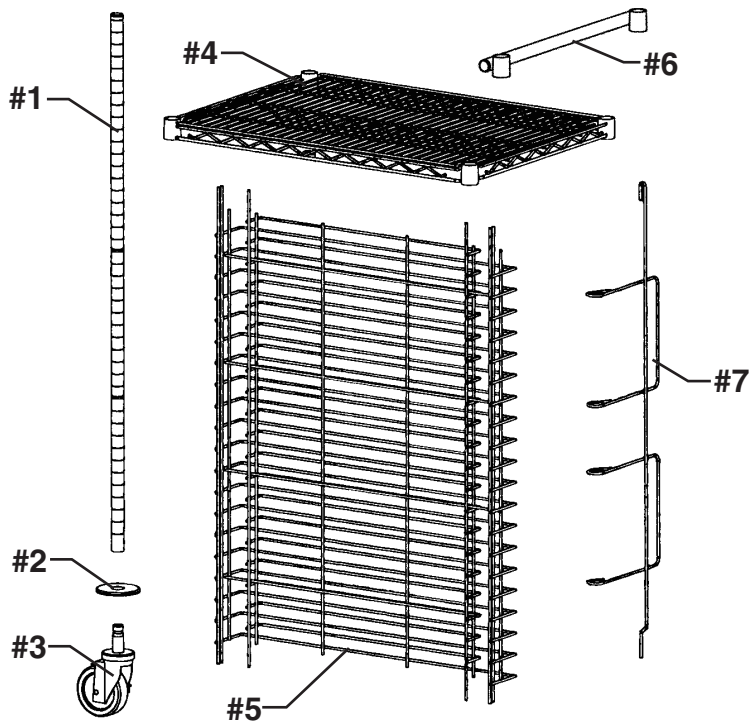
# Electronic Vibration Dampening Tray Carts

## ASSEMBLY INSTRUCTIONS

### CAUTION

INSPECT CONTENTS IMMEDIATELY AND FILE CLAIM WITH DELIVERING CARRIER FOR ANY DAMAGE.  
**SAVE YOUR BOX AND ALL PACKING MATERIALS.**  
 YOU ARE RESPONSIBLE FOR DAMAGE TO YOUR UNIT IF RETURNED IMPROPERLY PACKED.

### Parts List

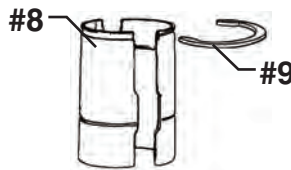


Item #	qty	part #	description
1	4	*	post
2	4	A200019	donut bumper
3	2	A213367	swivel caster
4	2	B200728	wire shelf
5	2	*	tray slide rack
6	2	PH21-C	push handle (for half-size units only)
7	2	*	tray stop
8	**	A208909	aluminum split sleeve
9	**	A200021	retaining ring

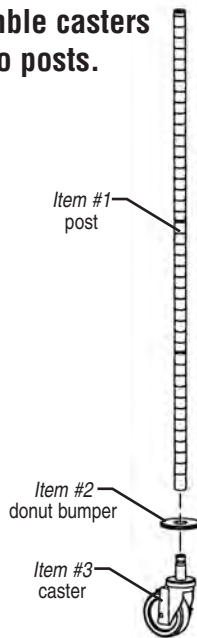
**NOT SHOWN**

2	A213368	swivel caster w/brake
1	DC16-S	drag chain
22/24	A215454	vinyl caps

\* Part numbers vary, depending on unit(s) ordered.  
 \*\* Quantity varies, depending on unit(s) ordered.



### Step 1 - Assemble casters and bumpers to posts.



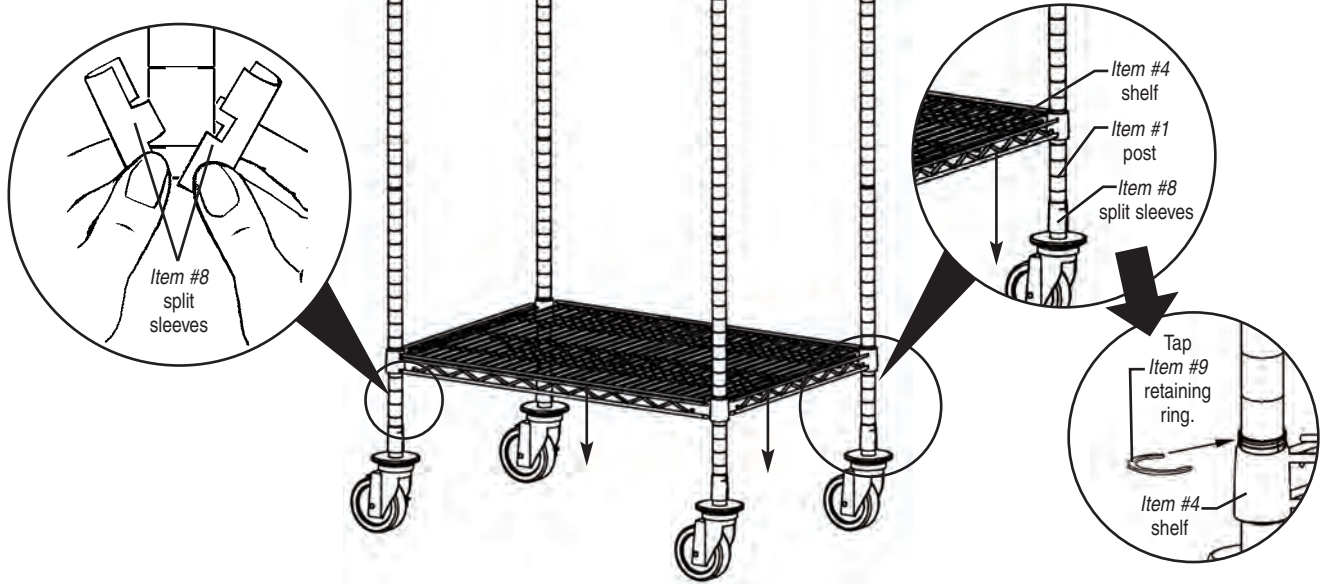
**(continued on page 2)**

# Electronic Vibration Dampening Tray Carts

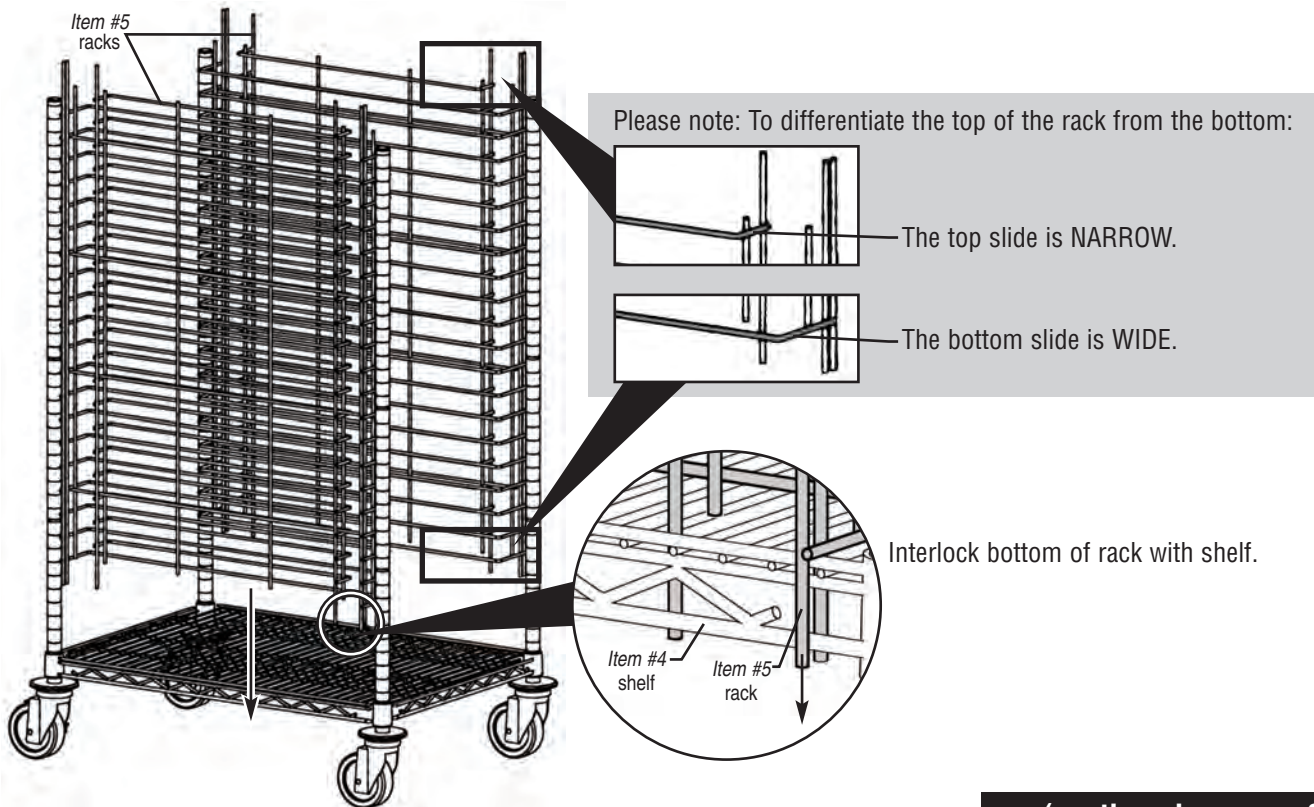
## ASSEMBLY INSTRUCTIONS

### Step 2 - Assemble bottom shelf to posts.

Snap split sleeve onto each post at the bottommost groove (the wider part of the taper goes toward the bottom).



### Step 3 - Assemble tray slide racks to bottom shelf.



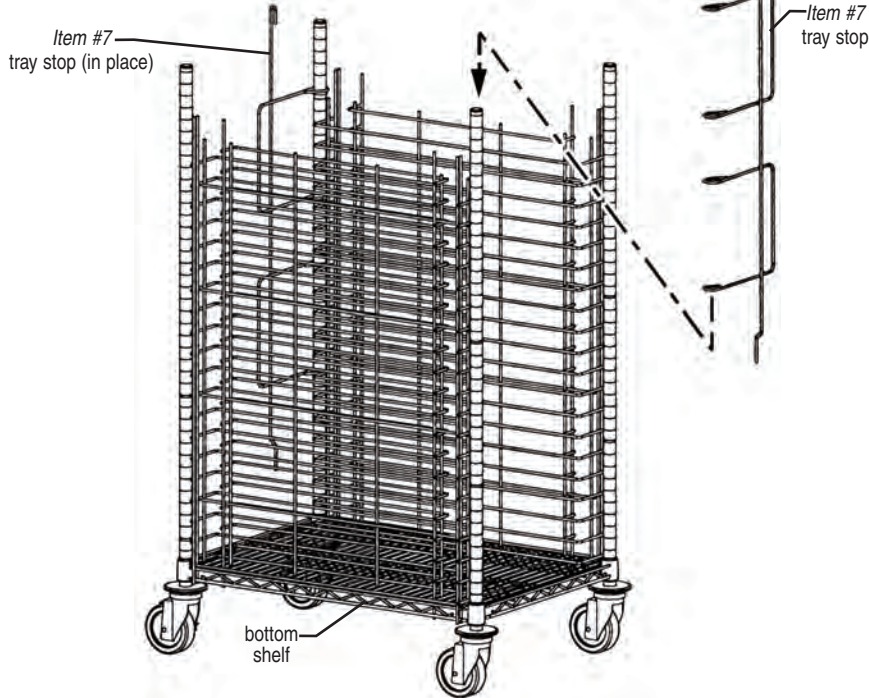
(continued on page 3) 

# Electronic Vibration Dampening Tray Carts

## ASSEMBLY INSTRUCTIONS

### Step 4 - Assemble tray stops to unit.

Slide down until tray stop rests on bottom shelf.



**For the next step, please note:**

May require the assistance of a second person.

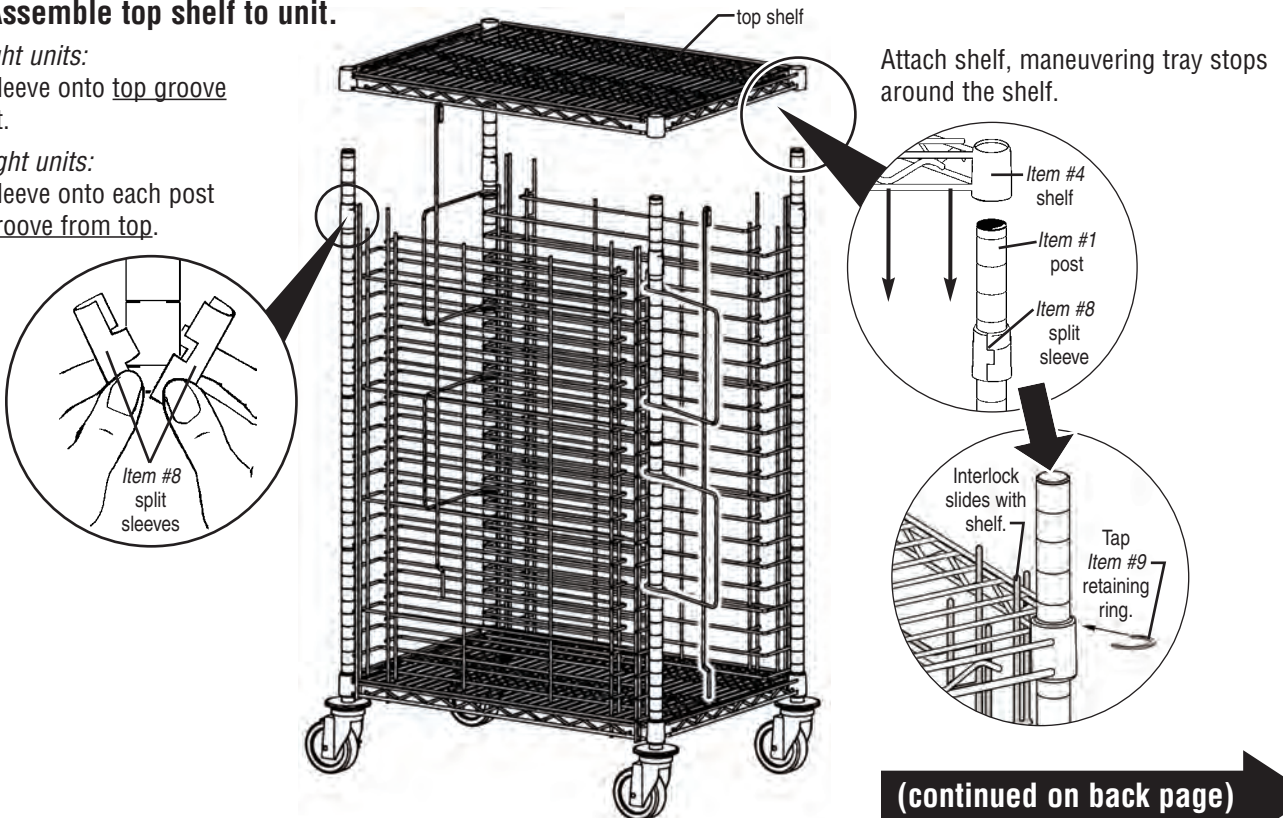
### Step 5 - Assemble top shelf to unit.

*For full-height units:*

Snap split sleeve onto top groove of each post.

*For half-height units:*

Snap split sleeve onto each post at the 6th groove from top.



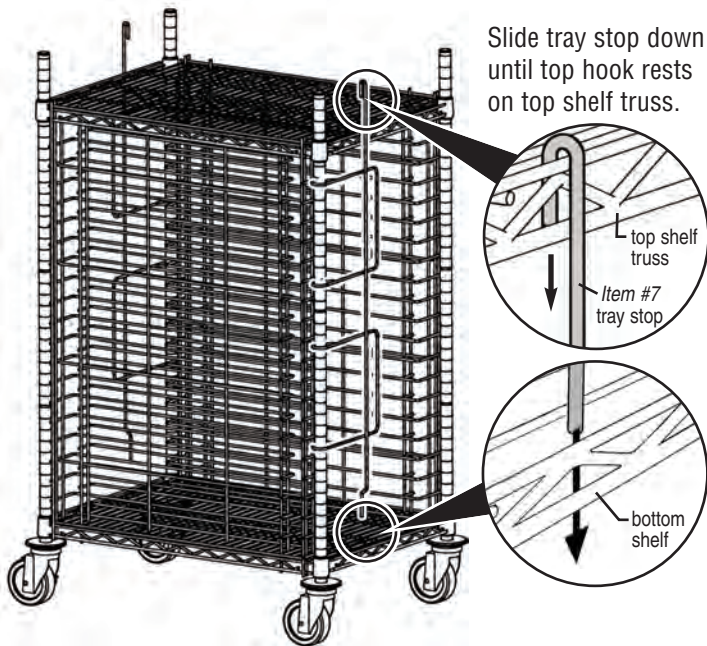
(continued on back page)



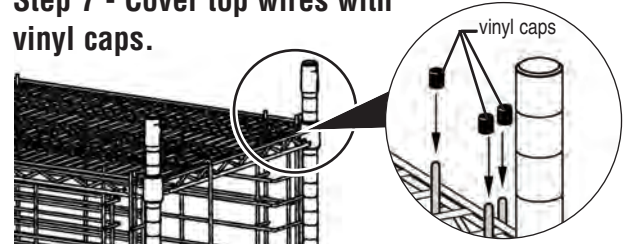
# Electronic Vibration Dampening Tray Carts

## ASSEMBLY INSTRUCTIONS

### Step 6 - Hook tray stops to top shelf.



### Step 7 - Cover top wires with vinyl caps.

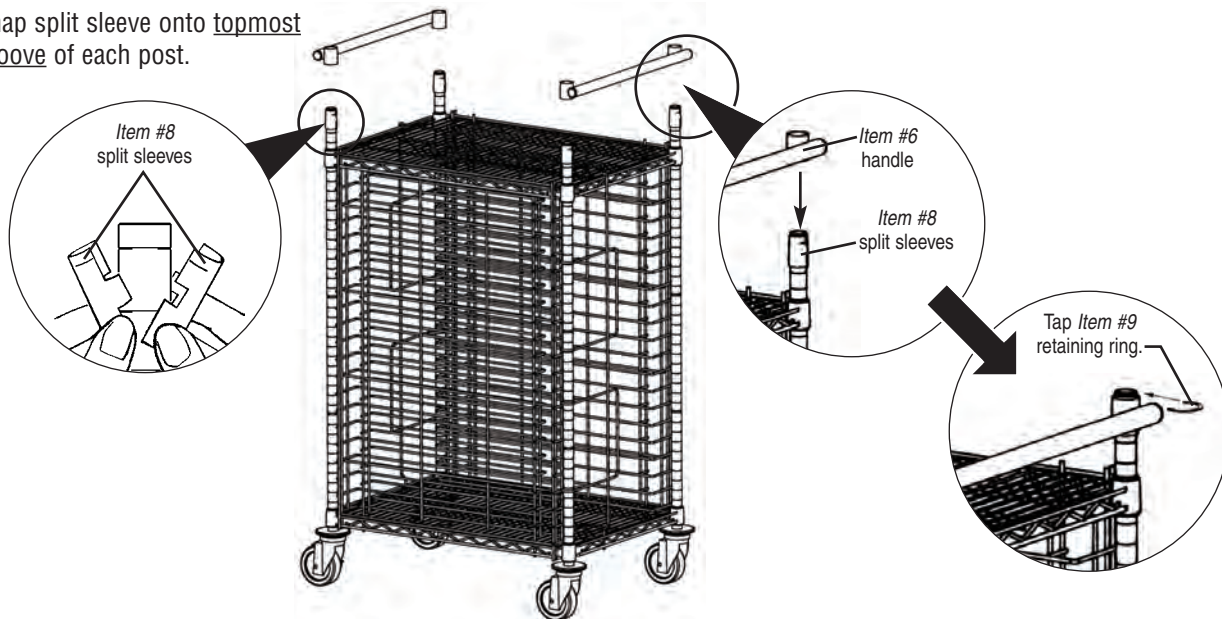


To finish assembly, attach drag chain to underside of bottom shelf—typically near center of shelf.

### For half-height units only:

#### Assemble handles to unit.

Snap split sleeve onto topmost groove of each post.



(End)