

Cantilevered Shelving

Mounting to Galvanized or Aluminum Sheet Metal

INSTALLATION INSTRUCTIONS

(For mounting to Stainless Steel Sheet Metal, see page 3)

CAUTION

INSPECT CONTENTS IMMEDIATELY AND FILE CLAIM WITH DELIVERING CARRIER FOR ANY DAMAGE.
SAVE YOUR BOX AND ALL PACKING MATERIALS.
 YOU ARE RESPONSIBLE FOR DAMAGE TO YOUR UNIT IF RETURNED IMPROPERLY PACKED.

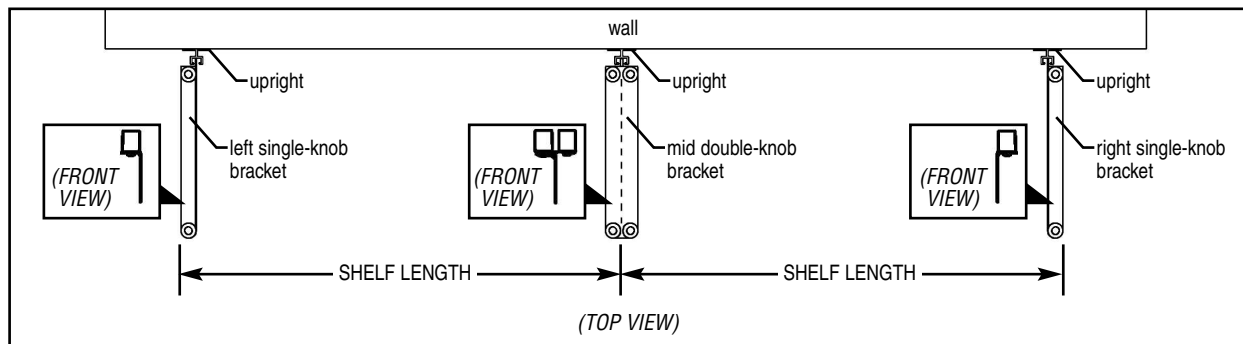
Tools required for installation:

- laser level
- awl (ice pick or finely tapered nail set)
- standard Phillips screwdriver (or electric screwdriver with variable torque setting)

Note: If an electric screwdriver is being used, and is torque-adjustable, set it to the lowest torque setting to avoid over-tightening and stripping the screws.

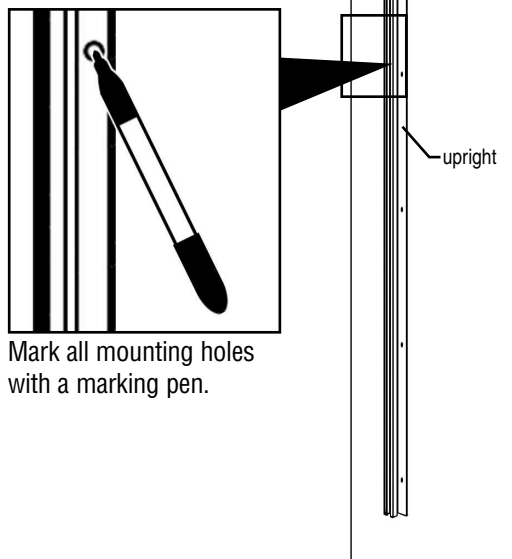
Wall-Mounting Hardware furnished:

- #10 x 1/2" sheet metal screws, zinc-plated



Step 1 - Mark holes for 1st upright.

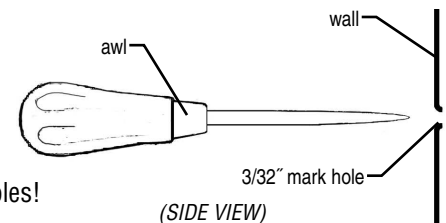
Place upright vertically and plumb against the wall, pushing it up until it touches the ceiling.



Step 2 - Punch holes.

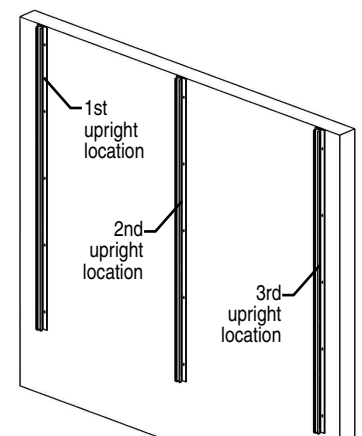
Remove upright and make small punch hole at each mark, no larger than 3/32"-diameter, with the awl.

IMPORTANT: Do not drill mounting holes!



Step 3 - Refer to the illustration above to determine location(s) of remaining upright(s), and repeat Steps 1 and 2.

Note: It might be helpful to temporarily mount bracket onto upright to determine location(s) of remaining upright(s). See illustration above to determine appropriate bracket.



(continued on page 2)

EG9971 Revised 09/08

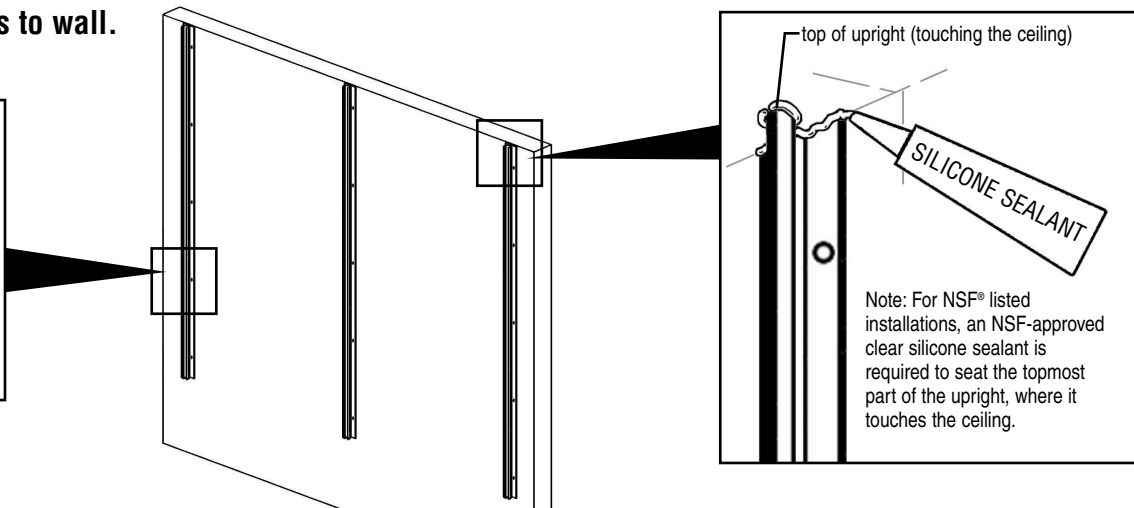
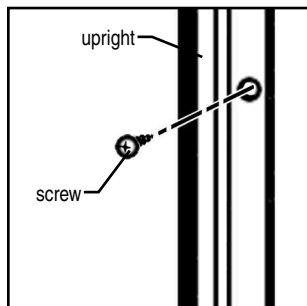
Cantilevered Shelving

Mounting to Galvanized or Aluminum Sheet Metal

INSTALLATION INSTRUCTIONS

Step 4 - Attach uprights to wall.

DO NOT OVER-TIGHTEN.

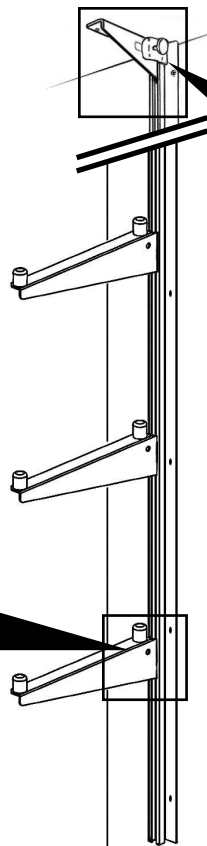
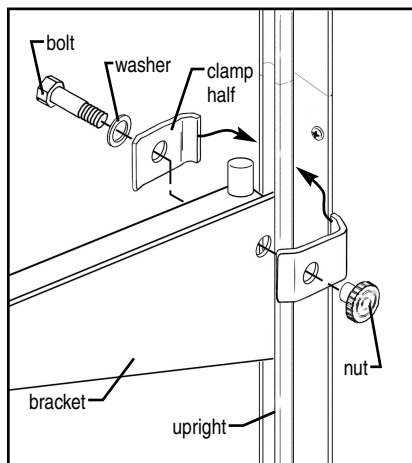


Before permanently installing shelf brackets, please note:

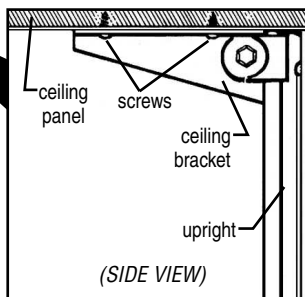
- Single-knob shelf brackets are flanged left or right, and are mounted onto uprights located at each end of a shelving run. To maximize space, mount these brackets so that the flange points away from shelving run (see illustration on front page).
- Double-knob shelf brackets are mounted onto intermediate uprights, if any.
- On uprights adjacent to each other, make sure to mount brackets at the same heights. This will ensure level shelving.

Step 5 - Mount shelf brackets at desired heights to 1st upright.

- Start with end of shelving run (note appropriate flange of bracket).
- Fasten shelf bracket to upright with the two clamp halves, bolt and nut (as shown).
- Repeat for each shelf bracket.



Step 6 - Mount ceiling bracket to 1st upright.



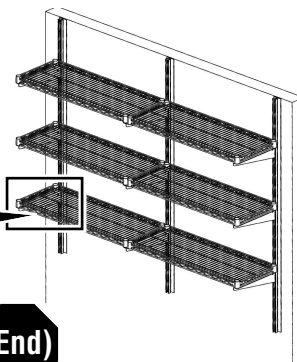
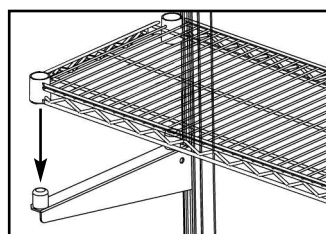
- Use the same hole-punching procedure as in Step 2. Keep the holes very small.
- Fasten the four sheet metal screws through the ceiling bracket and into the ceiling panel (as shown). DO NOT OVER-TIGHTEN.
- Fasten ceiling bracket to the upright with the two clamp halves, bolt and nut (see Step 5 inset).

Step 7 - Repeat Steps 5 and 6 to mount shelf brackets and ceiling bracket onto remaining upright(s).

- Use double-knob brackets for intermediate uprights, if any.
- Use a laser level to mount adjacent brackets at the same height. This will ensure level shelving.

Step 8 - Mount shelving to brackets.

Lower corner collars of shelf onto bracket knobs.



(End)

Cantilevered Shelving

Mounting to Stainless Steel Sheet Metal

INSTALLATION INSTRUCTIONS

(For mounting to Galvanized or Aluminum Sheet Metal, see front page)

CAUTION

INSPECT CONTENTS IMMEDIATELY AND FILE CLAIM WITH DELIVERING CARRIER FOR ANY DAMAGE.

SAVE YOUR BOX AND ALL PACKING MATERIALS.

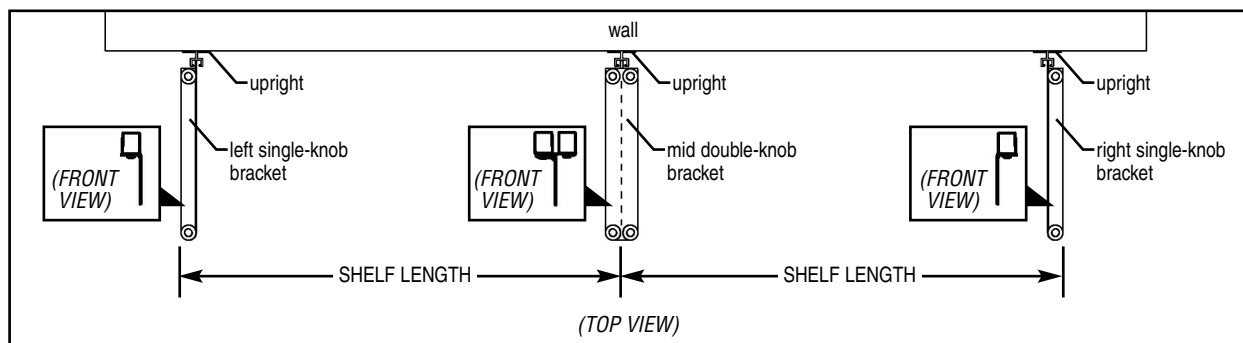
YOU ARE RESPONSIBLE FOR DAMAGE TO YOUR UNIT IF RETURNED IMPROPERLY PACKED.

Tools required for installation:

- laser level
- awl (ice pick, sharp center point, or finely tapered nail set)
- electric drill with 11/64" drill bit
- standard Phillips screwdriver (or electric screwdriver)

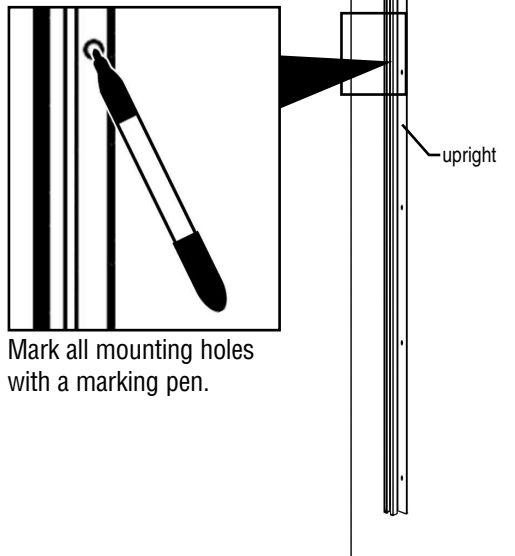
Wall-Mounting Hardware furnished:

- #10 x 1/2" #410 Series stainless steel sheet metal screws



Step 1 - Mark holes for 1st upright.

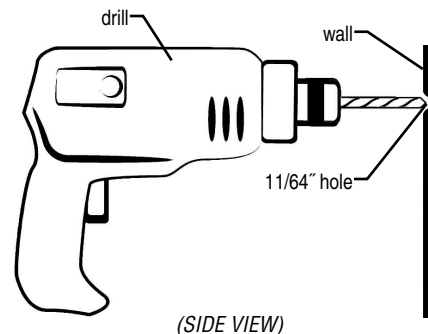
Place upright vertically and plumb against the wall, pushing it up until it touches the ceiling.



Mark all mounting holes with a marking pen.

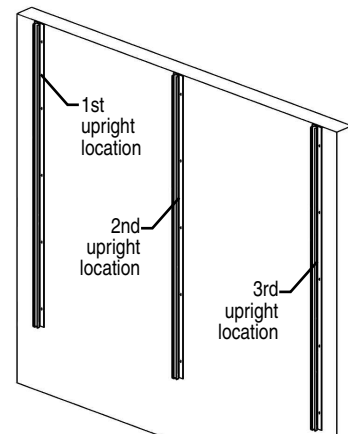
Step 2 - Drill holes.

- Remove upright.
- With awl, center-punch each mark so that the drill bit does not "walk".
- Drill a 11/64" hole at each center-punched mark.



Step 3 - Refer to the illustration above to determine location(s) of remaining upright(s), and repeat Steps 1 and 2.

Note: It might be helpful to temporarily mount bracket onto upright to determine location(s) of remaining upright(s). See illustration above to determine appropriate bracket.



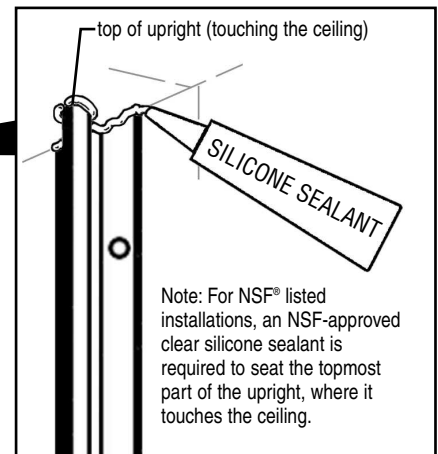
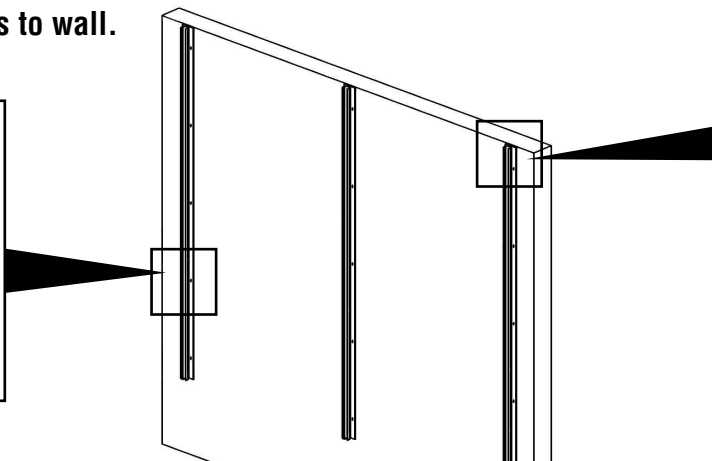
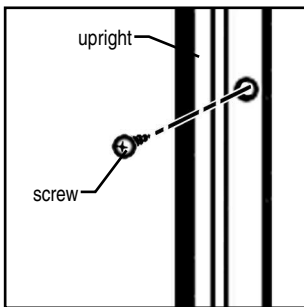
(continued on page 2)

Cantilevered Shelving

Mounting to Stainless Steel Sheet Metal

INSTALLATION INSTRUCTIONS

Step 4 - Attach uprights to wall. DO NOT OVER-TIGHTEN.

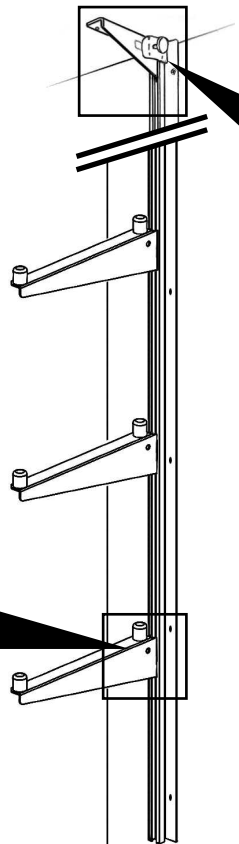
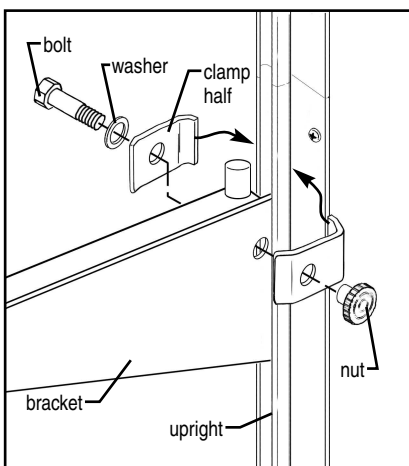


Before permanently installing shelf brackets, please note:

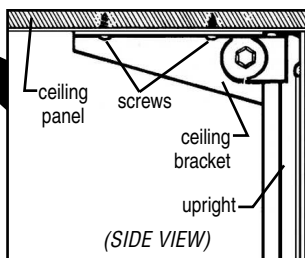
- Single-knob shelf brackets are flanged left or right, and are mounted onto uprights located at each end of a shelving run. To maximize space, mount these brackets so that the flange points away from shelving run (see illustration on page 3).
- Double-knob shelf brackets are mounted onto intermediate uprights, if any.
- On uprights adjacent to each other, make sure to mount brackets at the same heights. This will ensure level shelving.

Step 5 - Mount shelf brackets at desired heights to 1st upright.

- Start with end of shelving run (note appropriate flange of bracket).
- Fasten shelf bracket to upright with the two clamp halves, bolt and nut (as shown).
- Repeat for each shelf bracket.



Step 6 - Mount ceiling bracket to 1st upright.



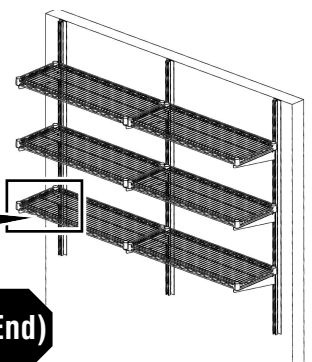
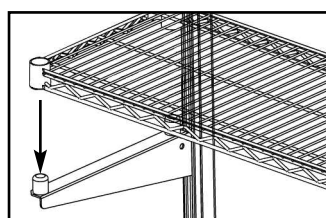
- Use the same procedure as in Step 2.
- Fasten the four sheet metal screws through the ceiling bracket and into the ceiling panel (as shown).
- Fasten ceiling bracket to the upright with the two clamp halves, bolt and nut (see Step 5 inset).

Step 7 - Repeat Steps 5 and 6 to mount shelf brackets and ceiling bracket onto remaining upright(s).

- Use double-knob brackets for intermediate uprights, if any.
- Use a laser level to mount adjacent brackets at the same height. This will ensure level shelving.

Step 8 - Mount shelving to brackets.

Lower corner collars of shelf onto bracket knobs.



(End)