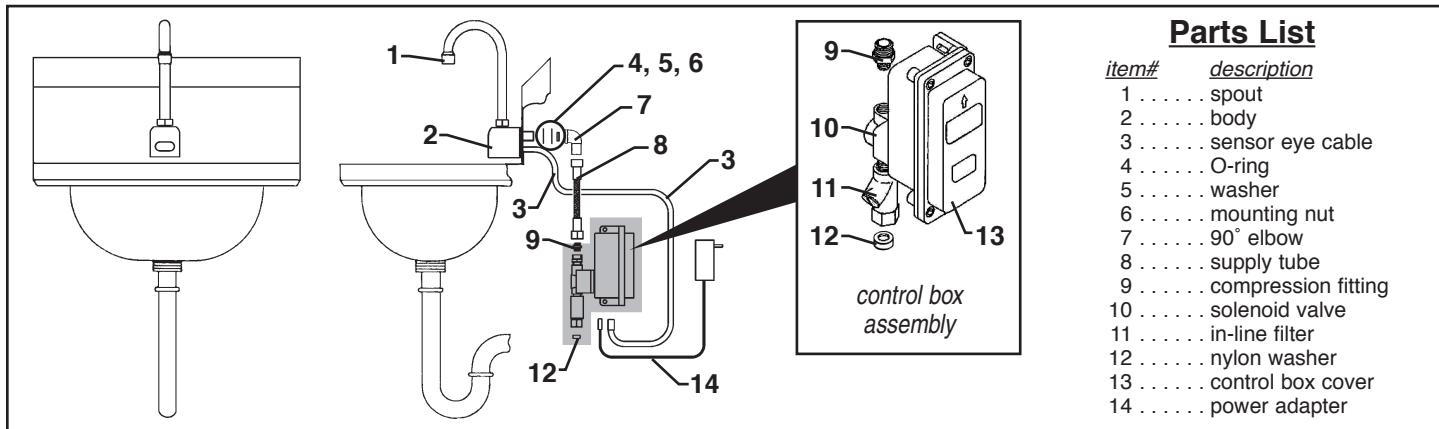


Electronic Hand Sink with AC Adapter

ASSEMBLY INSTRUCTIONS

CAUTION

INSPECT CONTENTS IMMEDIATELY AND FILE CLAIM WITH DELIVERING CARRIER FOR ANY DAMAGE. **SAVE YOUR BOX AND ALL PACKING MATERIALS.** YOU ARE RESPONSIBLE FOR DAMAGE TO YOUR UNIT IF RETURNED IMPROPERLY PACKED.



Parts List

item#	description
1	spout
2	body
3	sensor eye cable
4	O-ring
5	washer
6	mounting nut
7	90° elbow
8	supply tube
9	compression fitting
10	solenoid valve
11	in-line filter
12	nylon washer
13	control box cover
14	power adapter

Step 1 - Mount spout and body to sink.

- Attach spout (Item #1) onto body (Item #2).
- Run sensor eye cable (Item #3) through backsplash of sink.
- Attach and tighten faucet to sink using O-ring, washer, and mounting nut (Items #4, 5, and 6).

Step 2 - Connect elbow and supply tube.

USE OF TEFLON TAPE IS RECOMMENDED. DO NOT USE LIQUID OR PASTE THREAD SEALANT ("PIPE DOPE").

- Attach elbow (Item #7) to threaded stem of body (Item #2). Attach one end of supply tube (Item #8) to elbow.
- Attach compression fitting (item #9) to solenoid valve (item #10).
- Connect remaining end of supply tube (Item #8) to compression fitting.

Step 3 - Connect water supply to in-line filter on control box assembly.

USE OF TEFLON TAPE IS RECOMMENDED. DO NOT USE LIQUID OR PASTE THREAD SEALANT ("PIPE DOPE").

- Seat nylon washer (item #12) inside in-line filter (item #11), and connect 3/8" I.P.S. water supply. To pre-mix hot & cold water supply, use mixing valve supplied (not pictured in Parts List above).

Step 4 - Connect wiring. Plug in power supply.

- On control box assembly, remove control box cover (Item #13). Pull PC board out for easier access to connections.
- Plug sensor eye cable (Item #3) into matching connection.
- Plug power adapter (item #14) into matching connection.
- Plug power adapter into 120V electrical power supply outlet. If wire between faucet and power adapter is too long, coil the excess wire and secure it so that it does not contact any surface of object below it.
- Push RESET on PC board. Reinstall cover. Make sure screws are tight to insure water resistance.
- Mount control box assembly to wall near sink, making sure the arrows are pointing toward spout.

Step 5 - Check for leaks.

IF THERE IS A LEAK, UNPLUG POWER ADAPTER FROM THE WALL BEFORE TENDING TO LEAK. After leak is fixed, RESET will have to be pushed again.

Note: Throttle down the water pressure from the hot and cold shutoff valves of water supply for a smooth flow of water.

Step 6 - Adjust faucet sensor.

- Place hands in front of sensor eye to turn on water. Remove hands to stop water.
- For minor adjustments, refer to instructions located inside control box cover (Item #13).
- To adjust range of time delay and auto shutoff, refer to chart at right. The SW6 and SW7 stay in "ON" position. SW8 stays in "OFF" position.

SW1	SW2	SW3	Time Delay	SW4	SW5	Auto Shut-Off
ON	ON	ON	*1 SEC	ON	ON	0 SEC
ON	ON	OFF	2 SEC	ON	OFF	15 SEC
ON	OFF	OFF	3 SEC	OFF	ON	*30 SEC
OFF	OFF	OFF	4 SEC	OFF	OFF	60 SEC

* Factory Setting

EG9961 Rev 10/12



- 100 Industrial Boulevard, Clayton, Delaware 19938-8903 U.S.A. • www.eaglegrp.com
- Phone: 302/653-3000 • (Foodservice) 800/441-8440 • (MHC/Retail) 800/637-5100
- Fax: 302/653-2065

Electronic Hand Sink with AC Adapter

TROUBLE SHOOTING GUIDE

<u>PROBLEM</u>	<u>POSSIBLE CAUSE</u>	<u>TO DIAGNOSE</u>	<u>REMEDY</u>
FAUCET WILL NOT TURN ON	Water not on	Check water supply.	Turn on water supply.
	Power supply failure	Check AC adapter connections.	Reconnect. Push RESET.
	Sensor distance is too short.	Use hand/palm to find focal point.	Adjust sensor distance (turn SDA clockwise), push RESET.
	Electronic PC board is defective.	Reset the unit, no light or action.	Replace PC board.
	Sensor eyes are defective.	Plug in AC adapter and place hands in front of sensor eyes, red light on faucet doesn't blink.	Replace sensor eyes and cable. Push RESET.
	Solenoid valve is clogged.	Solenoid is clicking but no water.	Clean solenoid. Blow free all bleed holes. Replace control disc. Push RESET.
	In-Line filter is clogged.	Open clean-out trap and check filter.	Clean or replace the filter.
	Solenoid coil is defective.	Reset the unit, light blinks normally, but no clicking.	Replace solenoid coil. Push RESET.

FAUCET
WILL
NOT
SHUT
OFF

Solenoid valve is normally closed. Turn off water and activate the faucet. If there is a clicking sound, then the solenoid is dirty. If there is no clicking sound, then replace solenoid valve. Other factors could be: Sensor distance is too long (adjust SDA counterclockwise); Electronic PC board is defective; If faucet is dripping, then the solenoid valve is dirty. Follow same procedures as above for remedies.



Profit from the Eagle Advantage®

- 100 Industrial Boulevard, Clayton, Delaware 19938-8903 U.S.A. • www.eaglegrp.com
- Phone: 302/653-3000 • (Foodservice) 800/441-8440 • (MHC/Retail) 800/637-5100
- Fax: 302/653-2065