

Hand Sink for Physically Challenged

ASSEMBLY INSTRUCTIONS

CAUTION

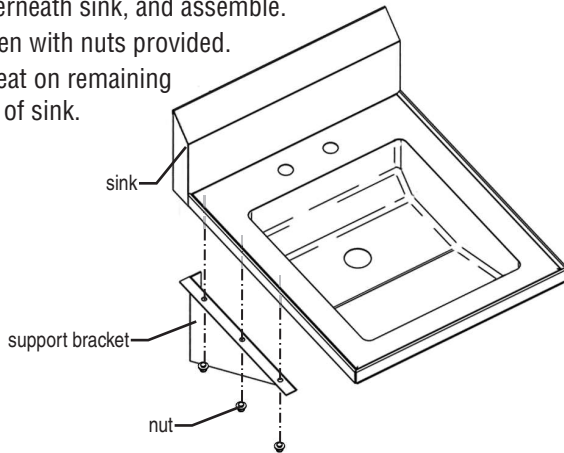
INSPECT CONTENTS IMMEDIATELY AND FILE CLAIM WITH DELIVERING CARRIER FOR ANY DAMAGE.

SAVE YOUR BOX AND ALL PACKING MATERIALS.

YOU ARE RESPONSIBLE FOR DAMAGE TO YOUR UNIT IF RETURNED IMPROPERLY PACKED.

Step 1 - Assemble support brackets to sink.

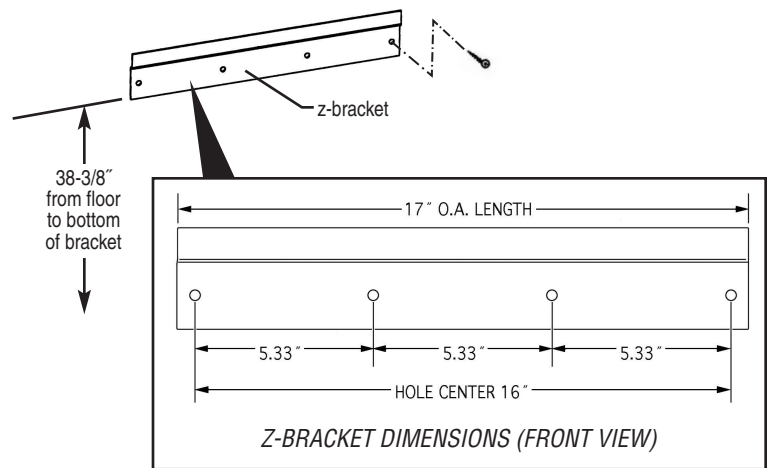
- Align holes on top of bracket with threaded studs underneath sink, and assemble.
- Fasten with nuts provided.
- Repeat on remaining side of sink.



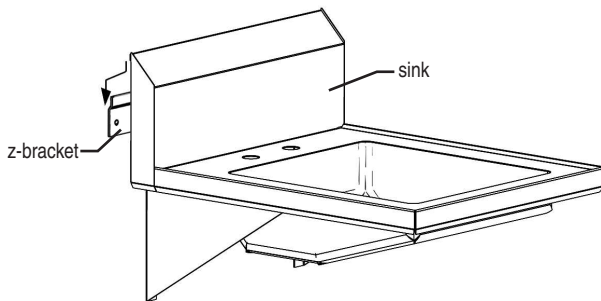
Step 2 - Mount z-bracket to wall.

Use a level for straightness.

(Note: Mounting hardware not included.)

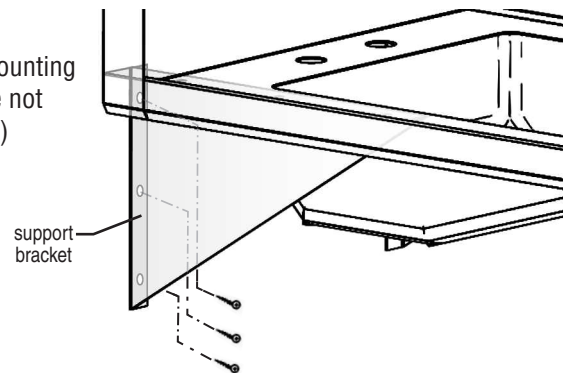


Step 3 - Hang sink off z-bracket.



Step 4 - Secure support brackets to wall.

(Note: Mounting hardware not included.)



(End)