

ASSEMBLY INSTRUCTIONS

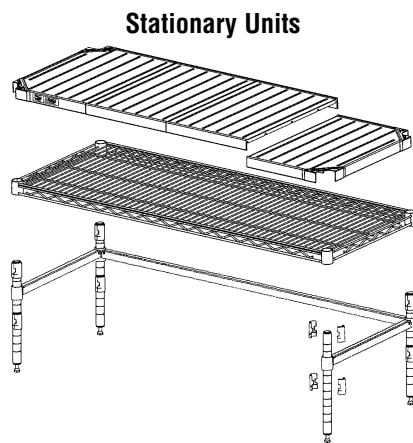
CAUTION

INSPECT CONTENTS IMMEDIATELY AND FILE CLAIM WITH DELIVERING CARRIER FOR ANY DAMAGE.
SAVE YOUR BOX AND ALL PACKING MATERIALS.
YOU ARE RESPONSIBLE FOR DAMAGE TO YOUR UNIT IF RETURNED IMPROPERLY PACKED.

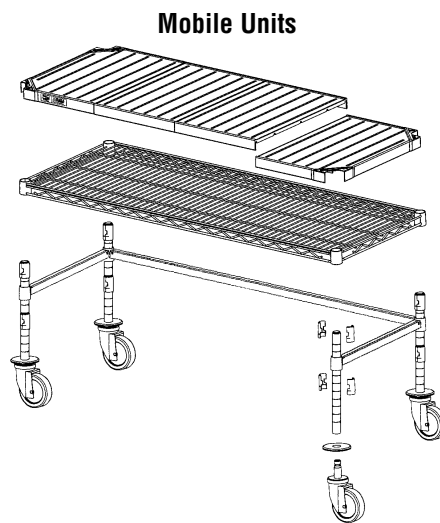
Thank you for your purchase. Before assembly, read this instruction sheet carefully to ensure correct use.
After reading, be sure to store this instruction sheet in a safe place, should it be needed for future reference.

BEFORE ASSEMBLY, PLEASE READ:

It is recommended to assemble truss frames and/or shelves onto posts—and to secure frame and/or shelf by tapping with a mallet—BEFORE installing polymer mats. **IMPORTANT: DO NOT HIT TRUSS FRAMES AND/OR SHELVES AFTER POLYMER MATS HAVE BEEN INSTALLED!** Remove polymer mats before readjusting truss frame.



Stationary Units



Mobile Units

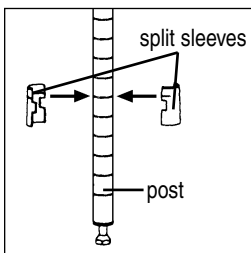


Figure 1a

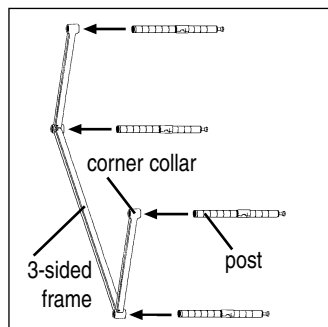


Figure 1b

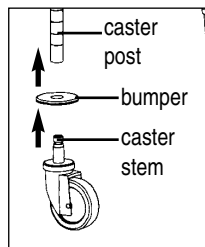


Figure 1c



Figure 1d

1. Assemble 3-sided frame to posts.

- A. Snap plastic tapered split sleeves onto each post at the desired position for the 3-sided frame (see Figure 1a).
Note: Although the 3-sided frame should be mounted as low as possible for the most stability, NSF requires a minimum of 6" clearance below the frame. For NSF-approved installation, mount frame at the 6th groove or above on each post.
- B. Holding the 3-sided frame on its side, insert the posts through the corner collars until the split sleeves are seated snugly within the collars (see Figure 1b).

IF YOU ORDERED A MOBILE UNIT, AFFIX CASTERS TO POSTS...

- A. Place donut bumper onto bottom end of each post (see Figure 1c).
- B. Insert castor stem into bottom of each post. Drive in castor using a hammer or mallet (see Figure 1d).

(continued on back page) 

EG9942 Revised 11/18

QuadPLUS® Polymer Dunnage Rack

ASSEMBLY INSTRUCTIONS

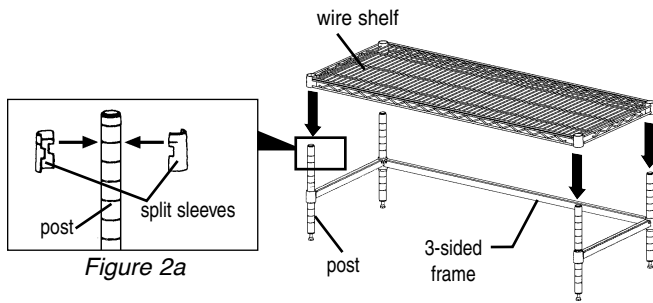


Figure 2c

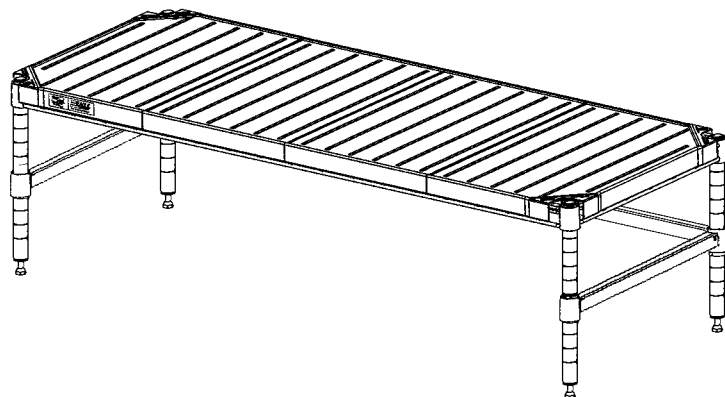
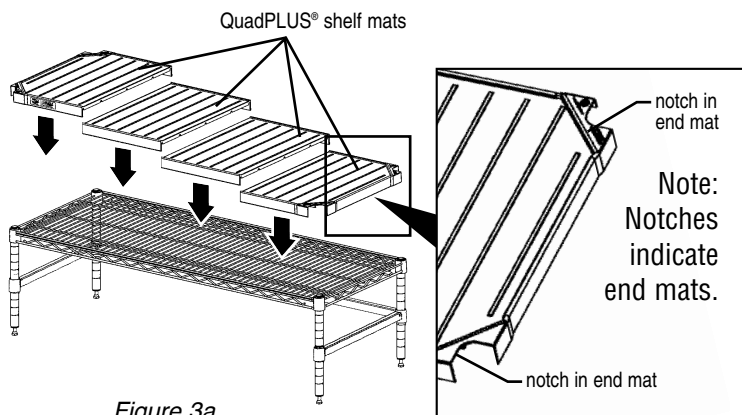


2. Attach wire shelf to post/frame assembly.

- Stand the post/frame assembly upright, and snap the split sleeves onto each post at the topmost groove (see Figure 2a).
- Mount the wire shelf, inserting the posts through the corner collars of shelf (see Figure 2b) until the split sleeves are seated snugly within the collars.
- Securely seat wire shelf using a board and hammer at each corner (see Figure 2c).

3. Attach QuadPLUS® shelf mats.

- Position polymer mats onto wire shelf accordingly (see Figure 3a).
- Gently push each mat down along the front and rear to snap them into place.



Assembly is complete.