

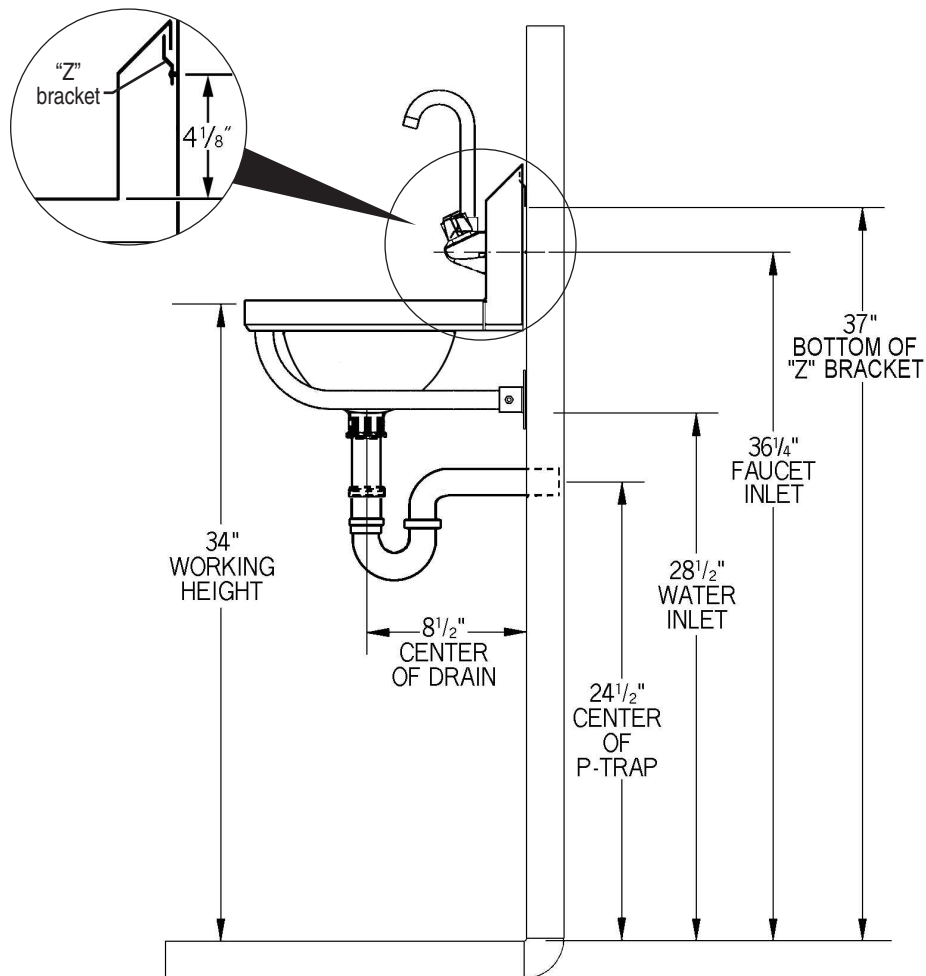
Hand Sink with Tubular Supports

ASSEMBLY INSTRUCTIONS

CAUTION

INSPECT CONTENTS IMMEDIATELY AND FILE CLAIM WITH DELIVERING CARRIER FOR ANY DAMAGE.
SAVE YOUR BOX AND ALL PACKING MATERIALS.
YOU ARE RESPONSIBLE FOR DAMAGE TO YOUR UNIT IF RETURNED IMPROPERLY PACKED.

Dimensions for plumbing rough-ins:



(continued on back page) 

EG9893 Revised 01/12



• 100 Industrial Boulevard, Clayton, Delaware 19938-8903 U.S.A. • www.eaglegrp.com
• Phone: 302/653-3000 • (Foodservice) 800/441-8440 • (MHC/Retail) 800/637-5100
• Fax: 302/653-2065

Eagle Foodservice Equipment, Eagle MHC, SpecFAB®, and Retail Display are divisions of Eagle Group. ©2012 by the Eagle Group

Hand Sink with Tubular Supports

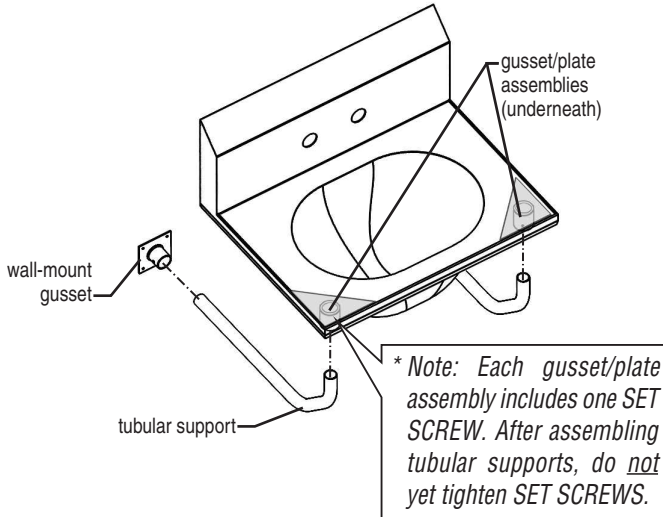
ASSEMBLY INSTRUCTIONS

Please note before assembly:

- Attach faucet to hand sink per faucet instructions.
- Please follow the plumbing rough-ins (front page). All dimensions are nominal.

Step 1 - Assemble tubular supports to sink.

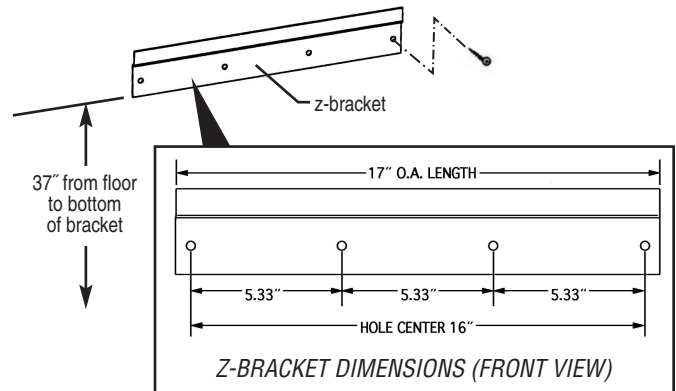
- Insert tubular supports into wall mounted gussets.
- Insert other end of tubular supports into gusset/plate assemblies* located underneath sink deck.



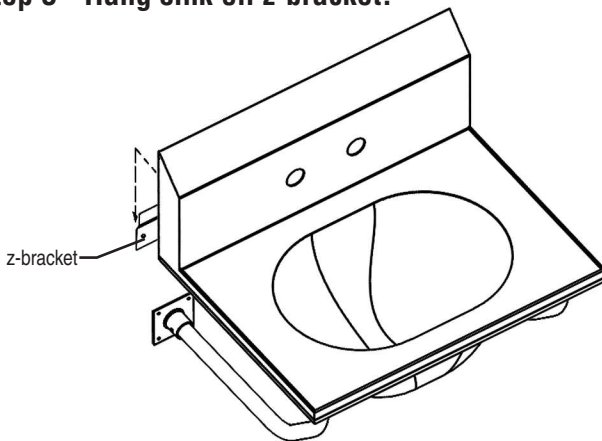
Step 2 - Mount z-bracket to wall.

Use a level for straightness.

(Note: Mounting hardware not included.)

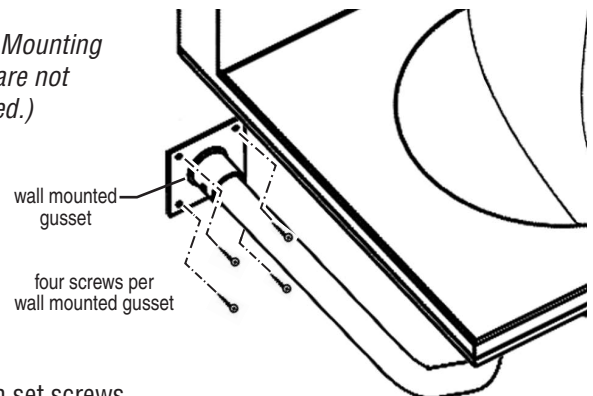


Step 3 - Hang sink off z-bracket.



Step 4 - Secure wall-mounted gussets to wall.

(Note: Mounting hardware not included.)



Tighten set screws of all gussets.

(End)