

Buffet Shelf for Hot Food Table

ASSEMBLY INSTRUCTIONS

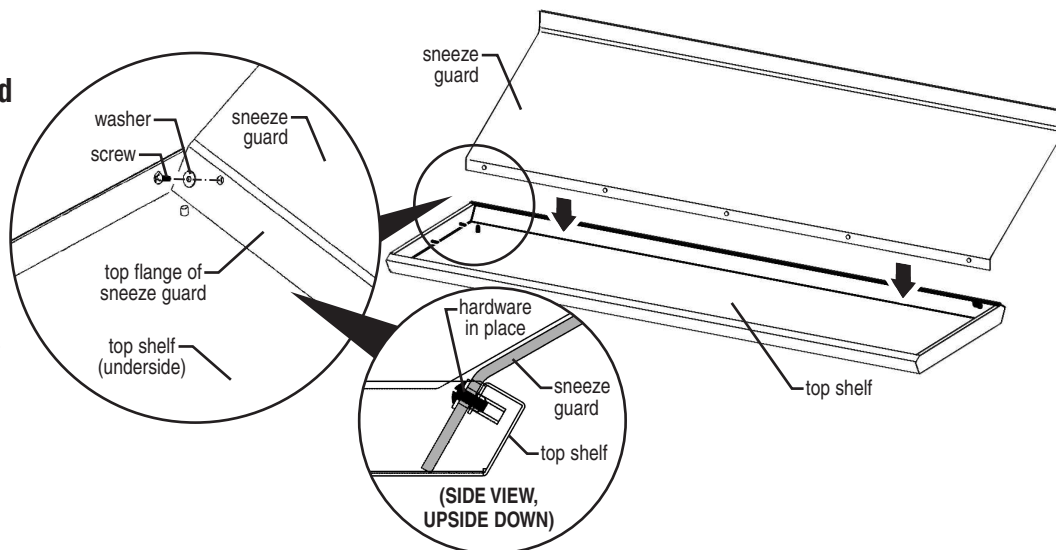
CAUTION

INSPECT CONTENTS IMMEDIATELY AND FILE CLAIM WITH DELIVERING CARRIER FOR ANY DAMAGE.
SAVE YOUR BOX AND ALL PACKING MATERIALS.
YOU ARE RESPONSIBLE FOR DAMAGE TO YOUR UNIT IF RETURNED IMPROPERLY PACKED.

Step 1: Assemble front sneeze guard and top shelf.

(To assemble, turn upside-down.)

- Position top flange of sneeze guard INSIDE top shelf.
- Align holes, and secure with #10 washers and #10-32x1/2" screws as shown.

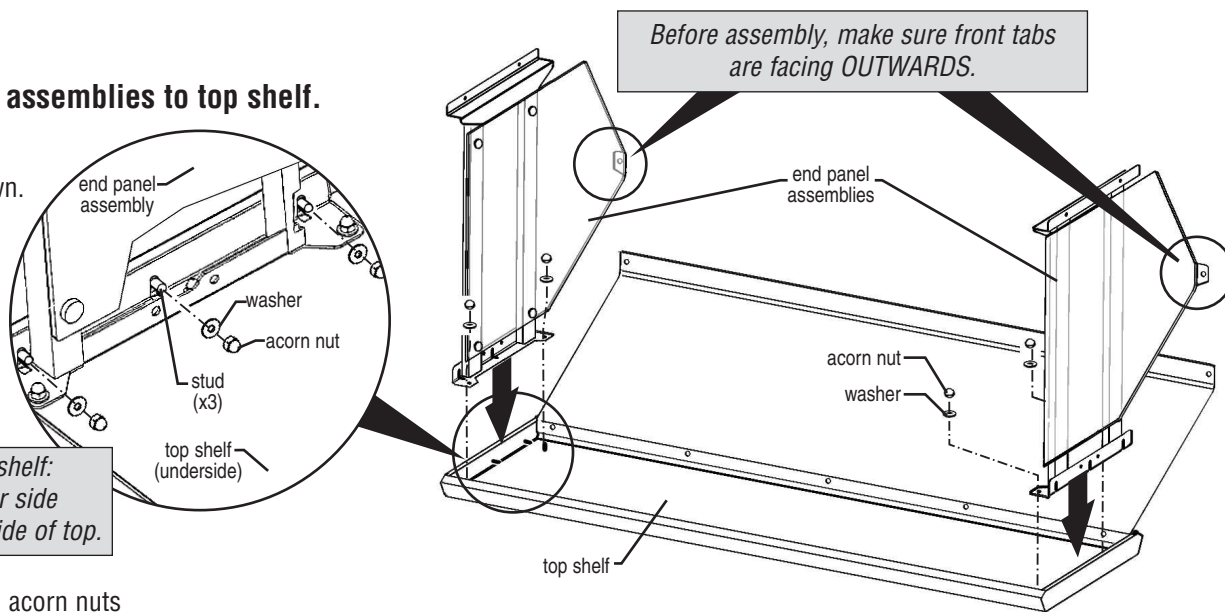


Step 2: Attach end panel assemblies to top shelf.

- Position end panel assemblies as shown.
- On one end, align all studding underneath top shelf with holes on top of end assembly.

On each end of top shelf:
• 3 studs along inner side
• 2 studs on underside of top.

- Fasten washers and acorn nuts onto studs as shown.
- Repeat on remaining end.



(continued on back page)

EG9891 Revised 03/12

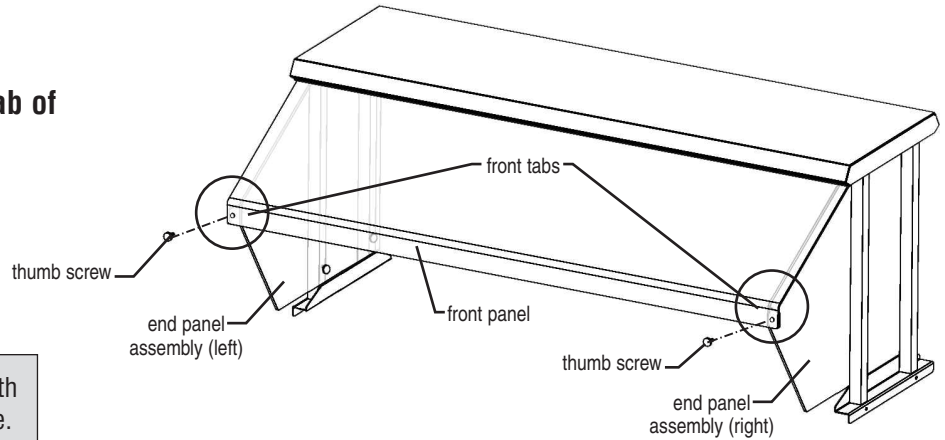
Buffet Shelf for Hot Food Table

ASSEMBLY INSTRUCTIONS

Step 3:

Secure front sneeze guard to front tab of each end panel assembly.

- Secure with thumb screws.
- Tighten all hardware.



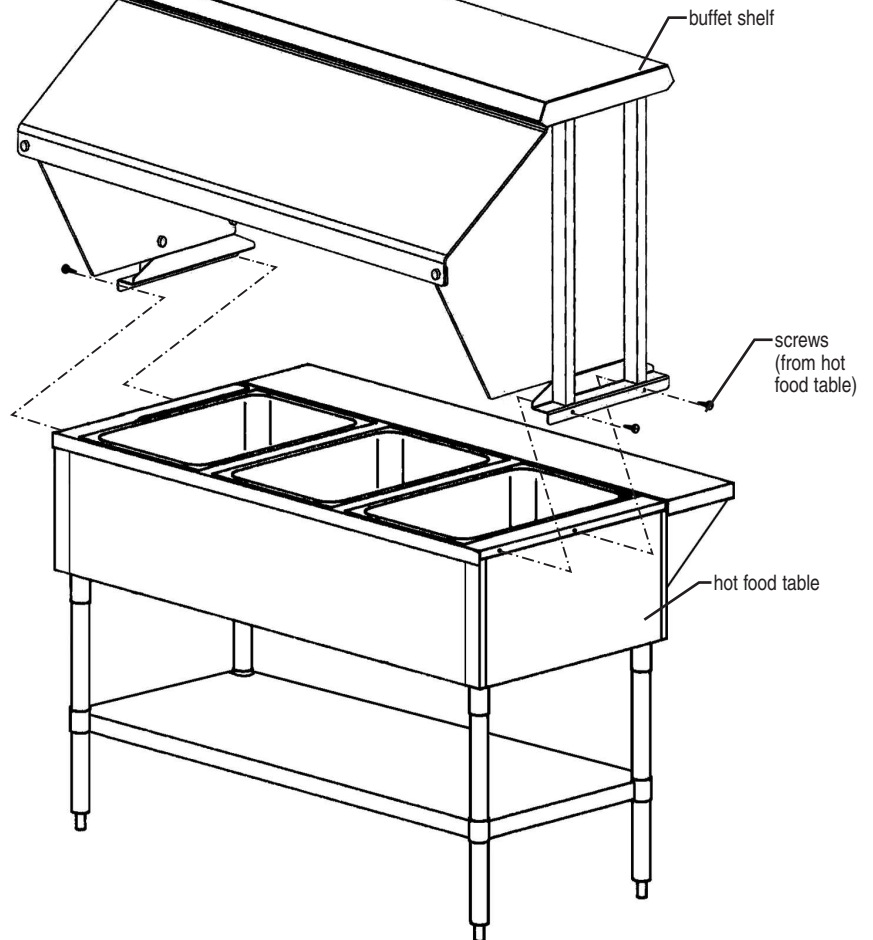
For buffet shelves with sneeze guard on both sides, repeat **Steps 1 - 3** on remaining side.

Step 4:

Attach buffet shelf to Eagle Group hot food table.

Mount onto hot food table with sneeze guard facing CUSTOMER'S SIDE of table.

- Remove the two frontmost screws on each end of hot food table.
- Place buffet shelf onto hot food table.
- Line up holes on buffet shelf with holes on table.
- Replace screws into original holes.



(End)

To clean all clear panels:

- Wash with mild soap or detergent and with plenty of lukewarm water. Dry with soft cloth or chamois.
- Do NOT use window-cleaning sprays, scouring compounds, acetone, gasoline, benzene, carbon tetrachloride or lacquer thinner.



- 100 Industrial Boulevard, Clayton, Delaware 19938-8903 U.S.A. • www.eaglegrp.com
- Phone: 302/653-3000 • (Foodservice) 800/441-8440 • (MHC/Retail) 800/637-5100
- Fax: 302/653-2065