

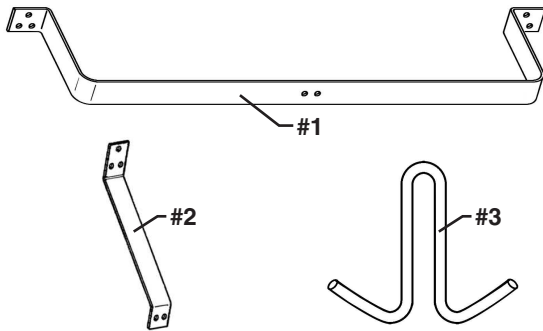
# Single Bar Pot Racks

## ASSEMBLY INSTRUCTIONS

### CAUTION

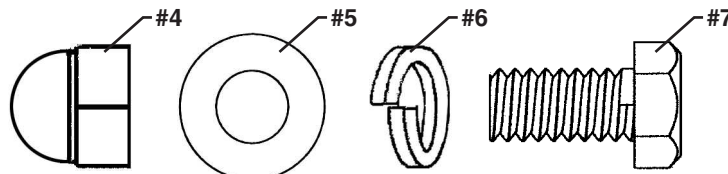
INSPECT CONTENTS IMMEDIATELY AND FILE CLAIM WITH DELIVERING CARRIER FOR ANY DAMAGE.  
**SAVE YOUR BOX AND ALL PACKING MATERIALS.**  
YOU ARE RESPONSIBLE FOR DAMAGE TO YOUR UNIT IF RETURNED IMPROPERLY PACKED.

### Parts List

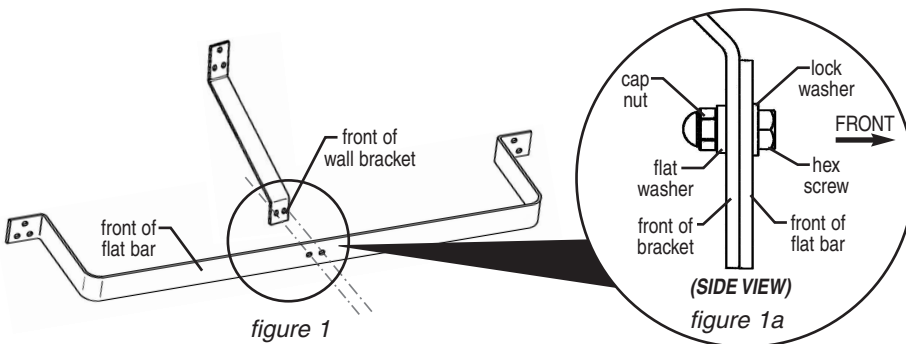


item no.	description of part	Quantities									part no.
		24"	36"	48"	60"	72"	84"	96"	108"	120"	
1	flat bar	1	1	1	1	1	1	1	1	1	*
2	brackets	0	1	1	1	2	2	3	3	3	**
3	pot hooks	2	3	4	5	6	7	8	9	10	300696
4	cap nuts	0	2	2	2	4	4	6	6	6	306137
5	flat washers	0	2	2	2	4	4	6	6	6	305010
6	lock washers	0	2	2	2	4	4	6	6	6	306122
7	hex screws	0	2	2	2	4	4	6	6	6	306138

\* Varies per length of rack ordered; \*\* Varies per order (aluminum or stainless steel).



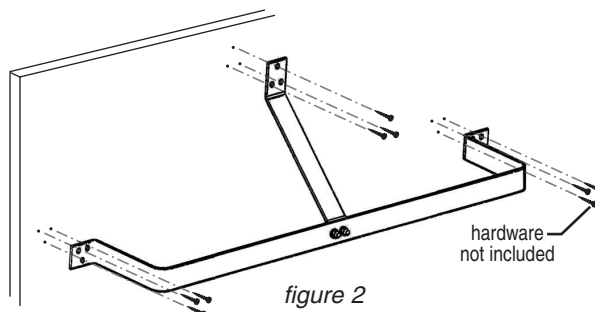
(actual size of hardware)



### Step 1 - Attach bracket(s) to flat bar.

- Line up pair of holes on front of wall bracket(s) with pair(s) of holes on front of flat bar—see *figure 1*.
- Attach front of bracket(s) to flat bar with hardware configured as shown in *figure 1a*.
- Tighten hardware.

NOTE: 24" rack does not include brackets.



### Step 2 - Mount assembly to wall\*.

- Using rack as a guide, mark hole locations onto wall. Using a level is highly suggested.
- Pre-drill pilot holes into wall.
- Mount rack to wall (wall-mounting hardware not included).
- Hang pot hooks onto flat bar where desired.

\* NOTE: Wall mounted units must be attached to a properly constructed and sound wall. For walls constructed of wood or steel studs, the mounting points must be directly on the stud or suitable in-wall-grounds of plywood or sheet metal. Eagle Group cannot be held responsible for the failure of the device or any other devices due to improper installation.

