



Profit from the Eagle Advantage®

Foodservice Division: (800) 441-8440

MHC/Retail Display Divisions: (800) 637-5100

FAX: (302) 653-2065

CLICK HERE  
for more Eagle Products  
at NAFEM

# Product Announcement

## Short Form Specifications

Eagle Stainless Steel Caster Cradle® caster stabilizing device, model #\_\_\_\_\_. Conforms to NFPA 17A 5.6.4 requirements for stabilizing cooking equipment and correct placement under fire system nozzles. Unique bowl shaped design allows for accurate placement of mobile equipment every time. Units are secured to the floor where the casters are to be centered.

Item #:	_____
Model #:	_____
Project #:	_____
SIS #:	_____



EG8108NAFEM Rev. 02/17

- Designed to conform to requirements of NFPA 17A 5.6.4 for stabilization of cooking equipment and correct placement under fire system nozzles, using a set of two (typically), placed at rear wheels of equipment with front locking casters.
- When the caster wheel enters anywhere along the edge of the caster cradle, gravity will cause it to drop automatically to the direct center, assuring exact placement of mobile equipment every time.
- Low profile design allows for easy movement of equipment caster into the contoured center.
- Circular design allows approach from any angle, making equipment alignment easy.
- Easy installation in any existing kitchen.
- Works with casters up to 8"-diameter.
- Heavy gauge stainless steel.
- Can be used to keep any mobile equipment properly aligned throughout the kitchen.

## Stainless Steel Caster Cradle®

Caster stabilizing device for mobile cooking equipment.



**PATENTED!**  
(patent #US 8,678,335 B2)

*The Caster Cradle® is the only caster stabilizing device having a patented uniform circular design (patent #US 8,678,335 B2) that allows for approach from any angle, utilizing units secured to the floor where the casters of mobile equipment are to be centered. There is no need to line up wheels at the same time while trying to look below the equipment. Just push one rear wheel on an angle and roll it into one of the cradles, and pivot the equipment into the other cradle unit, where exact alignment will be automatic. It's that easy!!*

### Uses include (but not limited to):

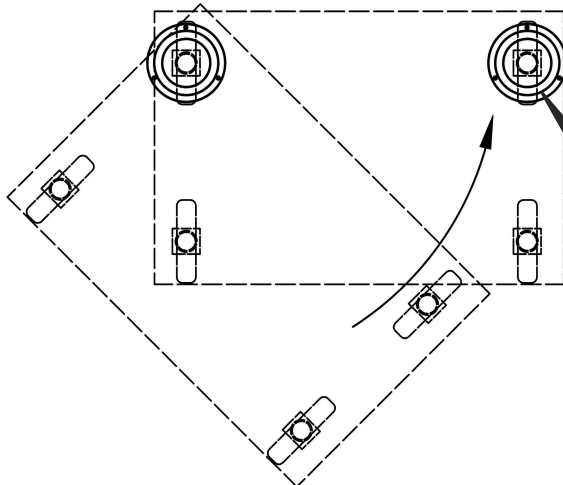
- Surface cooking equipment under exhaust hoods
- Pass-through cabinets in wall openings
- Refrigerators and worktables in center aisles
- Counters at tray make-up lines
- Portable food machines on equipment stands

For custom configuration or fabrication needs, contact our **SpecFAB® Division**.  
Phone: (302) 653-3000. FAX: (302) 653-2065.  
E-mail: quotes@eaglegrp.com



# Stainless Steel Caster Cradle® Caster Stabilizing Device

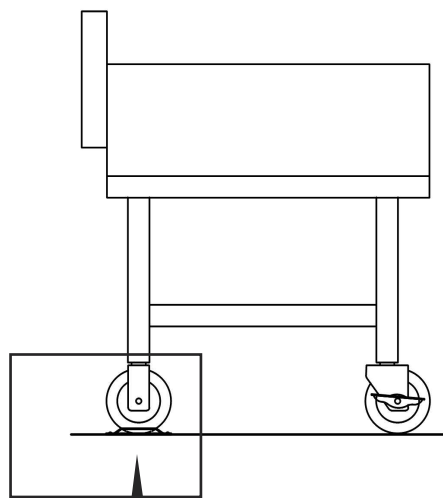
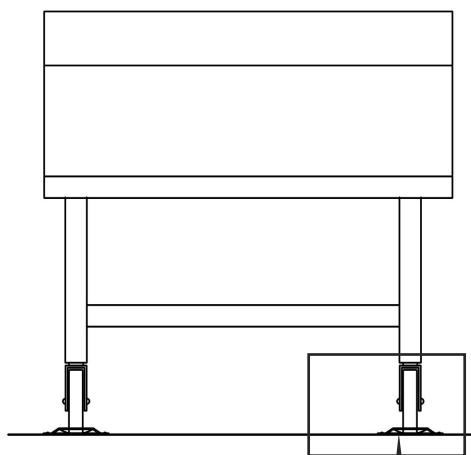
**PATENTED!**  
(patent #US 8,678,335 B2)



description	model #	list/pkg.
quantity of 2 per package	<b>CC-S-2</b>	\$83
quantity of 10 per package	<b>CC-S-10</b>	329
quantity of 60 per package	<b>CC-S-60</b>	1847

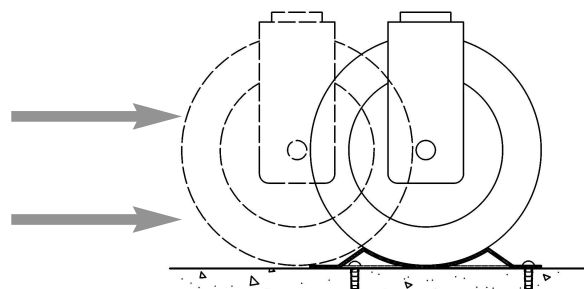
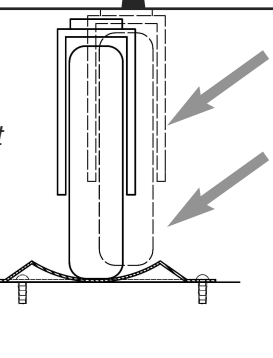
**Easy alignment...**

The Caster Cradle® caster stabilizing device uses typically a set of two units secured to the floor where the rear casters are to be centered. No need to line up both wheels at the same time; Just push one rear wheel on an angle and roll it into one of the cradles, and pivot the equipment into the other cradle unit, where exact alignment will be automatic.



**Easy accuracy...**

Because of the unique bowl shaped design, there is no need for concern about exact alignment upon approach. When the wheel enters anywhere along the edge of the Caster Cradle®, gravity will cause it to automatically drop into the direct center, assuring exact placement every time.



**Easy movement...**

The low profile design allows for easy movement of equipment casters into the contoured center, which securely holds wheels up to 8" in diameter.

The Caster Cradle® caster stabilizing device is manufactured and marketed under license, including trademark license, by the Eagle Group.