



Profit from the Eagle Advantage®

Specification Sheet

Short Form Specifications

Eagle 1800 Series Under Combination Unit, model _____ . Top, front, backsplash, ice bin and sink bowls to be heavy gauge type 304 stainless steel. Sinks to be 10" x 14" x 10" deep with 1½" drains and standpipes. Ice bin, available with or without sealed-in 7-circuit post-mix cold plate, to be fully insulated. Unit to come standard with stainless steel speed rail and splash mounted faucet with 10" spout. 1½" O.D. galvanized tubular legs with adjustable bullet feet.



#BC8C-18R
1800 Series combination unit

Options / Accessories

- Leg & faucet kit (see below)
- Stainless steel leg kits (see below)

Item No.:	_____
Project No.:	_____
S.I.S. No.:	_____

1800 Series Combination Units

MODELS:

- | | |
|------------------------------------|--------------------------------------|
| <input type="checkbox"/> BC7C-18L | <input type="checkbox"/> BC7C-18L-7 |
| <input type="checkbox"/> BC7C-18R | <input type="checkbox"/> BC7C-18R-7 |
| <input type="checkbox"/> BC8C-18L | <input type="checkbox"/> BC8C-18L-7 |
| <input type="checkbox"/> BC8C-18R | <input type="checkbox"/> BC8C-18R-7 |
| <input type="checkbox"/> BC9C-18L | <input type="checkbox"/> BC9C-18L-7 |
| <input type="checkbox"/> BC9C-18R | <input type="checkbox"/> BC9C-18R-7 |
| <input type="checkbox"/> BC10C-18L | <input type="checkbox"/> BC10C-18L-7 |
| <input type="checkbox"/> BC10C-18R | <input type="checkbox"/> BC10C-18R-7 |

Design and Construction Features

- Top, front, and backsplash are type 304 series stainless steel construction.
- Bottom, back panels, and ends are galvanized steel.
- 10" x 14" x 10" (254 x 356 x 254mm) sink bowls.
- Three sets of welded galvanized legs.
- 15½" x 19¾" x 8" (394 x 502 x 203mm) ice bins feature 1½" (38mm) drain with removable standpipe on sinks.
- Splash mount 4" (102mm) center faucet with 10" (254mm) spout.
- Front-to-back is 20" (495mm) on all models. Lengths offers range from 7' (2134mm) to 10' (3048mm).
- Faucets, drains with overflow, speed rail included. Four-bowl units include two faucets.
- Bullnose front edge.
- Model available with or without sealed-in 7-circuit post-mix cold plate.

Optional Kits for Underbar Sinks	
add suffix #	description
-SL	stainless steel leg assemblies
-SLF	stainless steel leg assemblies & stainless steel feet
-SLG	stainless steel leg assemblies & stainless steel gussets
-SLGF	stainless steel leg assemblies, stainless steel feet & gussets
-LF *	stainless steel legs and T&S faucet

* Includes #305540 stainless steel legs and #313302 T&S faucet

EAGLE GROUP

100 Industrial Boulevard, Clayton, DE 19938-8903 USA
 Phone: 302-653-3000 • 800-441-8440 • Fax: 302-653-2065
www.eaglegrp.com
www.eaglehmc.com

For custom configuration or fabrication needs, contact our SpecFAB® Division.
 Phone: 302-653-3000 • Fax: 302-653-2065 • e-mail: quotes@eaglegrp.com

Certifications / Approvals



AutoQuotes



EG40.08 Rev. 04/24

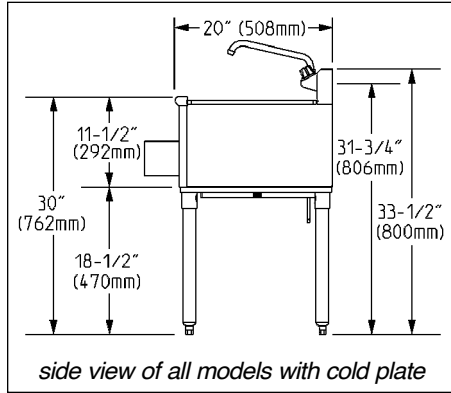
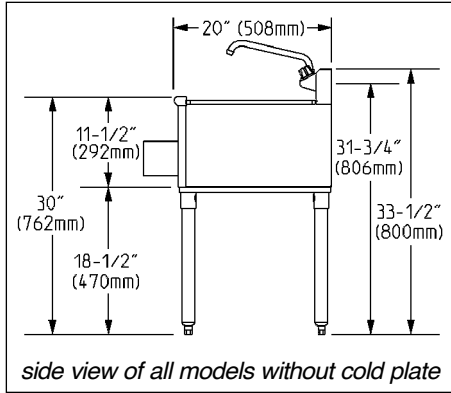
Spec sheets available for viewing, printing or downloading from our online literature library at our websites



Profit from the Eagle Advantage®

Item No.: _____
 Project No.: _____
 S.I.S. No.: _____

1800 Series Combination Units

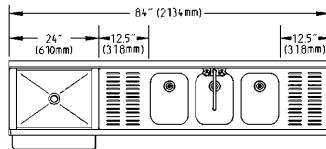


7' (2134mm) length

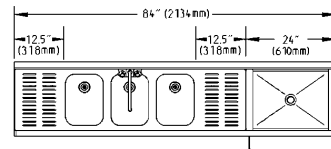
model #	sh. weight lbs.	kg
BC7C-18L *	113	51.3
BC7C-18R *	113	51.3

UNITS WITH COLD PLATE

BC7C-18L-7	250	113.4
BC7C-18R-7	250	113.4



BC7C-18L



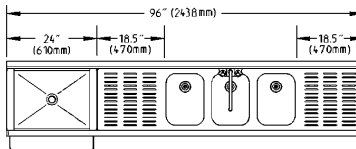
BC7C-18R

8' (2438mm) length

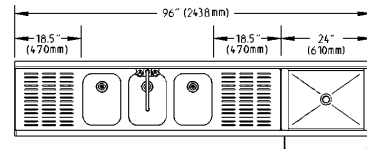
model #	sh. weight lbs.	kg
BC8C-18L	229	103.9
BC8C-18R	229	103.9

UNITS WITH COLD PLATE

BC8C-18L-7	263	119.3
BC8C-18R-7	263	119.3



BC8C-18L



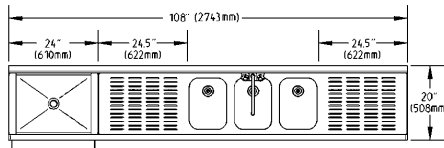
BC8C-18R

9' (2743mm) length

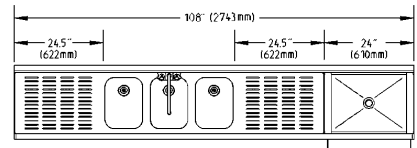
model #	sh. weight lbs.	kg
BC9C-18L	239	108.4
BC9C-18R	239	108.4

UNITS WITH COLD PLATE

BC9C-18L-7	273	123.8
BC9C-18R-7	273	123.8



BC9C-18L



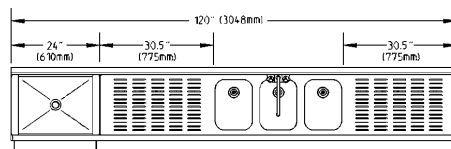
BC9C-18R

10' (3048mm) length

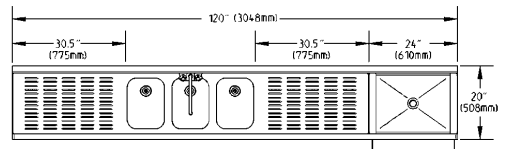
model #	sh. weight lbs.	kg
BC10C-18L	251	113.9
BC10C-18R	251	113.9

UNITS WITH COLD PLATE

BC10C-18L-7	285	129.3
BC10C-18R-7	285	129.3



BC10C-18L



BC10C-18R

*7' units without cold plate are packed in a carton. All other models are wood-crated.

EAGLE GROUP

100 Industrial Boulevard, Clayton, DE 19938-8903 USA

Phone: 302-653-3000 or 800-441-8440 • Fax: 302-653-2065

www.eaglegrp.com • www.eaglehmc.com

Printed in U.S.A.

©2024 by Eagle Group

Rev. 04/24

Spec sheets available for viewing, printing or downloading from our online literature library at our websites

Although every attempt has been made to ensure the accuracy of the information provided, we cannot be held responsible for typographical or printing errors. Information and specifications are subject to change without notice. Please confirm at time of order.