



Profit from the Eagle Advantage®

Specification Sheet

Short Form Specifications

Eagle Enclosed Base Solid Top Unit, model _____. Available with open front or with stainless steel sliding doors with recessed handles. Top to be type 16/430 stainless steel with heavy gauge stainless steel body and full-depth stainless steel undershelf welded to outer wrapper. 1 1/2" O.D. stainless steel tubular legs with adjustable bullet feet.



unit shown with open front

Options / Accessories

- Center shelf
- Overshelf
- Serving shelf
- Tray slide
- Tray shelf
- Casters
- Stainless steel feet
- Spec-Master® marine edge
- Decorative laminates

Item No.: _____
 Project No.: _____
 S.I.S. No.: _____

Spec-Master® Solid Top Units—Enclosed Base

MODELS:

- ST3OB
- ST3CB
- ST4OB
- ST4CB
- ST5OB
- ST5CB

Construction

- Top is constructed of 16 gauge type 430 series stainless steel with hat channel support.
- Cabinet body is constructed of highly polished 20 gauge 430 series stainless steel.
- Legs are 1 1/2" (41mm) O.D. stainless steel tubing fitted with adjustable, non-marking plastic feet.
- Bottom shelf is full depth of unit and welded to outer wrapper.

Sliding doors (when indicated)

- 22 gauge type 430 stainless steel construction complete with recessed stainless steel handle.
- Doors sit within an exclusive rollerless track assembly, providing easier cleaning and lower maintenance.

EAGLE GROUP
 100 Industrial Boulevard, Clayton, DE 19938-8903 USA
 Phone: 302-653-3000 • Fax: 302-653-2065
 www.eaglegrp.com

Foodservice Division: Phone 800-441-8440
MHC/Retail Display Divisions: Phone 800-637-5100

For custom configuration or fabrication needs, contact our **SpecFAB® Division**.
 Phone: 302-653-3000 • Fax: 302-653-3091 • e-mail: specfab@eaglegrp.com



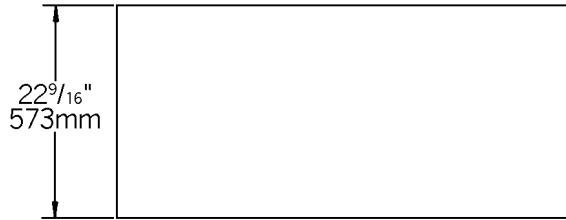
EG30.09 Rev. 06/08

Spec sheets available for viewing, printing or downloading from our online literature library at www.eaglegrp.com

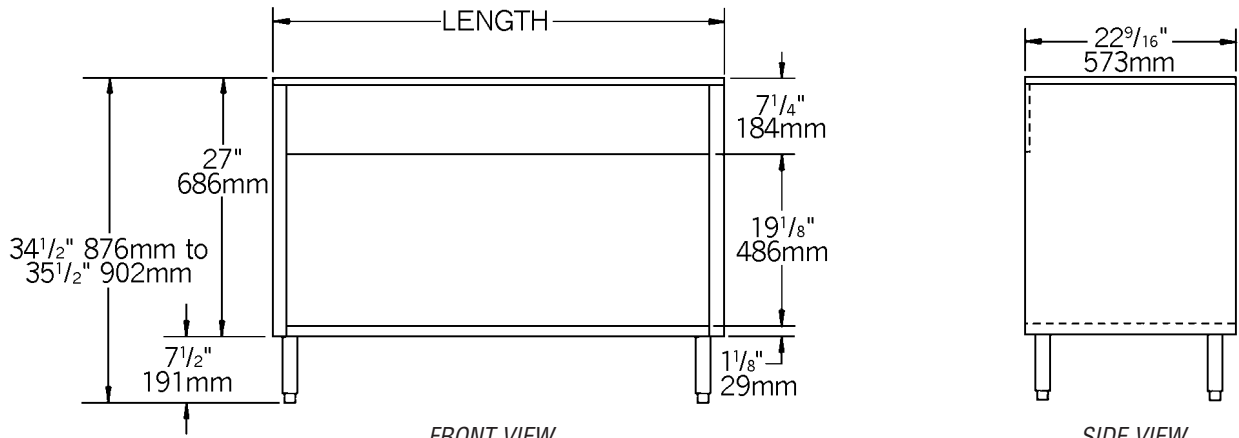


Item No.: _____
 Project No.: _____
 S.I.S. No.: _____

Spec-Master® Solid Top Units—Enclosed Base



TOP VIEW



FRONT VIEW

SIDE VIEW

(note: unit with open front shown)

WITH OPEN FRONT weight			WITH SLIDING DOORS weight			length	
model #	lbs.	kg	model #	lbs.	kg	in.	mm
ST3OB	225	102.1	ST3CB	233	105.7	48"	1219
ST4OB	265	120.2	ST4CB	274	124.3	63 1/2"	1613
ST5OB	305	138.3	ST5CB	315	142.9	79"	2007

All models available with casters. To order, add prefix "P" to model number. Example: PST4CB

EAGLE GROUP
 100 Industrial Boulevard, Clayton, DE 19938-8903 USA
 Phone: 302-653-3000 • Fax: 302-653-2065
 www.eaglegrp.com

Foodservice Division: Phone 800-441-8440
 MHC/Retail Display Divisions: Phone 800-637-5100

Printed in U.S.A.
 ©2008 by Eagle Group

Rev. 06/08

Spec sheets available for viewing, printing or downloading from our online literature library at www.eaglegrp.com

Although every attempt has been made to ensure the accuracy of the information provided, we cannot be held responsible for typographical or printing errors. Information and specifications are subject to change without notice. Please confirm at time of order.