

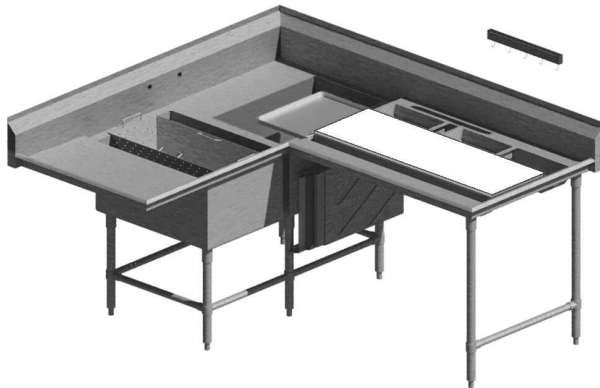


Profit from the Eagle Advantage®

Specification Sheet

Short Form Specifications

Eagle Spec-Master® FNP Series Two-Compartment Prep Sink with Corner Design, model _____. Patented prep area design (#8,733,253). Unit constructed of 14/304, 18-8 stainless steel throughout. Sink bowls fabricated with 5/8" radius. 14" water level. Drainboard "V" creased for positive drainage. Prep area with 6" and 3"-wide slanted troughs and flush nozzles. 9 1/2" high backsplash with 1" upturn and tile edge. Legs are 1 1/2" O.D., stainless steel, with stainless steel gussets, stainless steel crossbracing and adjustable stainless steel bullet feet.



"R" model with troughs and prep area at right end

Options / Accessories

- Lever drain
- Lever drain with overflow
- Twist handle drains
- Overflow hole
- Sink kits
- Faucets
- Polyboard sink covers
- Stainless steel sink covers
- Disposer collar
- Disposer switch bracket
- Undercounter refrigeration
- Waste disposal unit
- Trough nozzle flow controls
- Wall shelf
- Portion scale

Features:

- Sink with prep area.
- Multi-polyboard holder assembly, affixed to sink bowl in drainboard area, includes three colored polyboards: one green (vegetables), one blue (chicken/fish), and one red (beef).
- Includes magnetic utensil holder, custom-fit rinse basket, removable bun pan holder, and attachment for hose reel.

EAGLE GROUP

100 Industrial Boulevard
Clayton, DE 19938-8903 USA

Phone: 302-653-3000 • 800-441-8440

Fax: 302-653-2065

www.eaglegrp.com • www.eaglemhc.com

For custom configuration or fabrication needs, contact our SpecFAB® Division.

Phone: 302-653-3000 • Fax: 302-653-2065 • e-mail: quotes@eaglegrp.com

Item No.: _____
 Project No.: _____
 S.I.S. No.: _____

Spec-Master® FNP Series Coved Corner Two-Compartment Prep Sinks with Corner Design

MODELS:

- CFNP2840-2-48TR
- CFNP2840-2-48TL
- CFNP2840-2-18L-48TR
- CFNP2840-2-18R-48TL
- CFNP2840-2-24L-48TR
- CFNP2840-2-24R-48TL



Top:

- Prep area with 6" and 3" (152 and 76mm)-wide slanted troughs, each supplied with flush nozzles. Patented design (patent #8,733,253).
- Removable 14" (356mm)-wide white poly cutting board along prep area.
- Drainboard, prep area, backsplash and rolled rims are integrally welded 14 gauge type 304 stainless steel.
- All rolled edges are highlighted for enhanced appearance.
- 9 1/2" (241mm)-high backsplash with 1" upturn and tile edge.
- 1 1/2" (29mm) faucet holes punched on 8" (203mm) centers.

Base:

- Legs: 1 1/2" (41mm)-diameter stainless steel tubing with stainless steel gussets and fully adjustable stainless steel bullet feet.
- Crossbracing: Adjustable, 1 1/4" (32mm)-diameter stainless steel; running left-to-right and front-to-back.
- Leg locations fall directly under sink bowl, providing increased stability and maximum weight support.
- Additional leg locations and crossbracing under prep area and drainboards longer than 24" (610mm).
- Leg gussets welded to a die-cut heavy-gauge stainless steel reinforcing corner plate.

Sink Bowls:

- 14 gauge type 304 stainless steel.
- 14" (356mm) water level, 17" (432mm) flood level.
- Sink compartments fabricated with a 5/8" (41mm) radius, using state-of-the-art seamless welding techniques.
- Basket-type waste drain fits each sink bowl's 3 1/2" (89mm) opening and features 1 1/2" (38mm) outlet.

Certifications / Approvals



EG20.63 Rev. 05/21

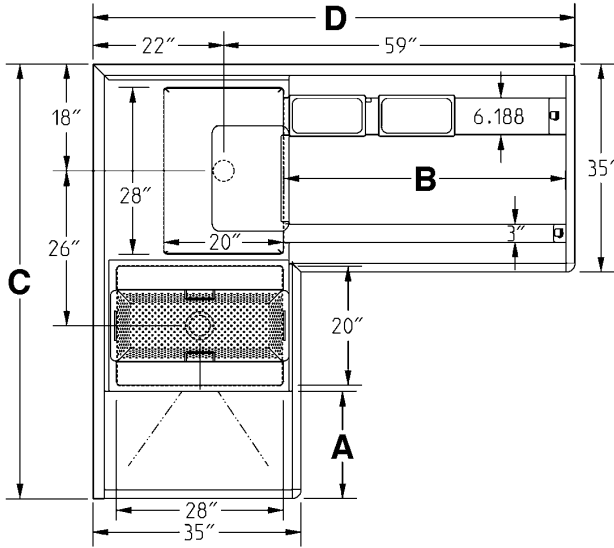
Spec sheets available for viewing, printing or downloading from our online literature library at www.eaglegrp.com

Eagle Foodservice Equipment, Eagle MHC, and SpecFAB® are divisions of Eagle Group. ©2021 by the Eagle Group

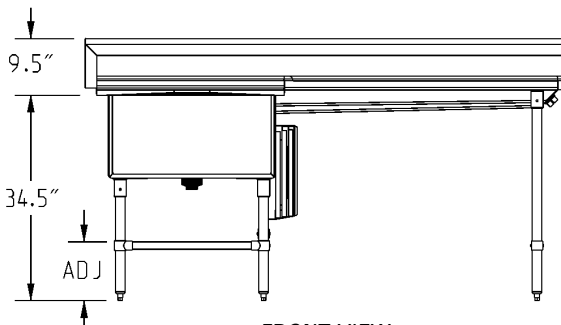


Item No.: _____
 Project No.: _____
 S.I.S. No.: _____

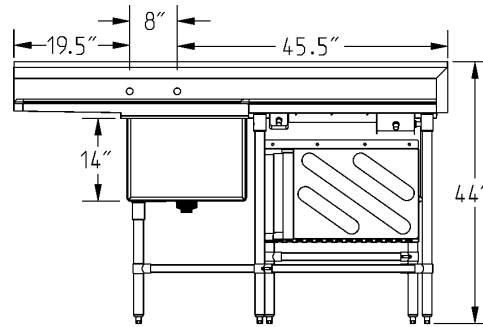
Spec-Master® FNP Series Covered Corner Prep Sinks —Two-Compartment, with Corner Design



TOP VIEW



FRONT VIEW



SIDE VIEW

(model #CFNP2840-2-18L-48TR shown)

model #	trough & prep area located	BOWL DIMENSIONS				DRAINBD		PREP AREA		OVERALL DIMENSIONS					
		width		length		LENGTH A		LENGTH B		width		LENGTH C		LENGTH D	
		in.	mm	in.	mm	in.	mm	in.	mm	in.	mm	in.	mm	in.	mm
CFNP2840-2-48TL	at left end	28"	711	20"	508	n/a		48"	1219	35"	889	56½"	1435	81"	2057
CFNP2840-2-48TR	at right end	28"	711	20"	508	n/a		48"	1219	35"	889	56½"	1435	81"	2057
CFNP2840-2-18R-48TL	at left end	28"	711	20"	508	18"	457	48"	1219	35"	889	73"	1854	81"	2057
CFNP2840-2-18L-48TR	at right end	28"	711	20"	508	18"	457	48"	1219	35"	889	73"	1854	81"	2057
CFNP2840-2-24R-48TL	at left end	28"	711	20"	508	24"	610	48"	1219	35"	889	79"	2007	81"	2057
CFNP2840-2-24L-48TR	at right end	28"	711	20"	508	24"	610	48"	1219	35"	889	79"	2007	81"	2057

Units with 30" and 36" drainboards ("LENGTH A") also available.

EAGLE GROUP
 100 Industrial Boulevard, Clayton, DE 19938-8903 USA
 Phone: 302-653-3000 or 800-441-8440 • Fax: 302-653-2065
 www.eaglegrp.com • www.eaglehmc.com

Printed in U.S.A.
 ©2021 by Eagle Group
 Rev. 05/21

Spec sheets available for viewing, printing or downloading from our online literature library at www.eaglegrp.com

Although every attempt has been made to ensure the accuracy of the information provided, we cannot be held responsible for typographical or printing errors. Information and specifications are subject to change without notice. Please confirm at time of order.